

Secure safety solutions

Tufvassons has a wide range of transformers and over fifty years' experience of making them ourselves. We can guide you to the correct power supply for alarms, access systems, camera surveillance and locking equipment. If you need a product that is not available, we will ensure it is made.

illustrative image



Safe power supply for signalling devices

The transformer is adapted for the security field and has high resistance to short-term overloading. It is ideal for supplying power to signalling devices, e.g. alarm bells. Installation is simple with connection to a wall socket as well as connection of polarised connector. Just like other Tufvassons products, the transformer has short circuit and overload protection. It also complies with the insurance companies' requirement for self-extinguishing plastic in the housing.

Type:	PFLF 24
Part. no.:	8512-0028
Input voltage:	230 V, 50-60 Hz; (N - L)
Output voltage:	12 V (dc)
Rated power:	24 VA (2A)
Weight:	1.2 kg
Encapsulation class:	IP30
Insulation class:	4.2 kV
Ambient temperature:	max. 40 °C.
Design:	<ul style="list-style-type: none"> - Transformer in grey encapsulation made from impact resistant, self extinguishing thermoplastics. - Double insulated (earth connection not required). - Short circuit and overload protection with PTC device. To reset tripped current protection, disconnect mains voltage for 10 seconds. - A filter condenser of 2,200 µF restricts the interference voltage. - Primary mains plug EURO for correct connection. - Secondary AMP female connection (for polarity see page 2)
Mounting:	Install in any position.
Manufacturing standard:	Security: EN 61 558-1; EN 61 558-2-6 Emissions: EN 61 000-6-3, IEC 62041 Immunity: EN 61 000-6-2, IEC 62041
Other information:	Fitting secondary cabling 2430-3121, 2430-3122, 2430-3130, 2430-3151 to be ordered separately. Before connecting ensure that the correct polarity is set. NOTE! not intended for charging accumulators.



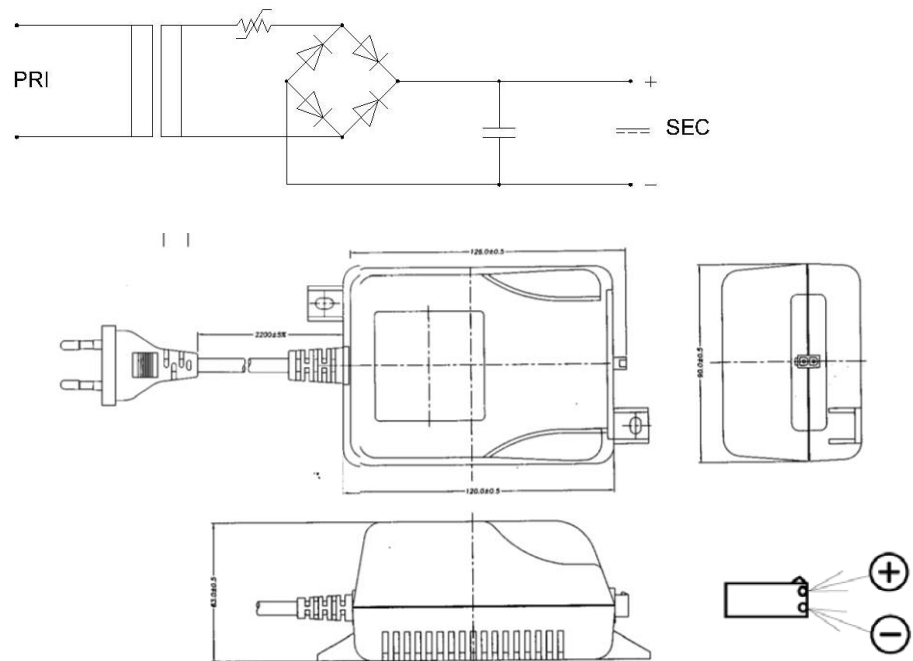
09/17



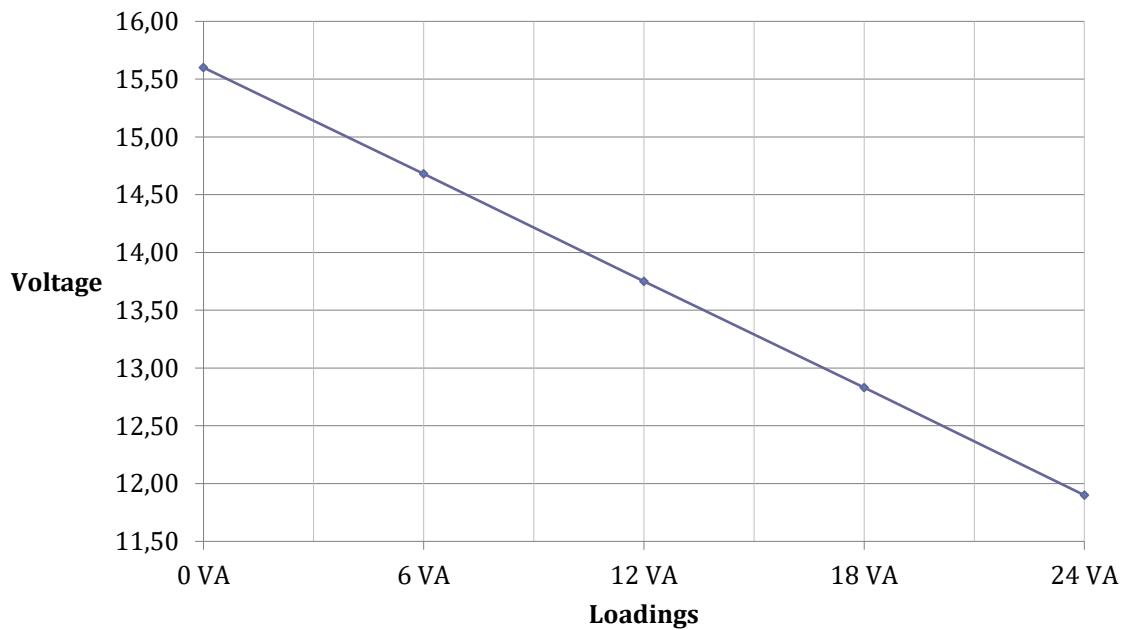
Tufvassons AB · Märstavägen 20 · 193 40 Sigtuna · Tel 08-594 809 00 · Fax 08-592 52 768
 E-post order@tufvassons.se · www.tufvassons.se

Ett företag inom ADDTECH-koncernen.

Wiring schedule and product illustration



Loading diagram



09/17



Tufvassons AB · Märstavägen 20 · 193 40 Sigtuna · Tel 08-594 809 00 · Fax 08-592 52 768
 E-post order@tufvassons.se · www.tufvassons.se

Ett företag inom ADDTECH-koncernen.