

Meets the requirements of the energy sector

Tufvassons has a wide range of transformers and over fifty years' experience of making them ourselves. We offer transformers for environments that set high requirements on isolation and safety, the energy sector for example. We help you to make the correct choice, and if you need a product that is not available, we ensure it is made.



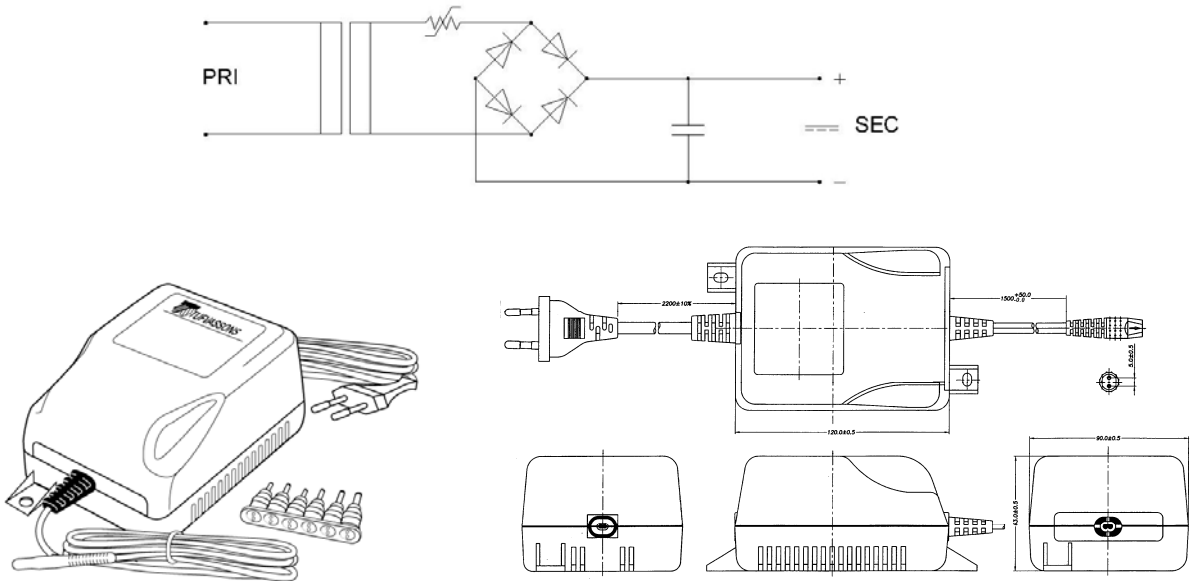
Ideal for low voltage installations

The transformer is used when there are greater demands on isolation and safety than normal and it has high resistance to short-term overloading. It is suitable for voltage feed in SELV and PELV installations such as monitoring systems, temperature control, lighting and alarms. Naturally, the transformer also has short-circuit and overload protection, as well as complying with the insurance companies' requirement for self-extinguishing plastic in the housing.

Type:	PFLF 24
Part. no.:	8524-0045
Input voltage:	230V, 50-60 Hz. N - L
Output voltage:	24V (dc)
Rated power:	24 VA (1 A)
Weight:	1.2 kg
Encapsulation class:	IP30
Insulation class:	4.2 kV
Ambient temperature:	max 40 °C
Design:	<ul style="list-style-type: none"> - Transformer in grey encapsulation made from impact resistant, self extinguishing thermoplastics. - Double insulated (earth connection not required). - Short circuit and overload protection with PTC device. To reset tripped current protection, disconnect mains voltage for 10 seconds. - A filter condenser of 2,200 µF restricts the interference voltage. - Primary mains plug with full profile for correct connection. - Secondary connection cable stand 1.8 m with switchable poles and replaceable battery eliminator plug, 6 different battery eliminator plugs provided. 3.5x1.35, 4.0x1.7, 5.0x2.1, 5.5x2.1, 5.5x2.5, 5.0x1.95 (DIN 45323).
Mounting:	Install in any position.
Manufacturing standard:	Security: EN 61 558-1; EN 61 558-2-6 Emissions: EN 61 000-6-3, IEC 62041 Immunity: EN 61 000-6-2, IEC 62041
Other information:	Before connecting ensure that the correct polarity is set. White marking on the secondary cable is minus. NB. not intended for charging accumulators.



Wiring schedule and product illustration



Loading diagram

