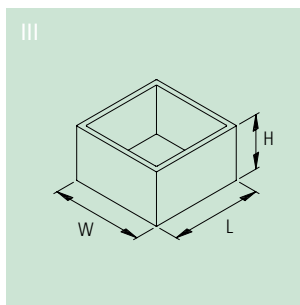
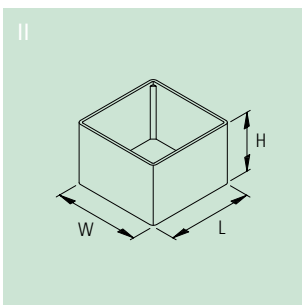
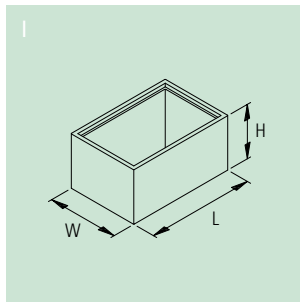




Black



## THE PRODUCT

The comprehensive range of boxes for potting electronic assemblies. With special cost advantages for series-type production.

Potted assemblies are protected from shock as well as temperature, dampness and chemical influences. The versions made of Duroplast are not highly resistant to fracture.

## YOUR ADVANTAGE

### Duroplast

Resistant to deformation and extreme temperatures.

### Polyamide 6.6

Good value for money. High-impact.

### ABS

Good value for money. Preferably for potting small assemblies.

## APPLICATIONS

For protecting and potting electronic assemblies.

# POTTING BOXES



## ENCLOSURES\*1

POTTING BOXES	Outside dim. in mm			Wall-thickness in mm	Version	Part-No.	
	L	W	H			case	lid
Duroplast	20	20	13.1	0.85	I	A 80 20 130	–
	25	25	14.8	0.8	I	A 80 25 150	–
	25	25	25	0.8	I	A 80 25 251	–
	30.2	20.15	15.1	0.95	I	A 80 30 150	A 81 30 200
	40.5	13.8	16.1	1.1	I	A 80 40 160	A 81 40 130
	40.2	13.55	25	0.85	I	A 80 40 250	A 81 40 130
	40	40	12.8	1.0	I	A 80 40 130	A 81 40 400
	40.2	40.2	20	1.0	I	A 80 40 200	A 81 40 400
	45.1	30.1	15	1.15	I	A 80 45 150	A 81 45 300
	45.1	30	24.9	1.1	I	A 80 45 250	A 81 45 300
	49.9	13.1	15	1.0	I	A 80 50 150	–
	50.15	50.15	15.1	1.3	I	A 80 50 160	A 81 50 500
	50.1	50.1	25.1	1.3	I	A 80 50 250	A 81 50 500
	50.7	50.7	49.7	1.7	I	A 80 50 500	A 81 50 500
	70	50.4	20	1.4	I	A 80 70 200	A 81 70 500
	70.6	50.4	35	1.4	I	A 80 70 350	A 81 70 500
	90.3	60.3	20	1.6	I	A 80 90 200	–
	100.1	50.2	24.8	1.5	I	A 80 10 250	–
	100.0	100.0	40	1.8	I	A 80 10 400	–
							case
PA 6.6	14	14	11.5	0.7	II	A 80 14 118	
	17.4	15	10.5	0.7	III	A 80 17 108	
	17.4	15	15.3	0.6	II	A 80 17 158	
	18.6	18.6	13.7	0.6	III	A 80 18 138	
	20.8	20.8	12.6	0.8	III	A 80 20 128	
	21.3	13.3	17.7	0.9	III	A 80 21 178	
	22.4	22.4	14	0.8	III	A 80 22 148	
	26.4	26.4	35.2	1.1	III	A 80 26 358	
	29	29	19.2	1.0	III	A 80 29 198	
	30.3	30.3	50.3	1.5	III	A 80 30 508	
	32.4	32.4	20	1.0	III	A 80 32 208	
	38.8	38.8	26.6	1.2	II	A 80 39 268	
	38.9	38.9	38.8	1.2	II	A 80 39 398	
	40	10	20.2	1.0	II	A 80 40 208	
	46.2	46.2	40.8	1.1	III	A 80 46 408	
	ABS	12.3	12.3	15.3	1.0	III	A 80 12 159
21.2		21.2	12.1	1.0	III	A 80 21 129	
25.3		25.3	15.2	1.0	III	A 80 25 159	
38.3		20.4	20.2	1.0	III	A 80 38 209	
45.5		30.5	15.7	1.2	III	A 80 45 169	
67.5		35.8	46.3	1.7	III	A 80 67 469	

\*1 cases supplied bulk packed