

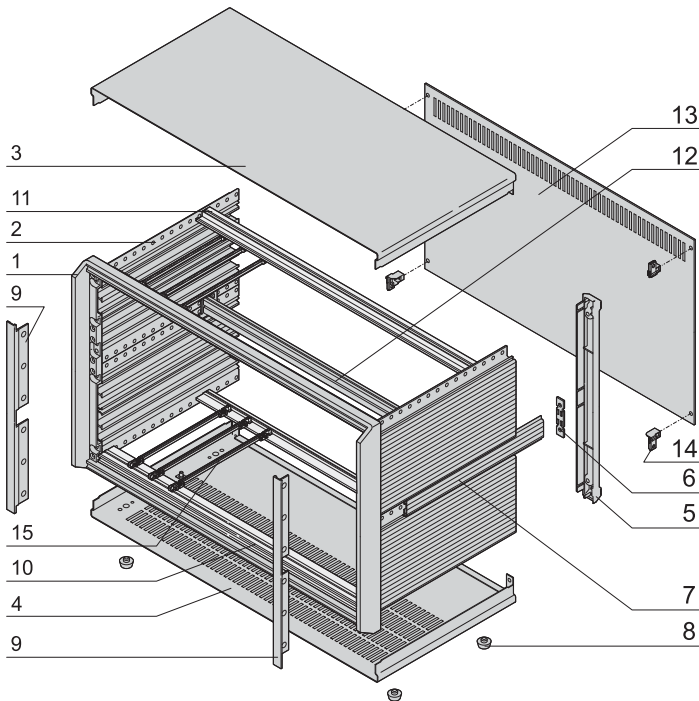
Desk-top enclosure - *propacPRO*

Complete cases, unshielded



3 U

05809004



05806105

Maximum mounting depth = D - 45
(Distance: front panel - rear panel)



ServicePLUS see page 5.4

- Desk-top case with pre-configured components, in accordance with IEC 60297-3-101; prepared for 19" components such as plug-in units and euroboards
- Ventilation slots in base plate
- Rear panel perforated

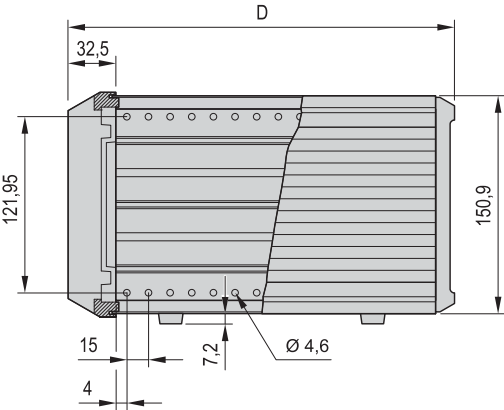
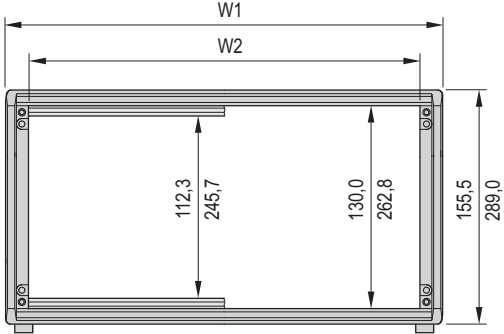
Delivery comprises (Items 1-7, 9 and 10 fitted)

| Item | Qty | | Description |
|------|-----------|-----------|--|
| | 3 U | 6 U | |
| 1 | 1 | 1 | Frame, Al die-cast, powder-coated, RAL 7016 |
| 2 | 2 | 4 | Side panel, Al extrusion, powder-coated, RAL 9006 |
| 3 | 1 | 1 | Cover plate, Al, 1 mm, internal surface conductive, visible surface powder-coated, RAL 9006, with GND/earthing tag |
| 4 | 1 | 1 | Base plate, Al, 1 mm, internal surface conductive, visible surface powder-coated, RAL 9006, with GND/earthing tag, base plate with 4 rows of ventilation slots |
| 5 | 2 | 2 | End piece for rear, ABS, RAL 7016, UL 94 V-0; can be used as a foot for use in vertical position |
| 6 | - | 2 | Adaptor bracket (only at 6 U) |
| 7 | - | 2 | Cover trim for side panel, Al extrusion, powder-coated, RAL 9006 |
| 8 | 4 | 4 | Case foot with anti-slip protection, PC, black, UL 94 V-0 |
| 9 | 2 | 2 | Lateral trim, Al extrusion, visible surface painted, RAL 7016 with EMC sealing (textile) |
| 10 | 2 | 2 | Horizontal rail, Al extrusion, with threaded insert, St, M2.5 |
| 11 | 2 | 2 | Rear horizontal rail, Al extrusion, with threaded insert, St, M2.5 and insulation strips, PBT, UL 94 V-0 (for indirect backplane mounting) |
| 12 | - | 1 | Centre horizontal rail, Al extrusion, anodised, conductive surfaces, with two threaded inserts, St, M2.5 and two insulation strips, PBT, UL 94 V-0 |
| 13 | 1 | 1 | Rear panel with perforation, Al, anodised, 2 mm at 28, 42 and 63 HP, 2.5 mm at 84 HP |
| 14 | 4 | 4 | Support member for rear panel, Zn die-cast |
| 15 | 10/ 20 | 10/ 20 | Guide rail for 160 mm board length, PBT, UL 94 V-0, 28/42 HP 10 pieces, 63/84 HP 20 pieces |
| 16 | 1 | 1 | GND/earthing kit |
| 17 | 1 | 1 | Assembly kit |

Desk-top enclosure - **propacPRO**

Complete cases, unshielded

Order Information



05809051

| Usable width W2 | Width W1 | Depth D | Height | Part no. | |
|-----------------|----------|---------|--------|----------|------------------|
| HP | mm | mm | mm | U | |
| 28 | 147.3 | 185.9 | 266 | 3 | 24576-001 |
| 28 | 147.3 | 185.9 | 326 | 3 | 24576-002 |
| 42 | 218.4 | 257 | 266 | 3 | 24576-003 |
| 42 | 218.4 | 257 | 326 | 3 | 24576-004 |
| 42 | 218.4 | 257 | 386 | 3 | 24576-005 |
| 63 | 325.1 | 363.7 | 266 | 3 | 24576-006 |
| 63 | 325.1 | 363.7 | 326 | 3 | 24576-007 |
| 63 | 325.1 | 363.7 | 386 | 3 | 24576-008 |
| 84 | 431.8 | 470.3 | 266 | 3 | 24576-009 |
| 84 | 431.8 | 470.3 | 326 | 3 | 24576-010 |
| 84 | 431.8 | 470.3 | 386 | 3 | 24576-011 |
| 84 | 431.8 | 470.3 | 446 | 3 | 24576-012 |
| 84 | 431.8 | 470.3 | 506 | 3 | 24576-013 |
| 84 | 431.8 | 470.3 | 326 | 6 | 24576-021 |
| 84 | 431.8 | 470.3 | 446 | 6 | 24576-022 |

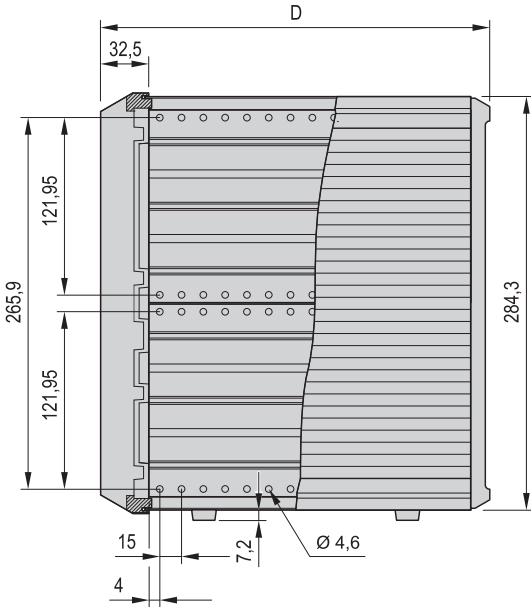
Maximum mounting depth = D - 45
(Distance: front panel - rear panel)

Note

- Dimension drawings of side panel see from page 5.53

3 U

05806060



6 U

05806062