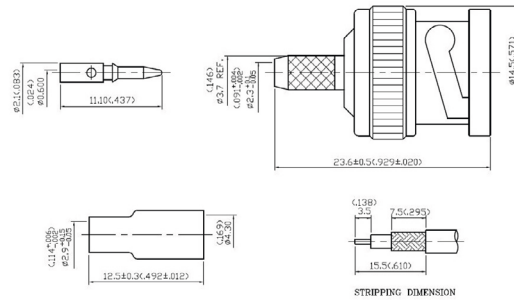
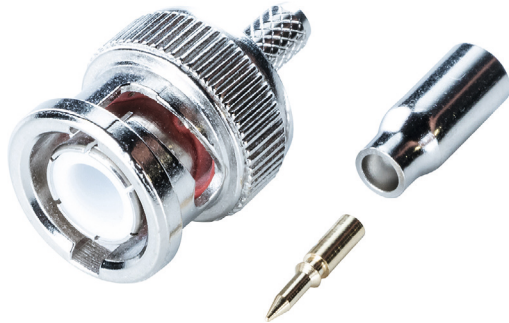


# HF Connectors



## Male Connector BNC 50 Ω, straight



**SPECIFICATION:**

Housing Material	Brass/Nickel-plated
Series	BNC
Frequency	4 GHz
Gender	Male
Insulation material	Teflon
Impedance	50 Ω
CAT Catalogue Description	2Crimp Ferrule - Brass, Nickel-plated - Gasket - Rubber, Red - Washer - Brass, Nickel-plated - Shell - Zinc, Nickel-plated - Spring Washer - Brass, Nickel-plated
Connector Design	straight
Connection, attachment	Crimp 1.8 mm
Connection, shield	Crimp 4.6 mm
Cable type	RG-174U
Contacts	gold-plated/Brass

**PRODUCT RANGE:**

Art. Nr.  
**RND 205-00420**