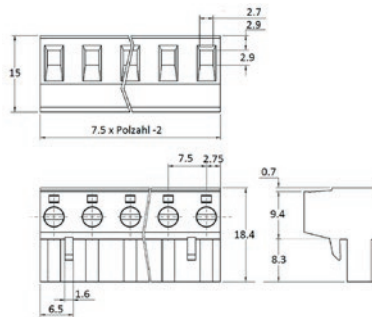


Pluggable Terminal Blocks

7.5 mm Pitch



Polarised mouldings

Withstand Voltage - AC2000V/1min

Tin plated brass pin/terminal

Screw/Torque - M3 Steel, Nickel Plated 0.4Nm

Guided pin alignment

Recommended PCB hole size ϕ 1.7 mm

SPECIFICATION:

Gender of contacts	Female
Rated current to EN	15 A
Pitch	7.5 mm
Component type	Wire socket 90°
Termination type	Screw Connection
Connection direction	vertical
Rated voltage to EN	250 V
Combustibility class	UL 94 V-0
Colour	green
Temperature range	-33...+120 °C
Cross-section max.	3.31 mm ²
Cross-section min.	0.2 mm ²
Connection cross-section	0.2-3.31 mm ² (24-12AWG)

PRODUCT RANGE:

Art. Nr.	Poles	A	Length
RND 205-00265	2	13 mm	13 mm
RND 205-00266	3	20.5 mm	20.5 mm
RND 205-00267	4	28 mm	28 mm
RND 205-00268	5	35.5 mm	35.5 mm
RND 205-00269	6	43 mm	43 mm
RND 205-00271	8	58 mm	58 mm
RND 205-00272	9	65.5 mm	65.5 mm