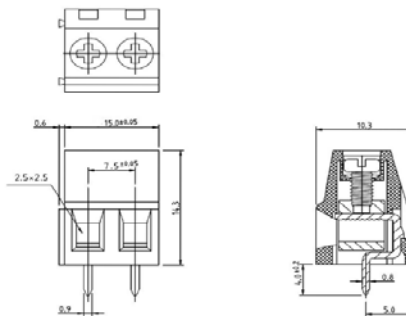


PCB Terminal Blocks

7.5 mm Pitch, Standard



Standard profile

2 & 3 pole double interlocking mechanism for increased strength

4-12 solid block end stackable

Guided pin alignment

Withstand Voltage - AC1500V/1min

Pin/Terminal - Tin plated brass

Wire clamp - Nickel plated brass

Screw/Torque - M2.5 Steel, Nickel Plated 0.4Nm

Recommended PCB hole size ϕ 1.5 mm

SPECIFICATION:

| | |
|--------------------------|--------------------------------------|
| Pitch | 7.5 mm |
| Termination type | Clamp Terminals/Screw Connection |
| Connection direction | horizontal |
| Rated current to EN | 10 A |
| Rated current to UL | 10 A |
| Rated voltage to EN | 300 V |
| Rated voltage to UL | 300 V |
| Connection cross-section | 0.33-3.3 mm ² (22-12 AWG) |
| Colour | green |
| Temperature range | -33...+120 °C |
| Width | 10.2 mm |
| Height | 14.35 mm |
| Material | PA 66, UL94-V0 |

PRODUCT RANGE:

| Art. Nr. | Poles | Length |
|---------------|-------|---------|
| RND 205-00067 | 2 | 15 mm |
| RND 205-00068 | 3 | 22.5 mm |
| RND 205-00069 | 4 | 30 mm |
| RND 205-00070 | 5 | 37.5 mm |
| RND 205-00071 | 6 | 45 mm |
| RND 205-00072 | 7 | 52.5 mm |
| RND 205-00073 | 8 | 60 mm |
| RND 205-00074 | 9 | 67.5 mm |
| RND 205-00075 | 10 | 75 mm |
| RND 205-00076 | 11 | 82.5 mm |
| RND 205-00077 | 12 | 90 mm |