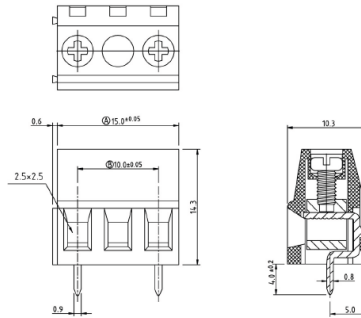


PCB Terminal Blocks

PCB Terminal Block P10 mm



FEATURES:

- Standard profile
- 2-12 pole interlocking
- For high voltage operation
- Withstand Voltage - AC1500V/1min
- Pin/Terminal - Tin plated brass
- Wire Clamp - Nickel plated brass
- Screw/Torque - M2.5 Steel, Nickel Plated 0.4Nm
- Recommended PCB hole size $\phi 1.5$ mm
- Guided pin alignment

SPECIFICATION:

Rating to EN	10 A @ 300 V
Rating to UL	10 A @ 300 V
Pitch	10 mm
Connection cross-section	0.32-3.3 mm ² (22-12 AWG)
Termination type	Clamp Terminals/Screw Connection
Material	PA 66, UL94-V0
Colour	green
Temperature range	-33...+120 °C

PRODUCT RANGE:

Art. no.	Pole no.	Length
RND 205-00078	2	15.2 mm
RND 205-00079	3	25 mm
RND 205-00080	4	35 mm
RND 205-00081	5	45 mm
RND 205-00082	6	55 mm
RND 205-00083	7	75 mm
RND 205-00084	8	85 mm
RND 205-00085	9	95 mm
RND 205-00086	10	105 mm
RND 205-00087	11	115 mm
RND 205-00088	12	125 mm