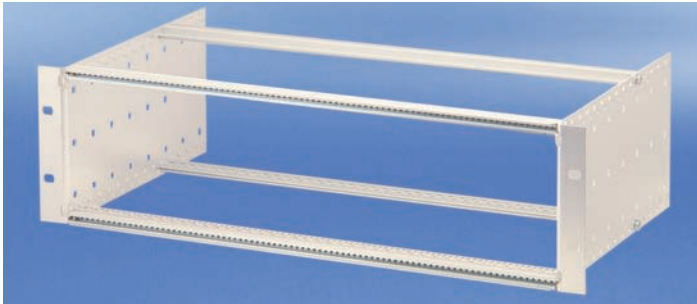


# Subracks - *europac* PRO

Kit, "light", unshielded, for backplane mounting



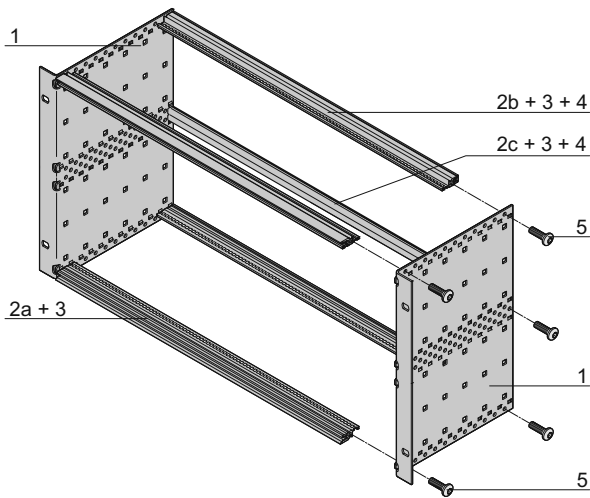
06111002

- Subrack with side panel type L ("light") with firmly fixed 19" brackets
- Rear horizontal rails for backplane mounting with insulation strip
- Installed load up to 7.5 kg
- Cost-optimised

**NEW**

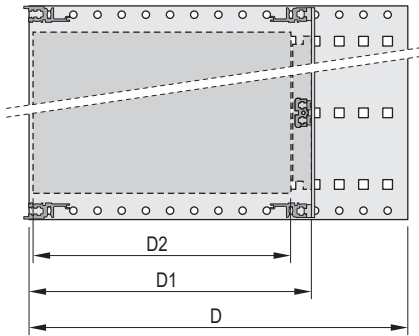
## Delivery comprises (Kit)

Item	Qty		Description
	3 U	6 U	
1	2	2	Side panel type L, Al, 2 mm, passivated, with built-in 19" support bracket
2a	2	2	Front horizontal rail (L-KD)
2b	2	2	Rear horizontal rail (L-ST)
2c	-	1	Rear horizontal rail centre (ST)
3	4	6	Threaded insert, front and rear (pre-fitted)
4	2	4	Insulation strip (pre-fitted)
5	1	1	Fixing material kit, user manual



06111056

6 U



06108051

D = overall depth, D1 = insertion depth, D2 = board depth = D1 - 15 mm



04400001

Rear horizontal rail for backplane mounting with insulation strip

## Order Information

Height U	Width HP	Depth D mm	Depth D1 mm	Part no.
3	84	175	175	24564-131
3	84	235	175/235	24564-132
3	84	295	175/235/295	24564-133
6	84	175	175	24564-431
6	84	235	175/235	24564-432
6	84	295	175/235/295	24564-433

## Accessories

<b>19" assembly kit (screw, washer, nut) (8 x screws, 8 x plastic washers, 8 x cage nuts)</b>	21100-435
---	-----------

## Guide rails (standard), ESD clips

Depth D2 mm	Qty/PU piece	Part no.
160	10	24560-351
220	10	24560-353
280	10	24560-379
<b>ESD clips for guide rails PU 50 pieces</b>		24560-255

## Cover plates for insertion in horizontal rails (type L)

Depth D2 mm	Width HP	Qty/PU piece	Part no.
160	84	2	24561-051
220	84	2	24561-052

## Note

- Subrack is not prepared for shielding
- ServicePLUS configuration from page 6.16



For further information [www.schroff.biz/oneclick](http://www.schroff.biz/oneclick)  
oneClick search code = Part no.



ServicePLUS see page 6.16