

# Subracks - *europac* PRO

Kit, "flexible", unshielded,  
for connector mounting

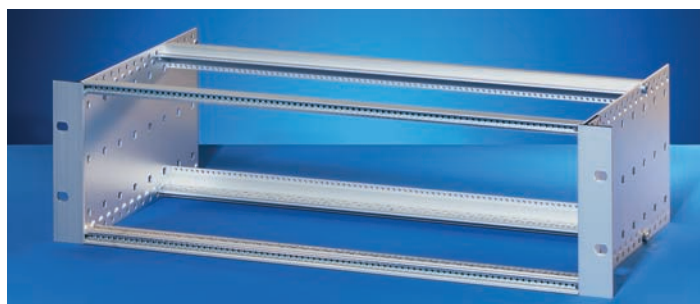


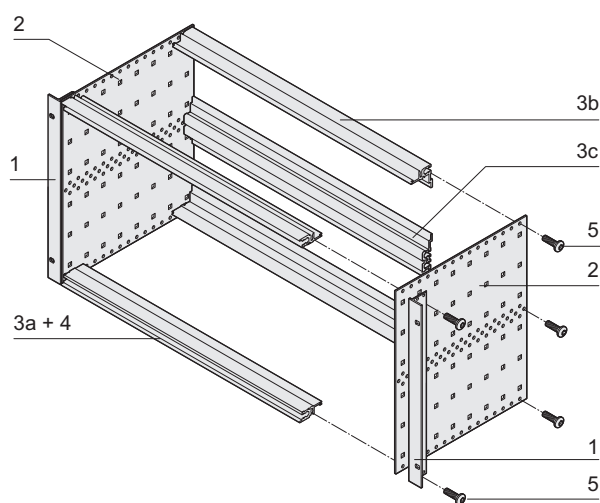
Photo: 3 U subrack

06105001

- Subrack with side panel type F ("flexible"), 19" bracket is depth-adjustable
- Rear horizontal rails for connector mounting (IEC 60603-2 / DIN 41612)
- Installed load up to 11 kg

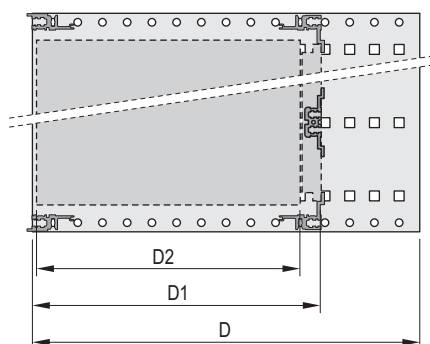
### Delivery comprises (kit)

Item	Qty		Description
	3 U	6 U	
1	2	2	19" support bracket, Al extrusion, for EMC gasket (St, stainless)
2	2	2	Side panel type F, Al, 2 mm
3a	2	2	Front horizontal rail (L-KD)
3b	2	2	Rear horizontal rail (L-MZ) for connector mounting
3c	-	1	Centre horizontal rail (MZ)
4	2	2	Threaded insert to front (pre-fitted)
5	1	1	Fixing material kit, user manual



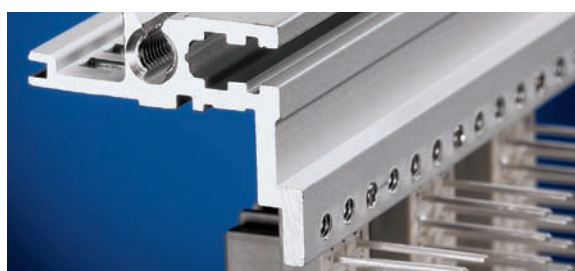
06105054

6 U



06108050

D = overall depth, D1 = insertion depth,  
D2 = board depth = D1 - 15 mm



04400003

Horizontal rail to rear for connector mounting

### Order Information

Height U	Width HP	Depth D mm	Depth D1 mm	Part no.
3	84	175	175	24563-191
3	84	235	175/235	24563-192
3	84	295	175/235/295	24563-193
3	84	355	175/235/295/355	24563-194
6	84	175	175	24563-491
6	84	235	175/235	24563-492
6	84	295	175/235/295	24563-493
6	84	355	175/235/295/340	24563-494

### Accessories

**19" assembly kit (screw, washer, nut)** (8 x screws, 8 x plastic washers, 8 x cage nuts) 21100-435

### Guide rails (standard), ESD clips

Depth D2 mm	Qty/PU piece	Part no.
160	10	24560-351
220	10	24560-353
280	10	24560-379
340	10	24560-380

**ESD clip for guide rails PU 50 pieces** 24560-255

### Cover plates for insertion in horizontal rails (type L)

Depth D2 mm	Width HP	Qty/PU piece	Part no.
160	84	2	24561-051
220	84	2	24561-052

### Note

- ServicePLUS configuration from page 6.16



For further information [www.schroff.biz/oneclick](http://www.schroff.biz/oneclick)  
OneClick search code = Part no.



ServicePLUS see page 6.16