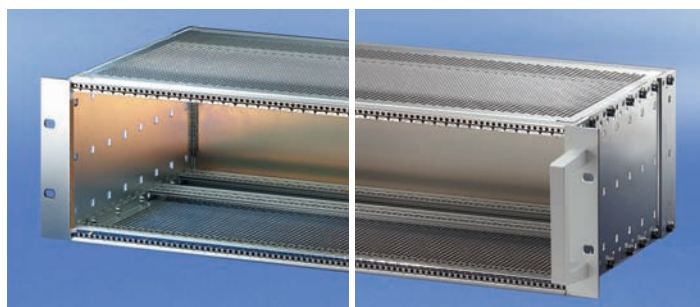


# Subracks - *europac* PRO

Kit, "heavy", shielded,  
for backplane mounting



Without front handle

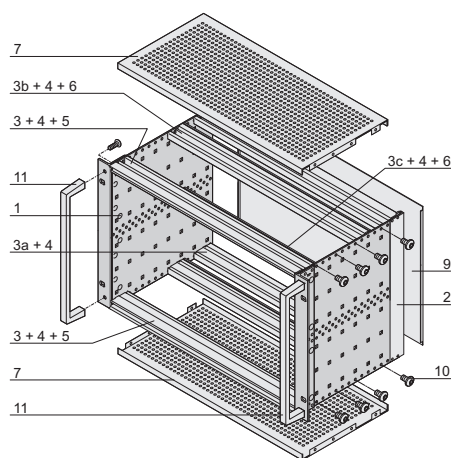
With front handle

06102008

06111001

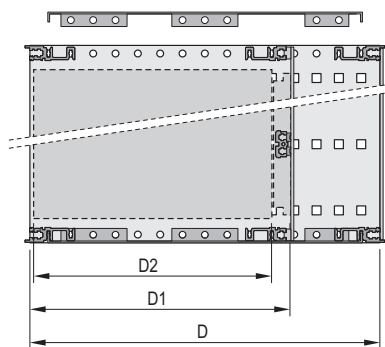
- Subrack with side panel type H ("heavy"), 19" bracket is firmly fixed to side panel (tox-cold welded)
- Rear horizontal rail for backplane mounting with insulation strip
- Shielding typically 40 dB at 1 GHz, 30 dB at 2 GHz, assuming that the front is closed with sealed front panels
- Shock and vibration resistance up to 5 g
- Installed load up to 15 kg
- Versions with/without front handles

**NEW**



6 U

06111008



06108060

D = overall depth, D1 = insertion depth,  
D2 = board depth = D1 - 15 mm



04400001

Rear horizontal rail for backplane mounting with insulation strip

## Delivery comprises (Kit)

Item	Qty		Description
	3 U	6 U	
1	2	2	Side panel type H, Al, 2 mm, passivated, with 19" support bracket (tox-cold welded); for textile EMC gasket
2	2	2	Rear corner profile for textile EMC gasket
3	2	2	Front horizontal rail (H-KD)
3 a	2	2	Rear horizontal rail (H-KD)
3 b	2	2	Rear horizontal rail (H-ST)
3 c	-	1	Rear horizontal rail centre (ST)
4	6	8	Threaded insert (pre-fitted)
5	2	2	Perforated strip (pre-fitted)
6	2	4	Insulation strip (pre-fitted)
7	2	2	EMC cover plate
8	1	1	EMC gasketing material (pre-fitted)
9	1	1	EMC rear panel
10	1	1	Fixing material kit, user manual
11	2	2	Front handle (on version with front handle only)

## Order Information

Height U	Width HP	Depth D mm	Depth D1 mm	Part no. with front handle	Part no. without front handle
3	84	235	175/235	24567-172	24563-172
3	84	295	175/235/295	24567-173	24563-173
3	84	355	175/235/295	24567-174	24563-174
6	84	235	175/235	24567-472	24563-472
6	84	295	175/235/295	24567-473	24563-473
6	84	355	175/235/295	24567-474	24563-474

## Accessories

**19" assembly kit (screw, washer, nut)** ( 8 x screws, 8 x plastic washers, 8 x cage nuts) 21100-435

## Guide rails (standard), ESD clips

Depth D2 mm	Qty/PU piece	Part no.
160	10	24560-351
220	10	24560-353
280	10	24560-379

**ESD clip for guide rails** PU 50 pieces 24560-255

**Torx panhead screw**, for extra bolting of the guide rails, 2.5 x 9.3, zinc-plated, PU 100 pieces; torque max. 0.2 Nm 24560-141

## Note

- ServicePLUS configuration from page 6.16



ServicePLUS see page 6.16