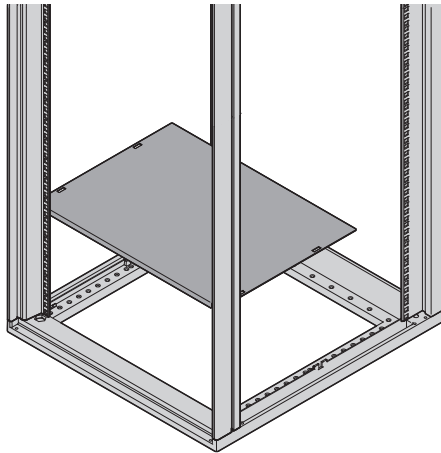


Cabinets - NOVASTAR

Base (open at rear)



- The base is open at rear for cable ducting; opening can be closed with a cover plate or brush strip

Delivery comprises

Item	Qty	Description
1	1	Base plate, St, 1.5 mm, RAL 7021; cable through-ducting opening, width 440 mm, depth 70 mm
2	1	Assembly kit

Order Information

For cabinet width mm	For cabinet depth mm	Part no.
553	500	27230-091
553	600	27230-092
553	800	27230-093

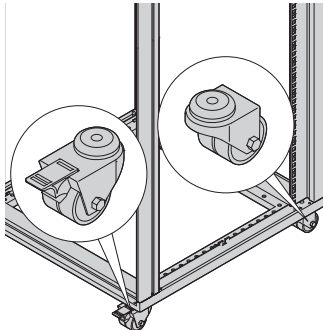
Accessories

Brush strip Nylon, black, 440 mm x 98 mm PU 1 piece	27230-079
Cover plate for base St, 1.5 mm, 485 mm x 92 mm, RAL 7021, PU 1 piece	27230-114

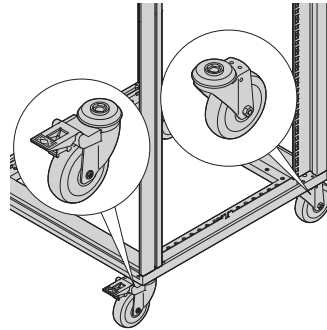


For further information www.schroff.biz/oneclick
oneClick search code = Part no.

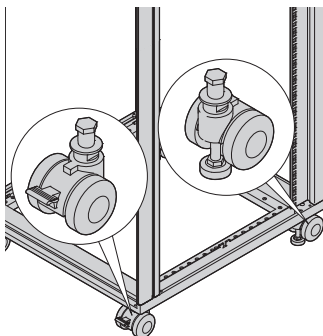
Castors



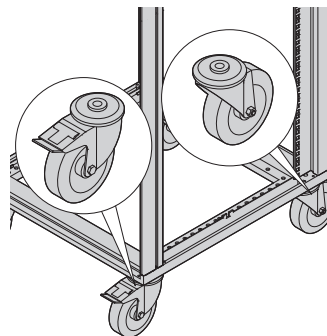
07011065
Load-carrying capacity 200 kg



07011066
Load-carrying capacity 300 kg,
conductive,
ESD resistance < 10 kΩ



07011067
Load-carrying capacity 400 kg,
with adjustable feet



07011068
Load-carrying capacity 400 kg

- Castors are fitted to the frame
- Static load-carrying capacity 200 kg, 300 kg or 400 kg depending on version
- Height dependent on version 73 mm, 80 mm, 131 mm or 155 mm
- 2 castors without jacking foot, 2 castors with jacking foot

Delivery comprises

Item	Qty	Description
1	2	Locking castor, PA/St
2	2	Non-locking castor, PA/St
3	1	Assembly kit

Order Information

Description	Load-carrying capacity kg	Height H mm	Castor diameter mm	Part no.
Castors	200	73	Ø 50	27230-067
Castors, conductive, ESD resistance < 10 kΩ to EN 12528	300	131	Ø 100	27230-110
Castors with adjustable feet	400	80	Ø 60	27230-068
Castors	400	155	Ø 125	27230-069



For further information www.schroff.biz/oneclick
oneClick search code = Part no.