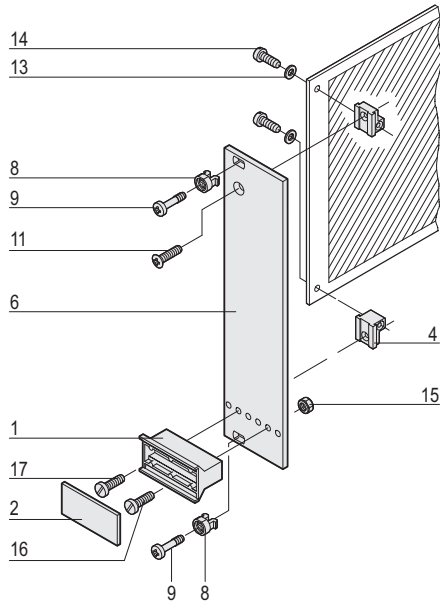


Plug-in units – for IEC 60297, trapeziform

Kits

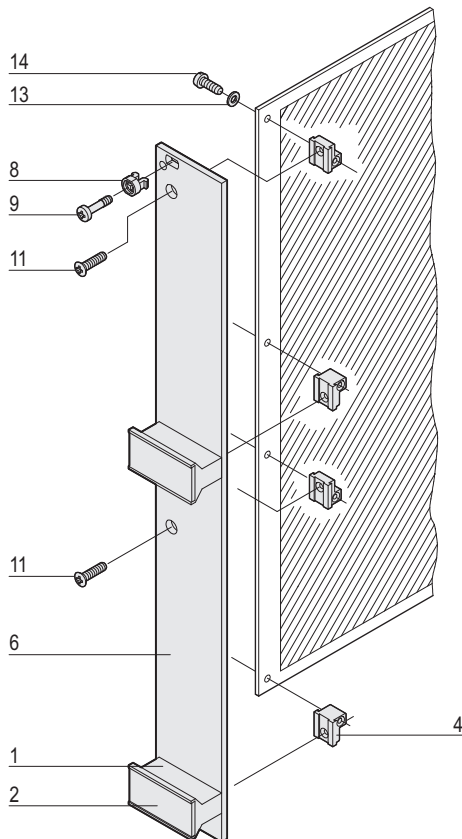
Plug-in unit with static trapeziform handle

3 U



04602064

6 U



04602065

- Front panel unshielded
- Handle without extraction function

Delivery comprises

Item	Qty	3 U	6 U	Description
1	1	2		Plastic handle, trapeziform, PPE, grey
2	1	2		Identification plate, Al, 1.5 mm, anodised, cut edges untreated
4	2	4		Board support, die-cast zinc
6	1	1		Front panel for trapeziform handle, front anodised, rear iridescent green chromated
8	2	2		Sleeve, PA, grey, up to 7 HP front panel width
8	4	4		Sleeve, PA, grey, from 8 HP front panel width
9	2	2		Pozidrive/slotted collar screw, St, nickel-plated, M2.5 × 11 and 12.3, front panel width up to 7 HP
9	4	4		Pozidrive/slotted collar screw, St, nickel-plated, M2.5 × 11 and 12.3, front panel width from 8 HP
11	1	2		Raised countersunk screw, St, nickel-plated, M2.5 × 8
13	2	4		Washer, A2.7
14	2	4		Pozidrive flathead screw, St, nickel-plated, M2.5 × 8
15	1	2		Hexagon nut, St, nickel-plated, M2.5
16	1	2		Pozidrive flathead screw, St, nickel-plated, M2.5 × 12
17	1	2		Pozidrive flathead screw, St, nickel-plated, M2.5 × 16

Order Information

Width	3 U	6 U
HP	Part no.	Part no.
3	20818-017	20809-507
4	20818-018	20818-025
5	20818-019	20818-026
6	20818-020	20818-027
7	20818-021	20818-162
8	20818-022	20818-028
10	20818-023	20818-029
12	20818-024	20818-120



For further information www.schroff.biz/oneclick
oneClick search code = Part no.