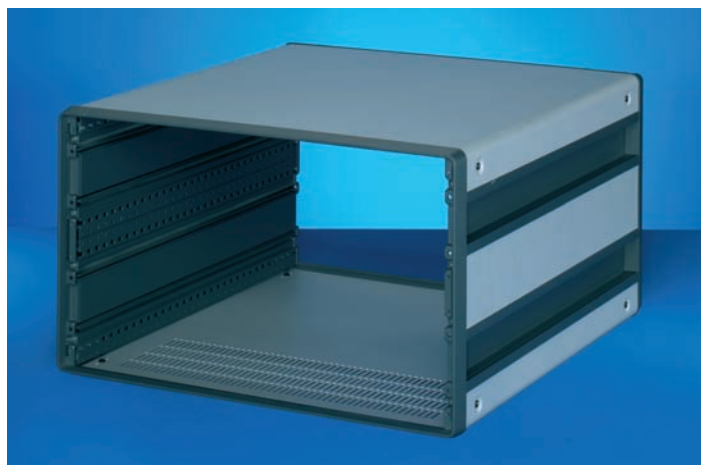


## Desk-top cases - *compacPRO*

### 6 U cases

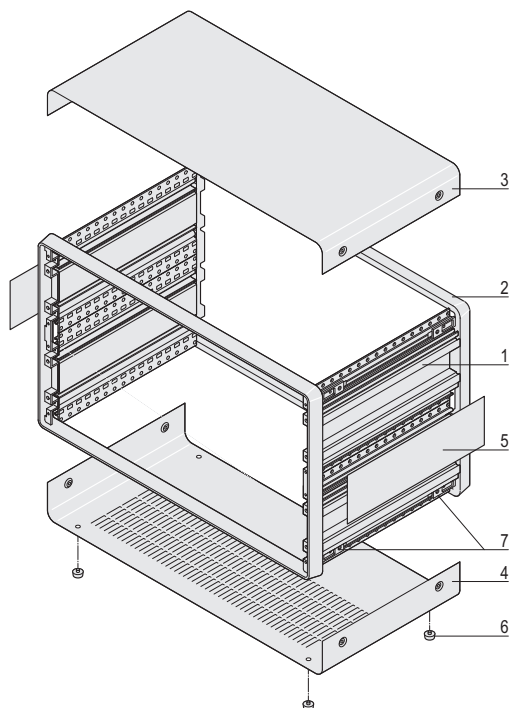


02004006

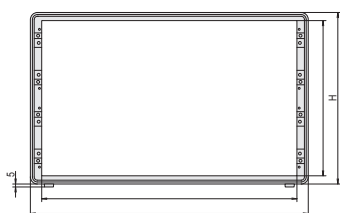
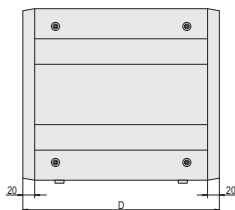
- Desk-top case, pre-configured, for individual assembly
- For backplane mounting with insulation strips
- Ventilation slots in base plate

**Delivery comprises** (Kit items 1, 2 and 5 fitted)

Item	Qty	Description
1	4	Side panel parts, Al extrusion, powder-coated, RAL 7016, 2 x 3 U
2	2	Frame, Al die-cast, powder-coated, RAL 7016
3	1	Cover plate, Al, 1.5 mm, powder-coated, RAL 9006, with GND/earthing tag
4	1	Base plate with 4 rows of ventilation slots, Al, 1.5 mm, powder-coated, RAL 9006, with GND/earthing tag
5	2	Side plate, Al, 0.8 mm, powder-coated, RAL 9006
6	4	Case foot with anti-slip protection, PC, black
7	8	Fixing adaptor for cover plate, prefitted
8	1	Assembly kit also allows the fitting of a full-width front panel, two cover brackets or a rear panel



02004055



02004056

### Order Information

Usable width	Width W	Width w	Height H	Height h	Depth D	Part no.
63	364	326	280.5	262.9	331	14575-445
63	364	326	280.5	262.9	391	14575-447
84	471	432	280.5	262.9	271	14575-463
84	471	432	280.5	262.9	331	14575-465
84	471	432	280.5	262.9	391	14575-467
84	471	432	280.5	262.9	451	14575-469
84	471	432	280.5	262.9	511	14575-471



For further information [www.schroff.biz/oneclick](http://www.schroff.biz/oneclick)  
oneClick search code = Part no.



ServicePLUS see page 5.4