

# Reliable isolation transformers from Tufvassons

Tufvassons has a wide range of transformers and over fifty years' experience of making them ourselves. We offer isolation transformers of the highest quality for fixed installation, mounting on a DIN rail, as well as movable versions that are connected with a mains cable. Select products yourself or have our staff guide you to the right power supply.



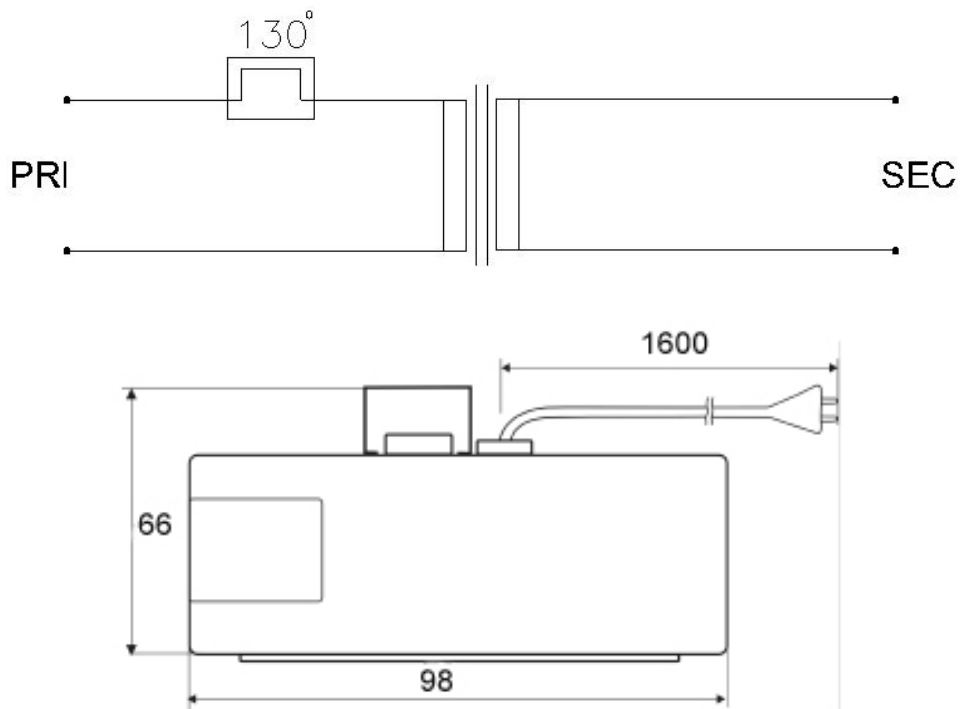
## Optimum isolation, removes interference

The isolation transformer is used when you need to adapt one voltage level to another one, or separate a protective earth from a system earth. It provides optimum isolation, minimises interference and is simple to install – including in the USA thanks to its USA-compatible outlet that is used for 110-volt products. Just like Tufvassons' other products, the isolation transformer is CE-marked and also has short circuit and overload protection.

<b>Type:</b>	<b>TEZ 100</b>						
<b>Part. no.:</b>	<b>6745-0043</b>						
<b>Input voltage:</b>	230V, 50-60 Hz.						
<b>Output voltage:</b>	110V						
<b>Rated power:</b>	100VA (0,9A)						
<b>Weight:</b>	1.4 kg						
<b>Encapsulation class:</b>	IP30						
<b>Insulation class:</b>	4.2 kV						
<b>Ambient temperature:</b>	max. 40°C						
<b>Design:</b>	<ul style="list-style-type: none"> <li>· Transformer potted in hard-setting plastic, with grey encapsulation made from impact resistant, self extinguishing thermoplastics.</li> <li>· Double insulated (earth connection not required).</li> <li>· Short circuit and overload protection with thermo protection.</li> <li>· Primary mains cable with European mains plug.</li> <li>· Fully enclosed secondary 2-pole American outlet.</li> </ul>						
<b>Mounting:</b>	Install in any position.						
<b>Manufacturing standard:</b>	<table> <tr> <td>Security:</td> <td>EN 61558-1; EN 61558-2-4</td> </tr> <tr> <td>Emissions:</td> <td>EN 61 000-6-3; EN 61 000-6-4, IEC 62041</td> </tr> <tr> <td>Immunity:</td> <td>EN 61 000-6-1; EN 61 000-6-2, IEC 62041</td> </tr> </table>	Security:	EN 61558-1; EN 61558-2-4	Emissions:	EN 61 000-6-3; EN 61 000-6-4, IEC 62041	Immunity:	EN 61 000-6-1; EN 61 000-6-2, IEC 62041
Security:	EN 61558-1; EN 61558-2-4						
Emissions:	EN 61 000-6-3; EN 61 000-6-4, IEC 62041						
Immunity:	EN 61 000-6-1; EN 61 000-6-2, IEC 62041						
<b>Other information:</b>	If the mains cable or plug is damaged, the transformer must be destroyed/recycled.						



## Wiring schedule and product illustration



## Loading diagram

