

Reliable isolation transformers from Tufvassons

Tufvassons has a wide range of transformers and over fifty years' experience of making them ourselves. We offer isolation transformers of the highest quality for fixed installation, mounting on a DIN rail, as well as movable versions that are connected with a mains cable. Select products yourself or have our staff guide you to the right power supply.



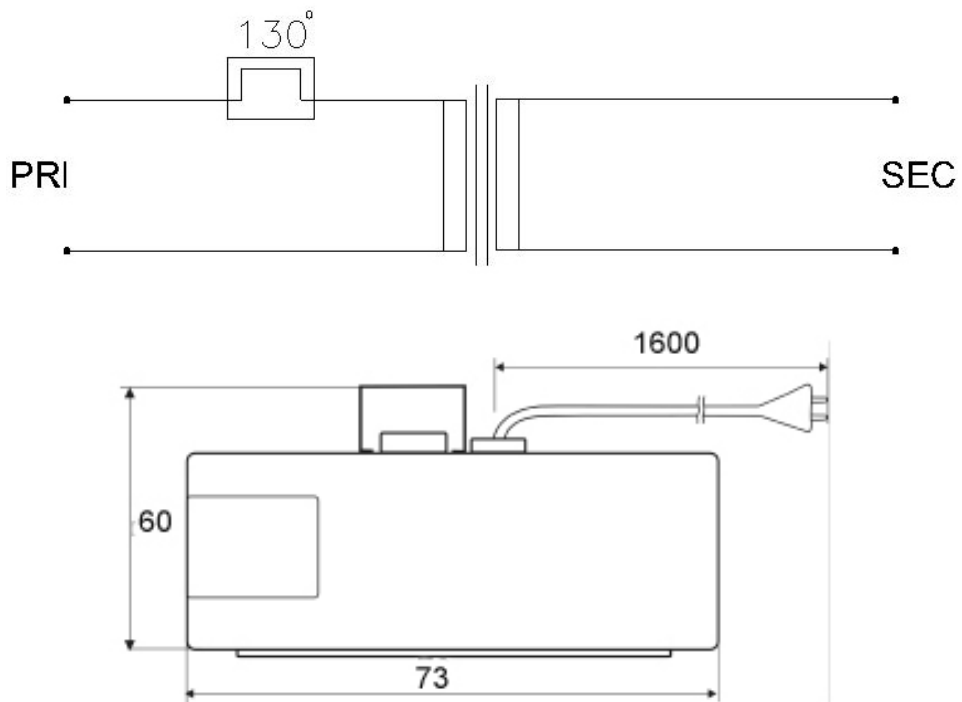
Optimum isolation, removes interference

The isolation transformer is used when you need to adapt one voltage level to another one, or separate a protective earth from a system earth. It provides optimum isolation, minimises interference and is simple to install – including in the USA thanks to its USA-compatible outlet that is used for 110-volt products. Just like Tufvassons' other products, the isolation transformer is CE-marked and also has short circuit and overload protection.

| | | | | | | | |
|--------------------------------|---|-----------|--------------------------|------------|---|-----------|---|
| Type: | TEZ 35 | | | | | | |
| Part. no.: | 6745-0041 | | | | | | |
| Input voltage: | 230V, 50-60 Hz. | | | | | | |
| Output voltage: | 110V | | | | | | |
| Rated power: | 35VA (0,3A) | | | | | | |
| Weight: | 0.6 kg | | | | | | |
| Encapsulation class: | IP30 | | | | | | |
| Insulation class: | 4.2 kV | | | | | | |
| Ambient temperature: | max. 40°C | | | | | | |
| Design: | <ul style="list-style-type: none"> · Transformer potted in hard-setting plastic, with grey encapsulation made from impact resistant, self extinguishing thermoplastics. · Double insulated (earth connection not required). · Short circuit and overload protection with thermo protection. · Primary mains cable with European mains plug. · Fully enclosed secondary 2-pole American outlet. | | | | | | |
| Mounting: | Install in any position. | | | | | | |
| Manufacturing standard: | <table> <tr> <td>Security:</td> <td>EN 61558-1; EN 61558-2-4</td> </tr> <tr> <td>Emissions:</td> <td>EN 61 000-6-3; EN 61 000-6-4, IEC 62041</td> </tr> <tr> <td>Immunity:</td> <td>EN 61 000-6-1; EN 61 000-6-2, IEC 62041</td> </tr> </table> | Security: | EN 61558-1; EN 61558-2-4 | Emissions: | EN 61 000-6-3; EN 61 000-6-4, IEC 62041 | Immunity: | EN 61 000-6-1; EN 61 000-6-2, IEC 62041 |
| Security: | EN 61558-1; EN 61558-2-4 | | | | | | |
| Emissions: | EN 61 000-6-3; EN 61 000-6-4, IEC 62041 | | | | | | |
| Immunity: | EN 61 000-6-1; EN 61 000-6-2, IEC 62041 | | | | | | |
| Other information: | If the mains cable or plug is damaged, the transformer must be destroyed/recycled. | | | | | | |



Wiring schedule and product illustration



Loading diagram

