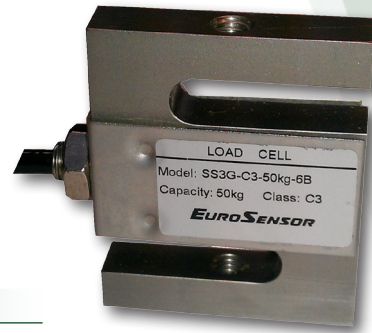


# Load Cell - SS3 Series



- S-type tension & compression load cell
- 50 kg - 10 t
- Stainless steel construction
- Robust design to industrial standards
- IP67 protection

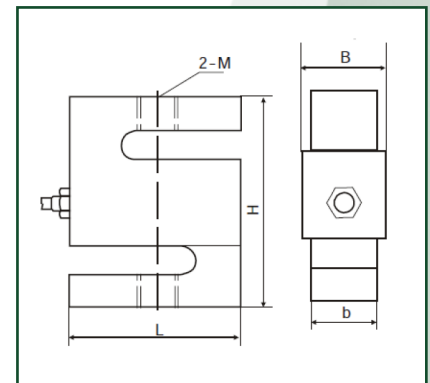


## Specification

Output sensitivity (= FS)	mV/V	3.0 ± 0.008
Maximum capacity (E <sub>max</sub> )	kg	0..50 kg-10 t
Combined Error	%FS	< ± 0.020
Typical life cycle		10 Mio
Minimum dead load	kg	0
Safe overload	of E <sub>max</sub>	150%
Ultimate overload	of E <sub>max</sub>	300%
Zero balance	of FS	<± 1.0 %
Excitation, recommended voltage	V	5 - 12
Excitation maximum	V	18
Terminal resistance, input	Ω	430 ± 60
Terminal resistance, output	Ω	351 ± 2
Insulation impedance	MΩ	≥ 5000 ( at 50VDC )
Temperature range, compensated	°C	-10...+40
Temperature range, operating	°C	-30... +65
Element material		Stainless Steel
Ingress Protection (according to EN 60529)		IP67

## Outline dimensions in mm

Dimension	L	H	b	B	M
Capacity in mm					
50 kg	50.8	60.96	11.68	15.06	M8
100 kg	50.8	60.96	11.68	15.06	M8
250 kg	50.8	60.96	18.03	21.41	M12
500 kg	50.8	60.96	18.03	21.41	M12
1 t	50.8	60.96	24.38	27.76	M12
2.5 t	76.2	99.06	24.38	27.76	M20x1.5
5 t	74.68	99.06	30.74	34.12	M20x1.5
7.5 t	87.38	139.7	37.08	40.46	M24x2
10 t	112.78	177.8	42.93	46.31	M30x2

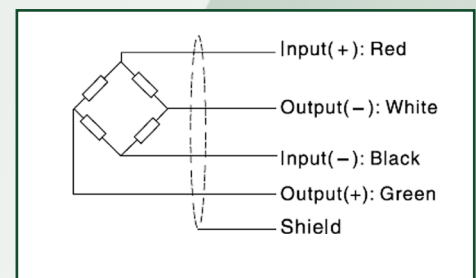


## Ordering information

Sample Code: SS3G - xxkg - C3

Type	Range	Accuracy
SS3G - Stainless steel	50 kg 100 kg 250 kg 500 kg	1 t 2,5 t 5 t 7,5 t 10 t
		C3 ± 0.020%FS

## Wiring



- Shielded 4 Conductor cable 5mm OD
- Standard cable length 6m
- Cable type and cable length for customers own application are available on request
- Shield not connected to element