

Electronic Audible Signal Devices / Electronic Buzzers Installation 107
Installation Buzzer Contin. 115-230VAC


Part No.: 107.000.60

**MECHANICAL DATA**

Height	61 mm
Diameter	28 mm
Materials	PA-GF
Housing colour	Black
Protection category	IP65
Connection	Screw terminals
cross-sectional area maximum	1,50mm ² / 16AWG
Type of fixing	Built-in mounting
Working temperature minimum	-20°C
Working temperature maximum	+50°C
Weight with packaging	32 g
Product weight	20 g

ELECTRICAL DATA

Operating voltage	115-230V
Operating voltage type	AC
Operating voltage frequency	50Hz at 230V
Operating voltage tolerance	+/- 10%
Rated operational voltage	230 VAC
Rated operational current	12 mA
Rated inrush current	360 mA
Protection class	Protection class 2
Pollution degree	3 In the connection area: 2
Isolation voltage	Ui = 250V; Uimp = 2.500V

ACUSTICAL DATA

Volume (max) at 1m distance	60,0 dB (A)
Volume (max) at 10cm distance	80,0 dB (A)
Acoustic signal image	Continuous tone
Number of tones	1 tone
Audio frequency	2400 Hz
Acoustic service life	5,000 h minimum

APPROVAL DATA

Conforms with CE	Yes
WEEE	Yes
Conforms with RED directive	No
Conform with ATEX-directive	No

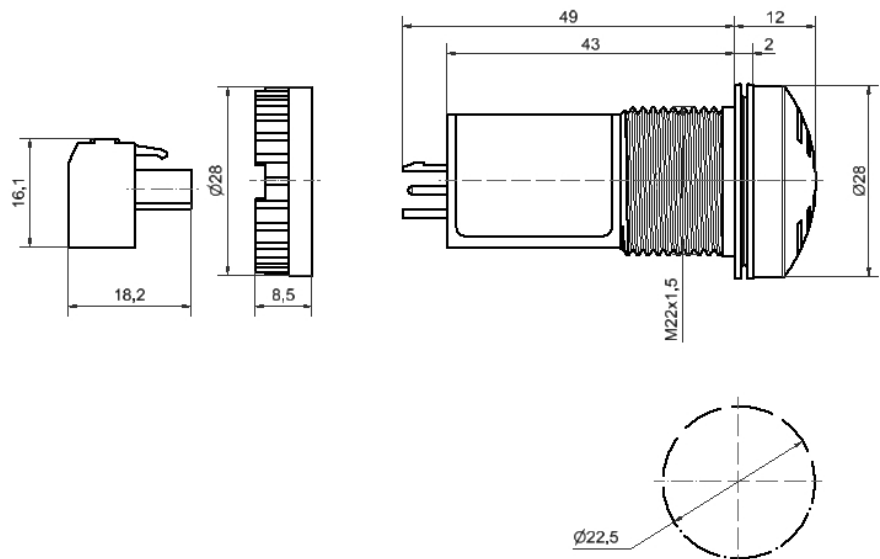


For additional installation and mounting information, refer to the appropriate user guide at www.werma.com. This printed copy is for information only and is subject to alteration.

Electronic Audible Signal Devices / Electronic Buzzers Installation 107
Installation Buzzer Contin. 115-230VAC

Conforms with CCC	No
Conforms with UL	cULus
UL Type Rating	Type 4X
Conforms with FCC	No
Conforms with IC	No
EAC certificate available	Yes
Conforms with UKCA (Importer)	Yes (WERMA (UK) Ltd.)
Conforms with AS-I	No
Conforms with GL	No
Conforms with RoHS CN	No
Conforms with VdS	No

DRAWING



! For additional installation and mounting information, refer to the appropriate user guide at www.werma.com. This printed copy is for information only and is subject to alteration.