
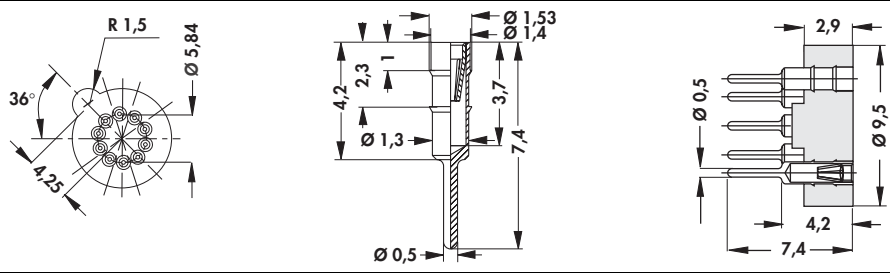

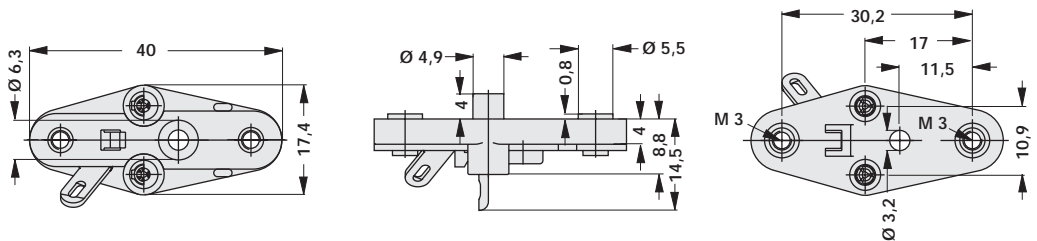


### Sockets for TO 5

	
<b>art. no.</b>	no. of contacts
<b>PF 510 ...</b>	10
<b>please indicate:</b>	... surface <b>G</b> =gold-plated <b>Z</b> =tin-plated

**contact spring:** gold-plated

### Sockets for power transistors TO 3

	
<b>art. no.</b>	no. of contacts
<b>TF 3 2</b>	3

**insulator:** PCT, glassfibre filled

**contact:** beryllium copper; 4 ... 6 µm Sn

**Technical data:**

current rating: 15 A max.

capacitance: 1 pF

contact resistance: <10 mΩ

insulation resistance: >10<sup>10</sup> Ω/cm

temperature range: -65 °C ... +290 °C

test voltage: 1650 V