

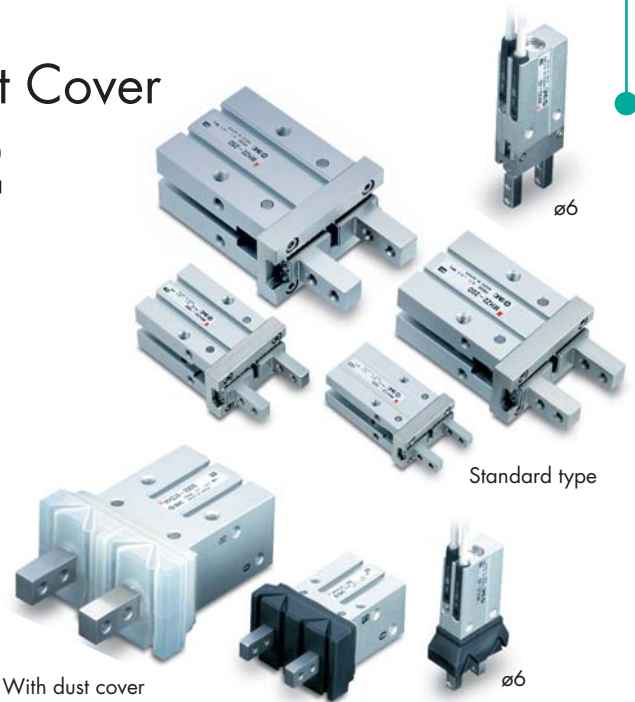
# Parallel Style Air Gripper Standard Type/With Dust Cover

## Series **MHZ2/MHZJ2**

Size MHZ2: 6, 10, 16, 20, 25, 32, 40  
Size MHZJ2: 6, 10, 16, 20, 25

### Features

- ➔ Autoswitches can be added.
- ➔ Single and double acting design.
- ➔ MHZ2: General purpose compact grippers with integral linear guide that provides high rigidity and high accuracy.
- ➔ MHZJ2: Air grippers with dust-protected and drip-proof construction. Interchangeable in mounting dimensions with the standard models.  
A wider selection of dust cover materials is available to suit your application, please refer to Best Pneumatics catalogue.



### Specifications

Fluid		Air
Operating pressure	Double acting	
	$\phi 6$ : 0.15 to 0.7 MPa $\phi 10$ : 0.2 to 0.7 MPa $\phi 16$ to $\phi 40$ : 0.1 to 0.7 MPa	
	Single acting	Normally open
Normally closed		
Ambient and fluid temperature		-10 to 60°C
Repeatability		$\phi 6$ to $\phi 25$ : $\pm 0.01$ mm $\phi 32$ , $\phi 40$ : $\pm 0.02$ mm
Max. operating frequency		$\phi 6$ to $\phi 25$ : 180 c.p.m. $\phi 32$ , $\phi 40$ : 60 c.p.m.
Lubrication		Not required
Action		Double acting/Single acting
Auto switch (Option) <sup>Note</sup>		Solid state switch (3-wire, 2-wire)

### Model

Action	Model	Bore size (mm)	Gripping force <sup>(1)</sup>		Opening/Closing stroke (Both sides) (mm)	
			Gripping force per finger Effective value (N)			
			External	Internal		
Double acting	MHZ□2-6D	6	3.3	6.1	4	
	MHZ□2-10D	10	11	17	4	
	MHZ□2-16D	16	34	45	6	
	MHZ□2-20D	20	42	66	10	
	MHZ□2-25D	25	65	104	14	
	MHZ2-32D	32	158	193	22	
Single acting	MHZ2-40D	40	254	318	30	
	Normally open	MHZ□2-6S	6	1.9	—	4
		MHZ□2-10S	10	7.1	—	4
		MHZ□2-16S	16	27	—	6
		MHZ□2-20S	20	33	—	10
		MHZ□2-25S	25	45	—	14
		MHZ2-32S	32	131	—	22
	Normally closed	MHZ2-40S	40	217	—	30
		MHZ□2-6C	6	—	3.7	4
		MHZ□2-10C	10	—	13	4
		MHZ□2-16C	16	—	38	6
		MHZ□2-20C	20	—	57	10
MHZ□2-25C		25	—	83	14	
MHZ2-32C	32	—	161	22		
MHZ2-40C	40	—	267	30		

### How to Order

MHZ 2 — 16 D

Options

Nil	Standard
J	Dust Cover ( $\phi 6$ to $\phi 25$ ) Chloroprene rubber, (CR)

Bore size

6	6mm
10	10mm
16	16mm
20	20mm
25	25mm
32	32mm
40	40mm

Number of fingers

2	2 fingers
---	-----------

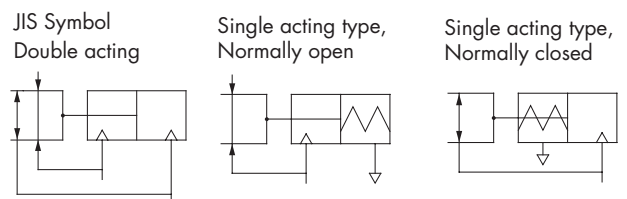
Action

D	Double acting
S	Single acting (Normally open)
C	Single acting (Normally closed)

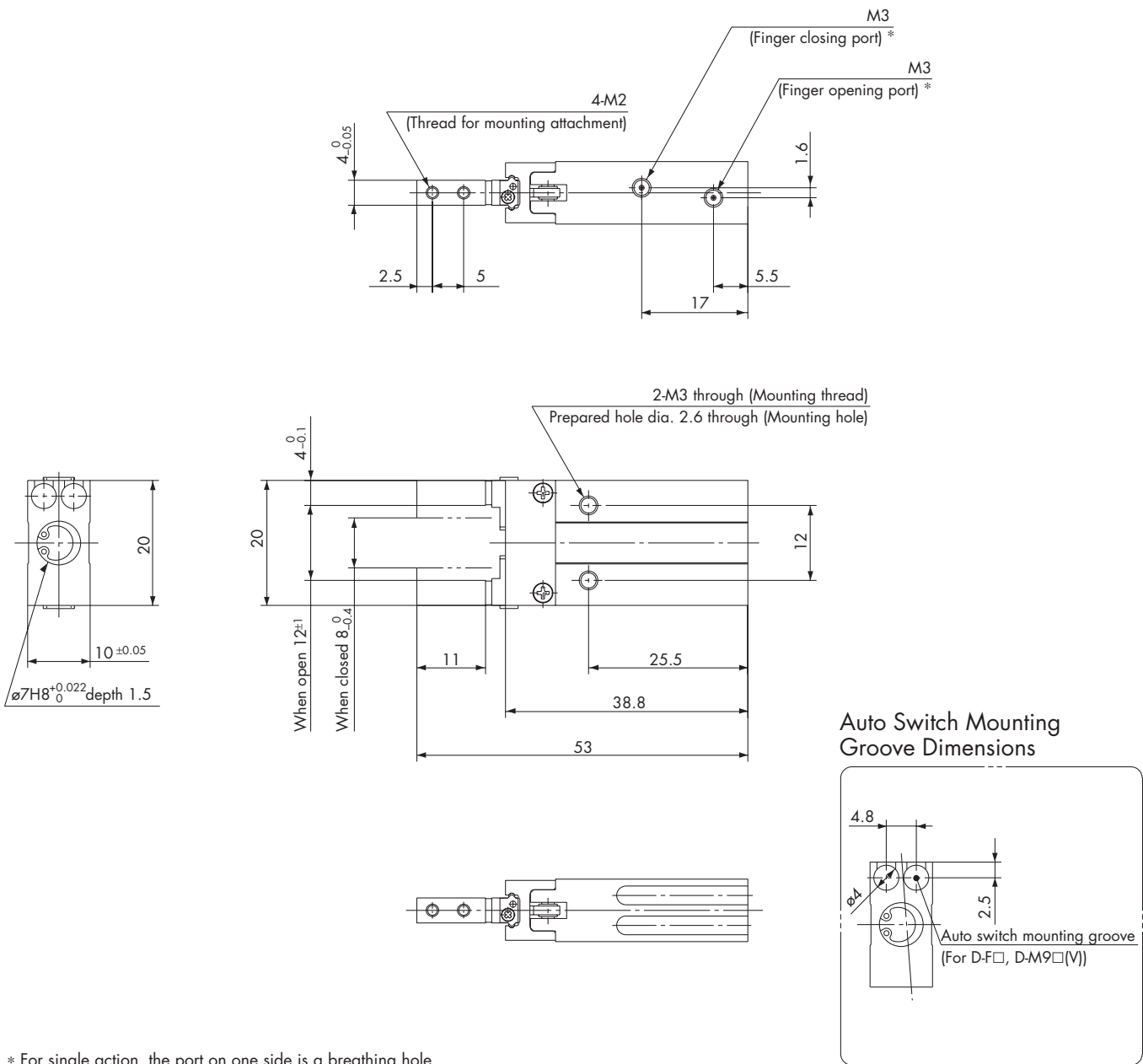
\* Note) Further finger and body options available, refer to Best Pneumatics.

➔ Auto Switch Specifications  
Refer to switch section.

Note 1) Values based on pressure of 0.5 MPa, gripping point L = 20 mm, at center of stroke.  
Note 2) Except auto switch.



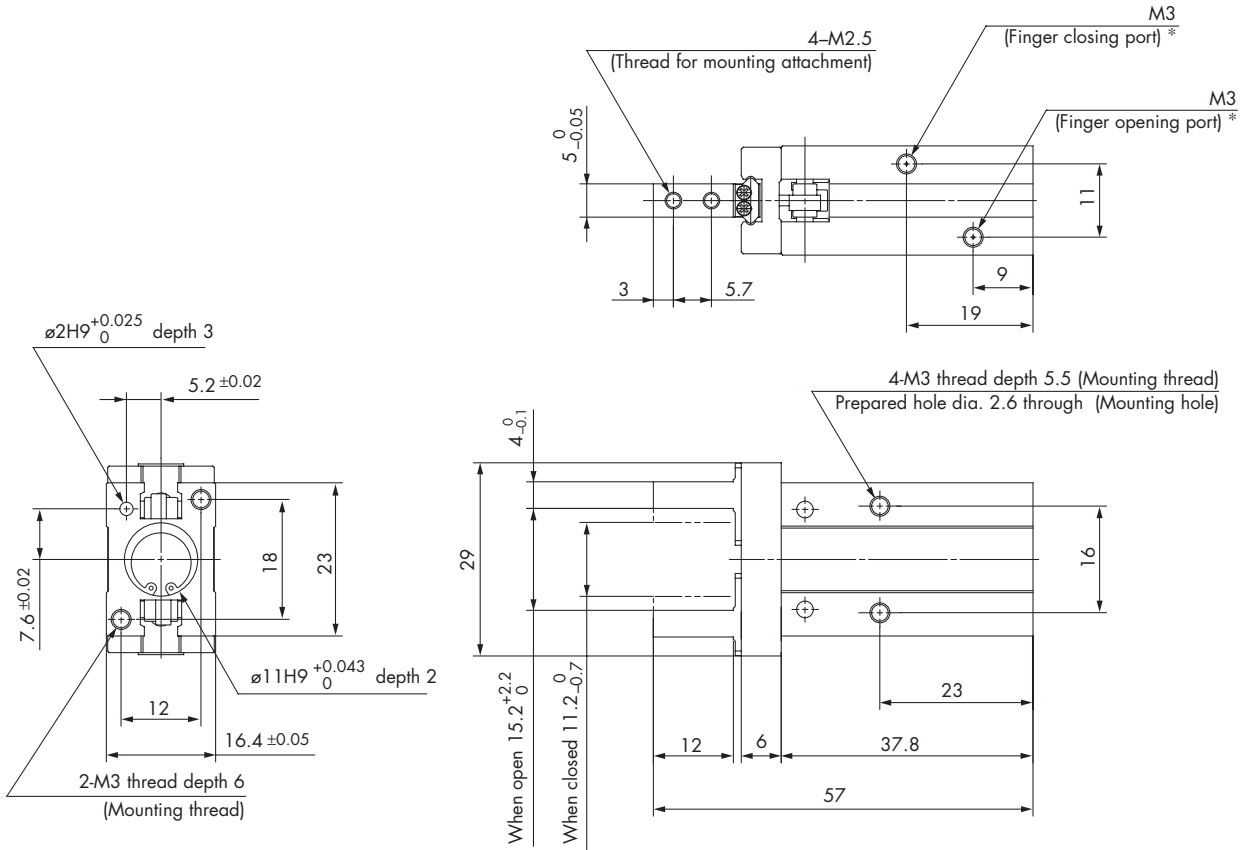
Dimensions: MHZ2-6□ Double acting/Single acting. Basic type



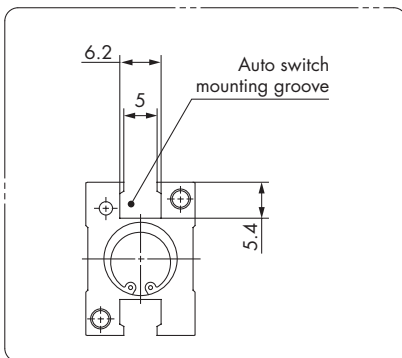
\* For single action, the port on one side is a breathing hole.



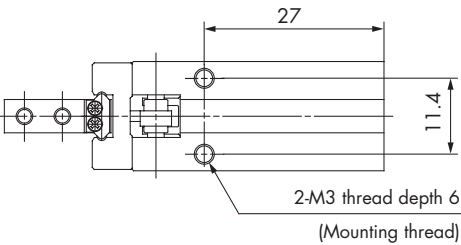
Dimensions: MHZ2-10□ Double acting/Single acting. Basic type



### Auto Switch Mounting Groove Dimensions

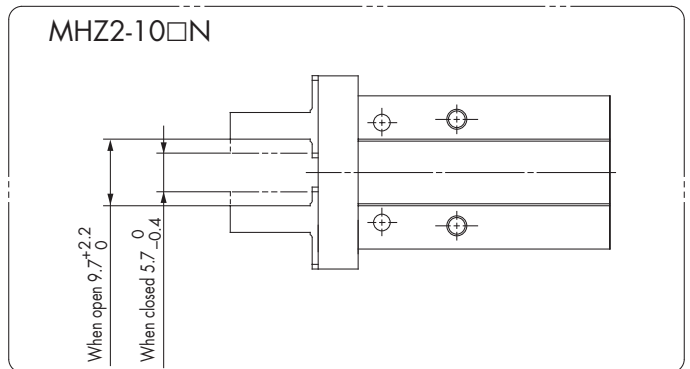


Note) When using D-Y59, D-Y69 and D-Y7 type auto switches, through-hole mounting is not possible.

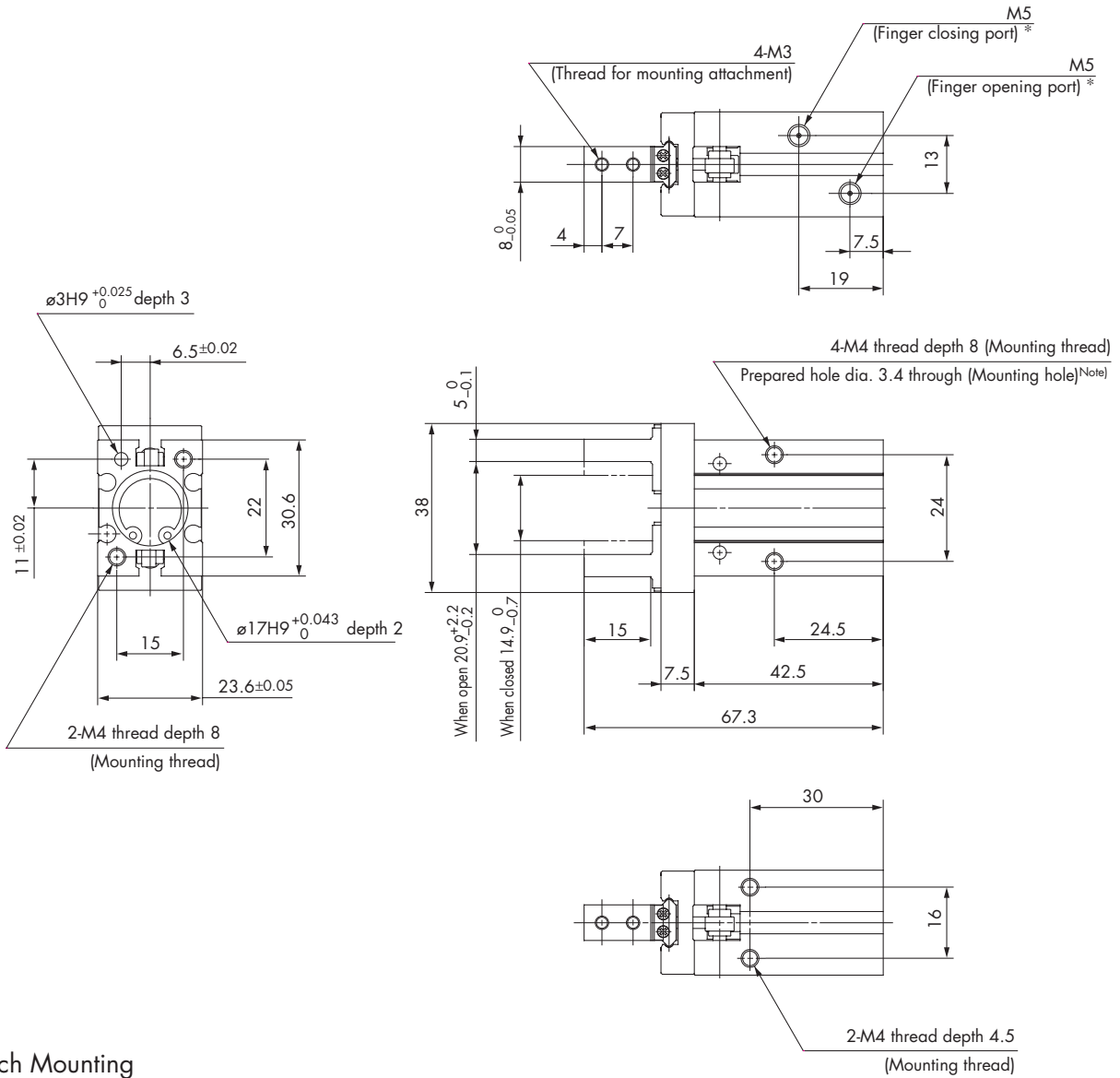


\* For single action, the port on one side is a breathing hole.

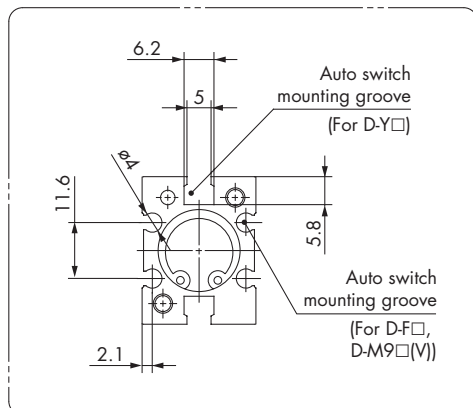
### Finger Position/Narrow Type



Dimensions: MHZ2-16□ Double acting/Single acting. Basic type



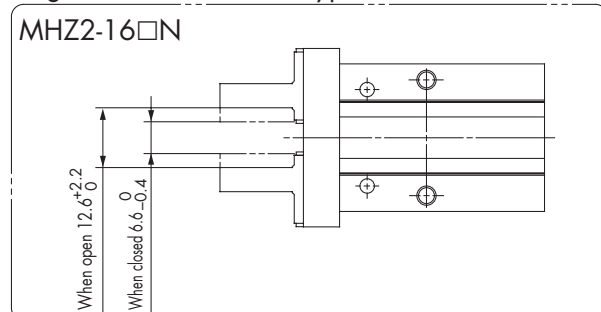
### Auto Switch Mounting Groove Dimensions



Note) When using D-Y59, D-Y69 and D-Y7 type auto switches, through-hole mounting is not possible.

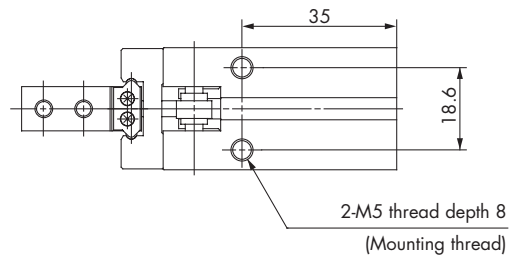
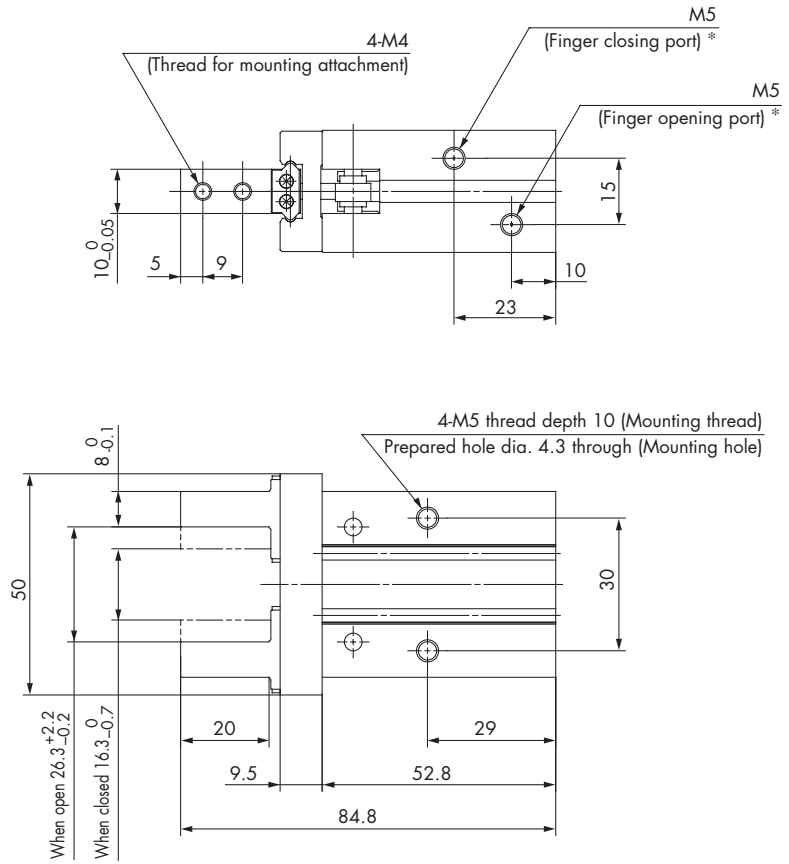
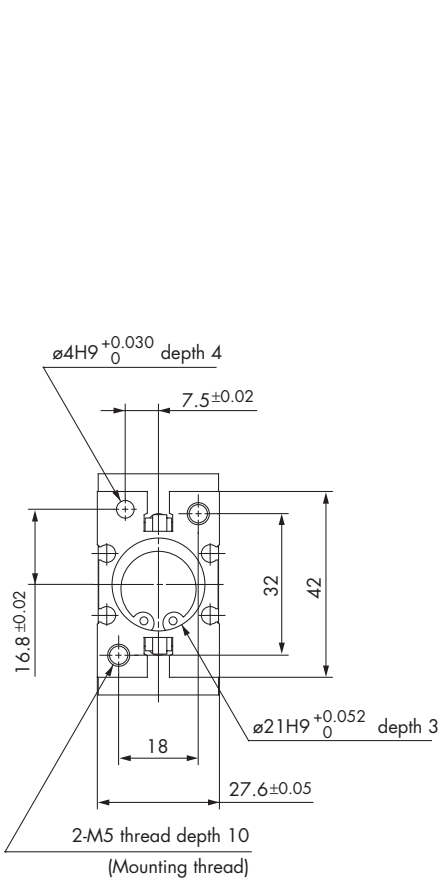
\* For single action, the port on one side is a breathing hole.

### Finger Position/Narrow Type



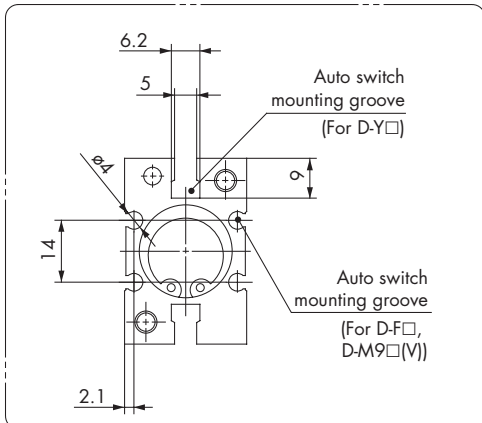
Dimensions: MHZ2-20□ Double acting/Single acting. Basic type

Grippers



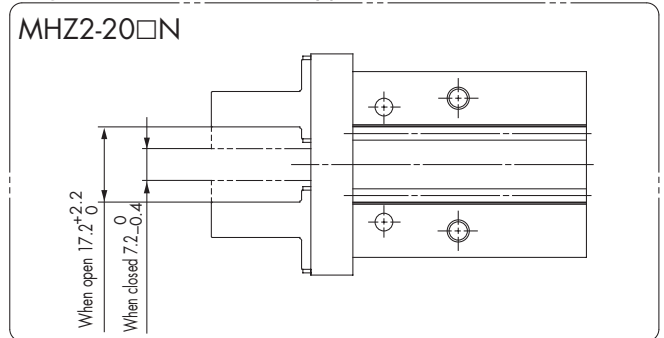
\* For single action, the port on one side is a breathing hole.

Auto Switch Mounting Groove Dimensions

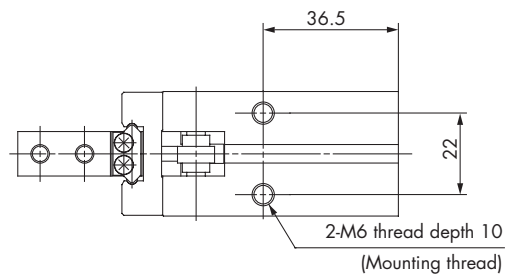
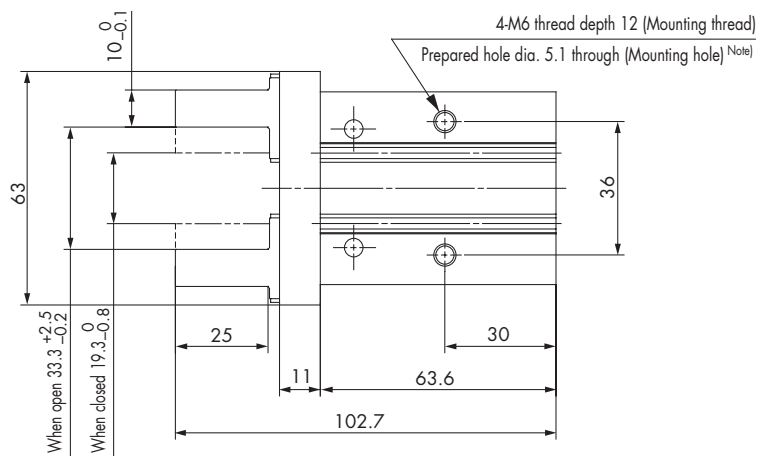
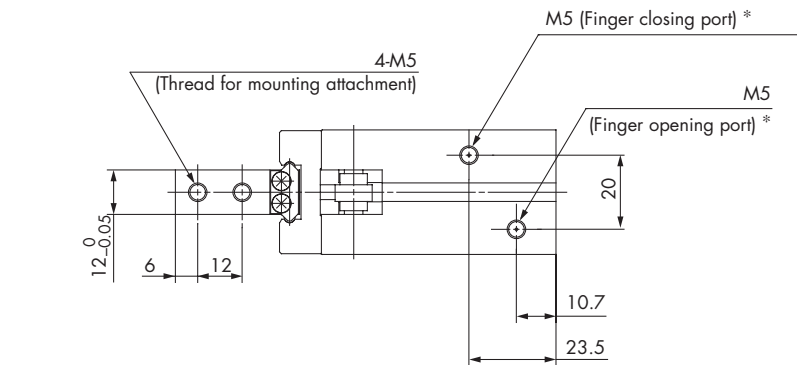
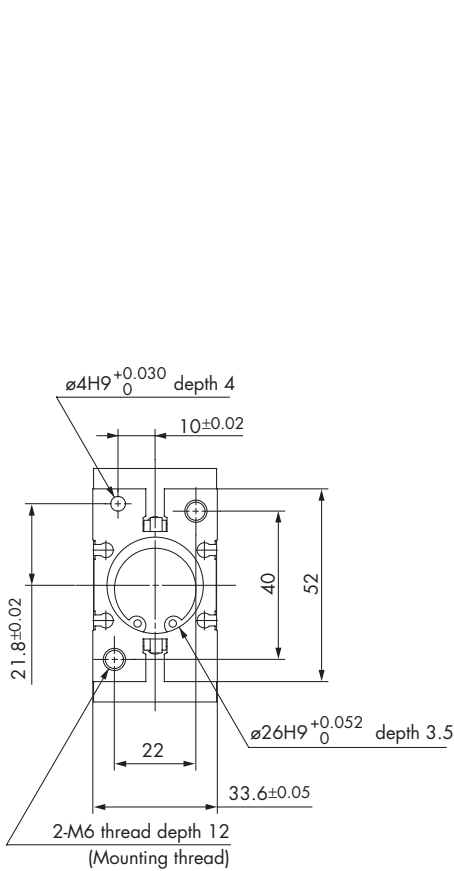


Note) When using D-Y59, D-Y69 and D-Y7 type auto switches, through-hole mounting is not possible.

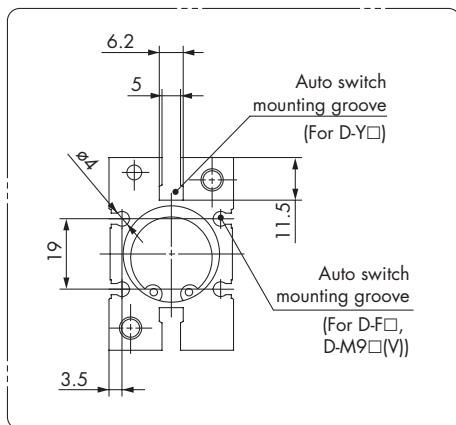
Finger Position/Narrow Type



Dimensions: MHZ2-25□ Double acting/Single acting. Basic type



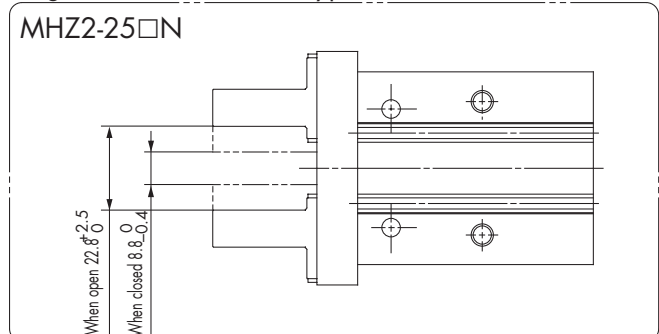
### Auto Switch Mounting Groove Dimensions



Note) When using D-Y59, D-Y69 and D-Y7 type auto switches, through-hole mounting is not possible.

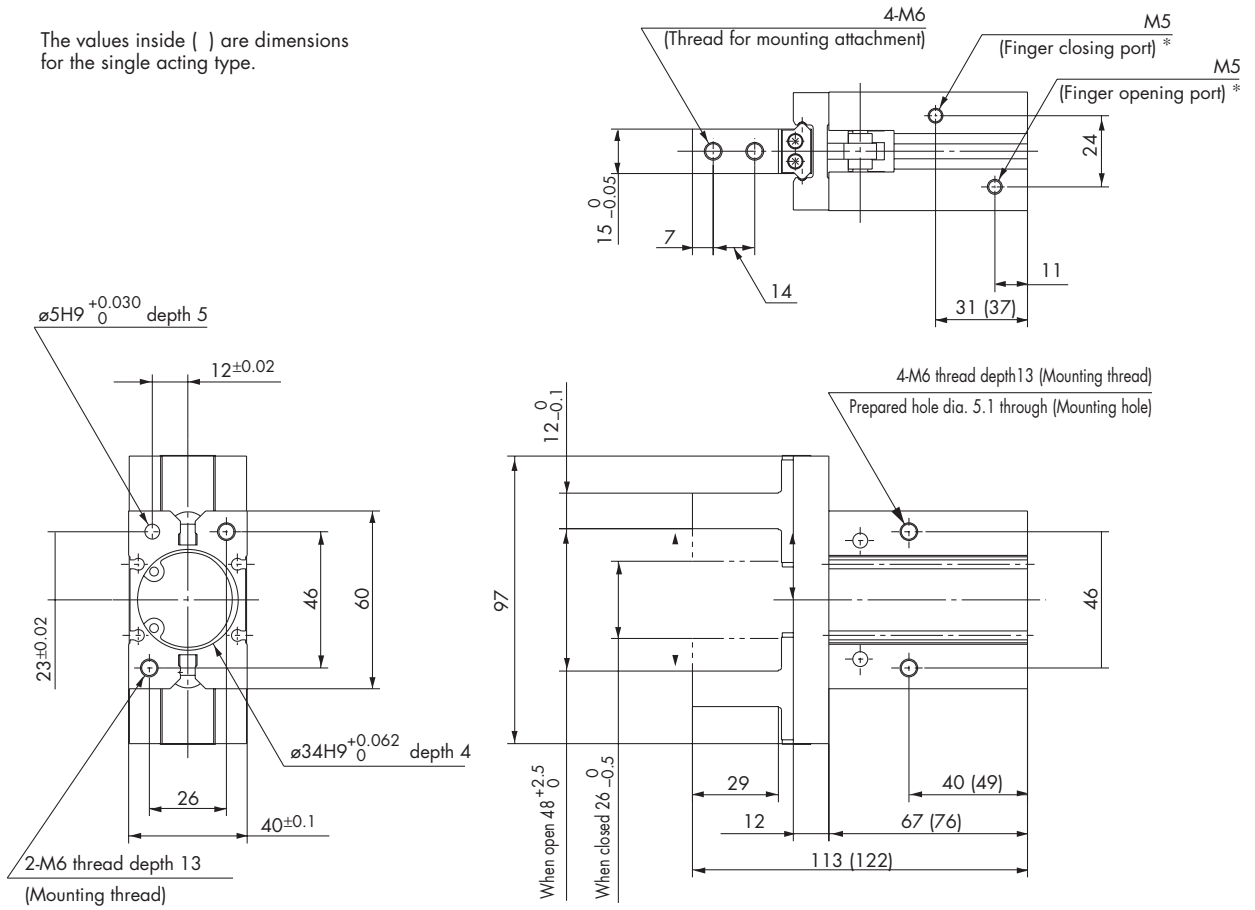
\* For single action, the port on one side is a breathing hole.

### Finger Position/Narrow Type

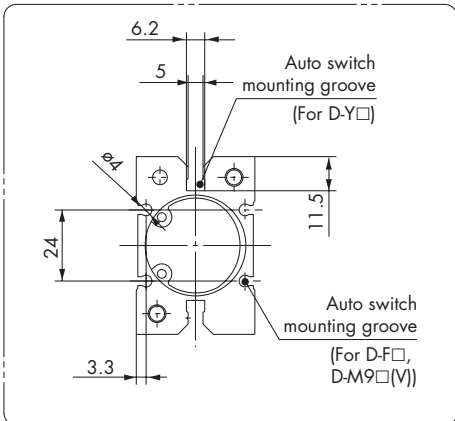


Dimensions: MHZ2-32□ Double acting/Single acting. Basic type

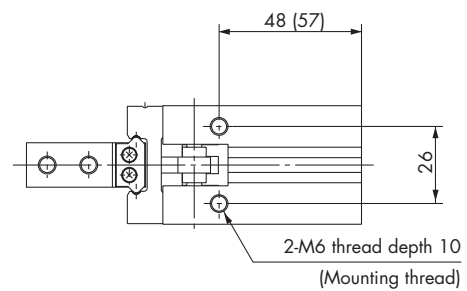
The values inside ( ) are dimensions for the single acting type.



Auto Switch Mounting Groove Dimensions



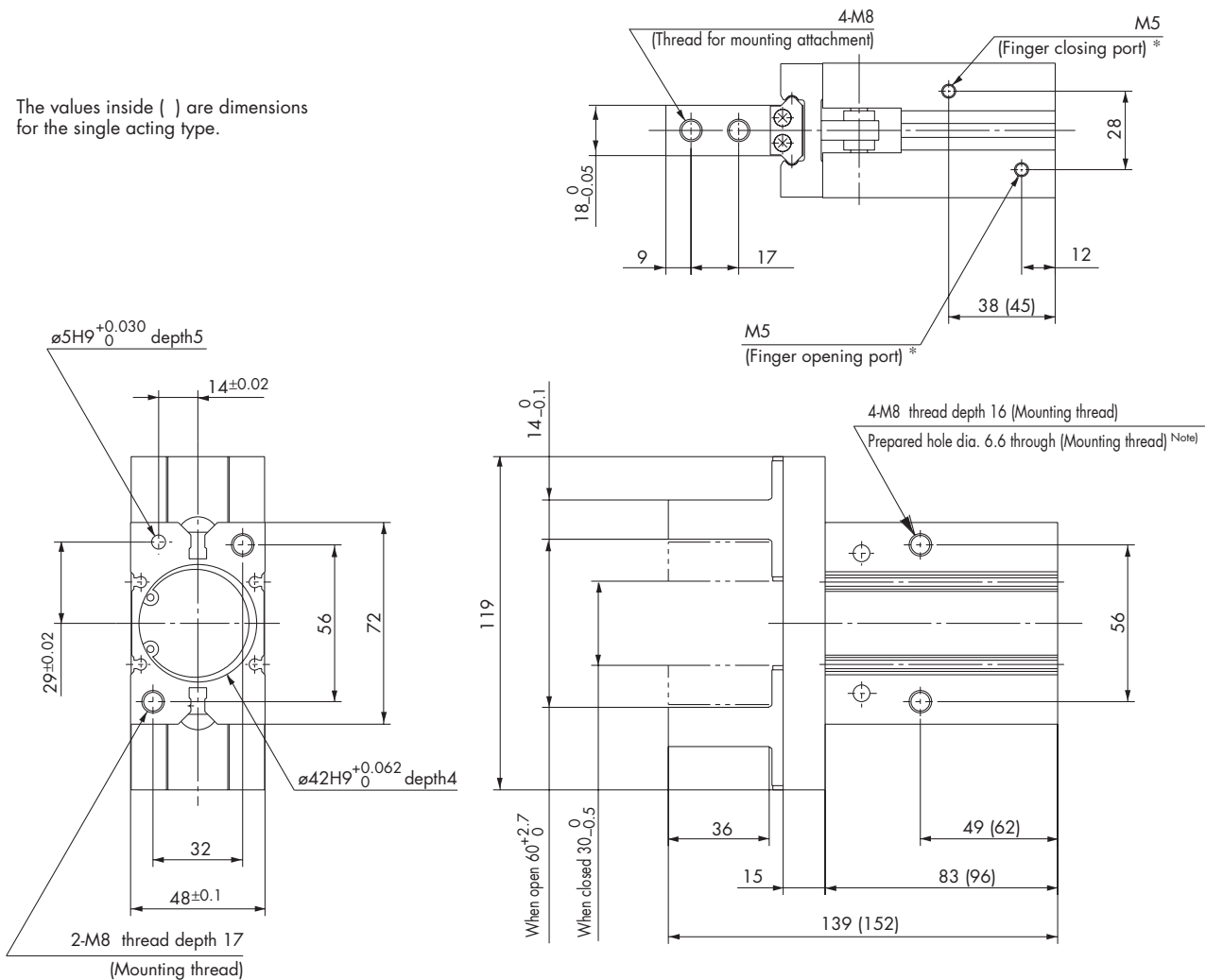
Note) When using D-Y59, D-Y69 and D-Y7 type auto switches, through-hole mounting is not possible.



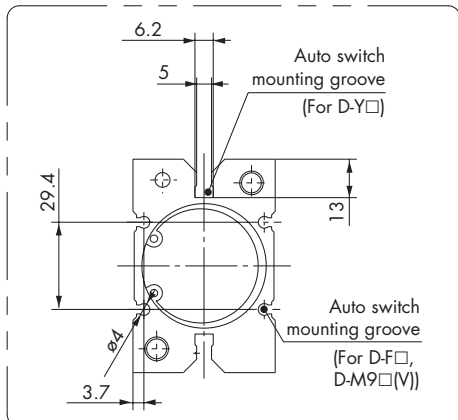
\* For single action, the port on one side is a breathing hole.

Dimensions: MHZ2-40□ Double acting/Single acting. Basic type

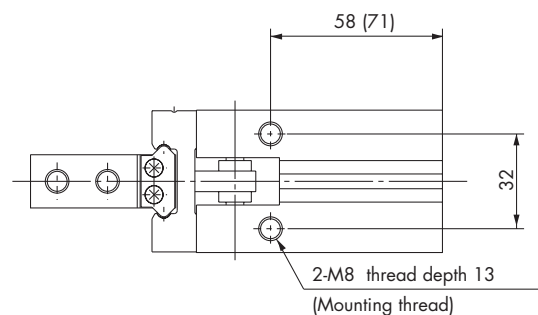
The values inside ( ) are dimensions for the single acting type.



Auto Switch Mounting Groove Dimensions



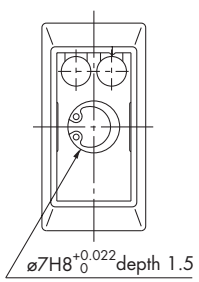
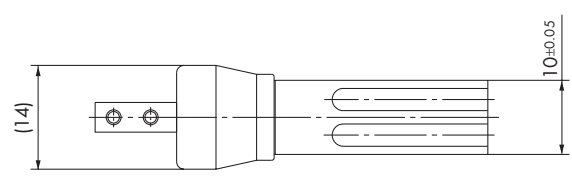
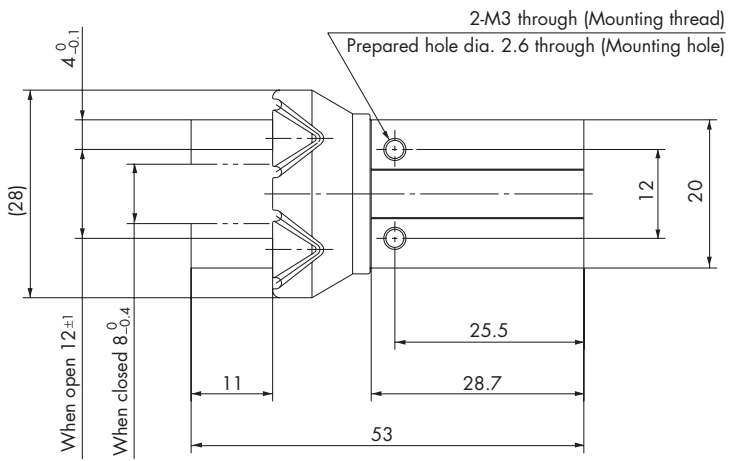
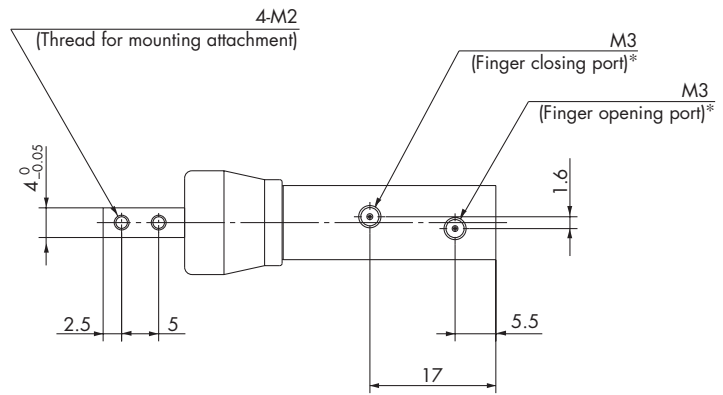
Note) When using D-Y59, D-Y69 and D-Y7 type auto switches, through-hole mounting is not possible.



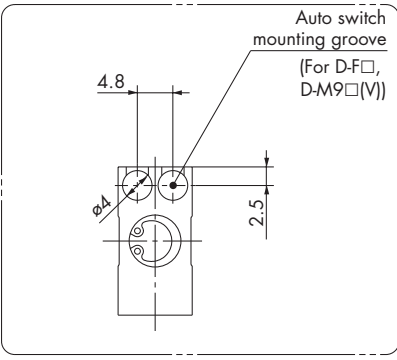
\* For single action, the port on one side is a breathing hole.



Dimensions: MHZJ2-6□ Double acting/Single acting. Basic type  
With Dust Cover



Auto Switch Mounting Groove Dimensions

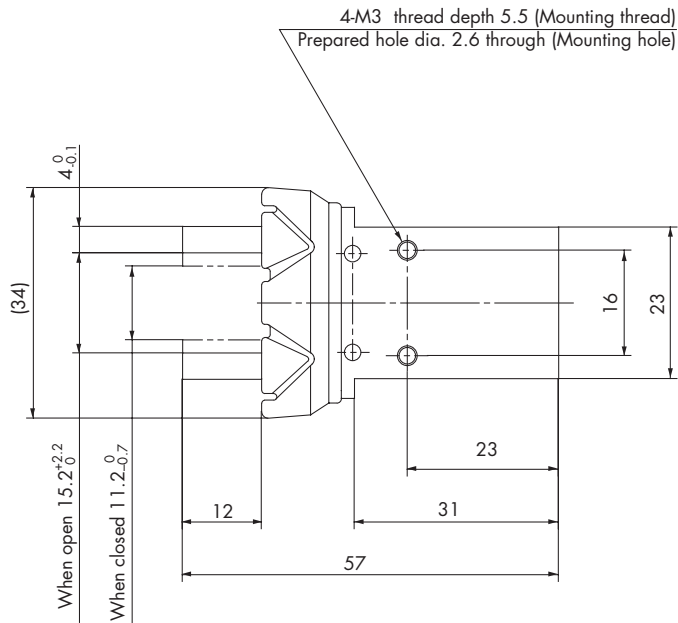
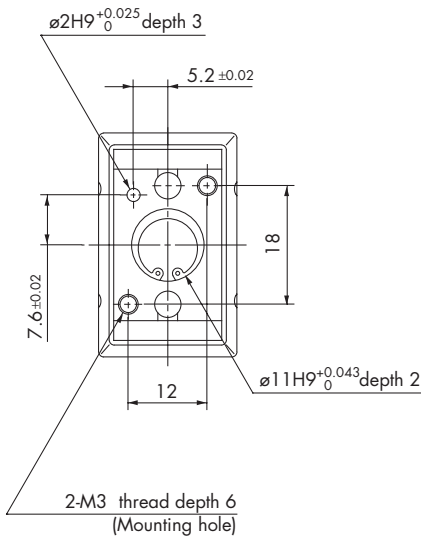
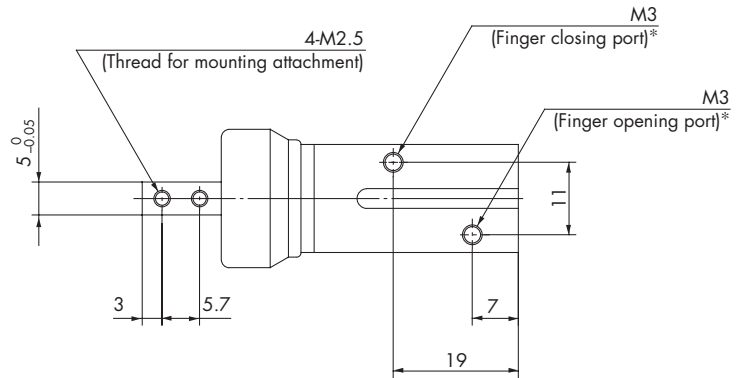


\* For single action, the port on one side is a breathing hole.

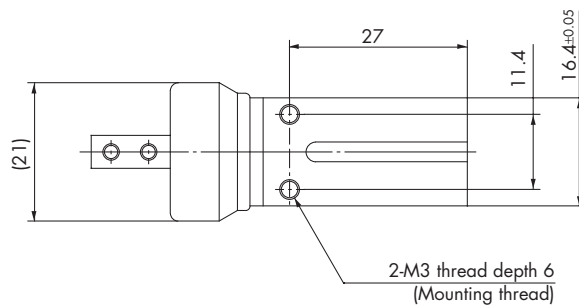
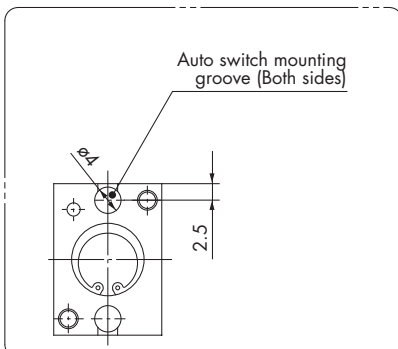


Grippers

Dimensions: MHZJ2-10□Double acting/Single acting. Basic type  
With Dust Cover



Auto Switch Mounting  
Groove Dimensions

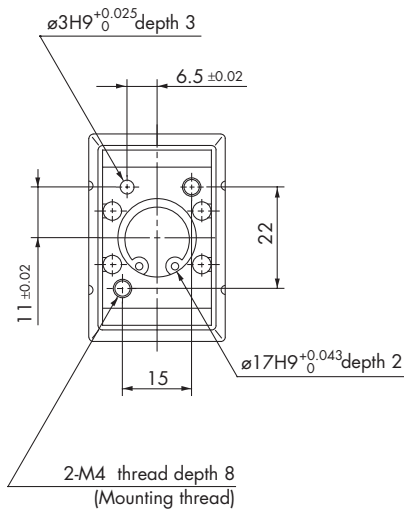
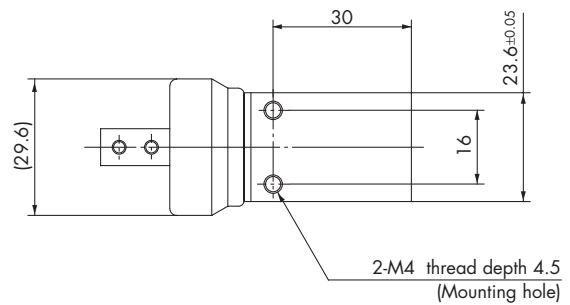
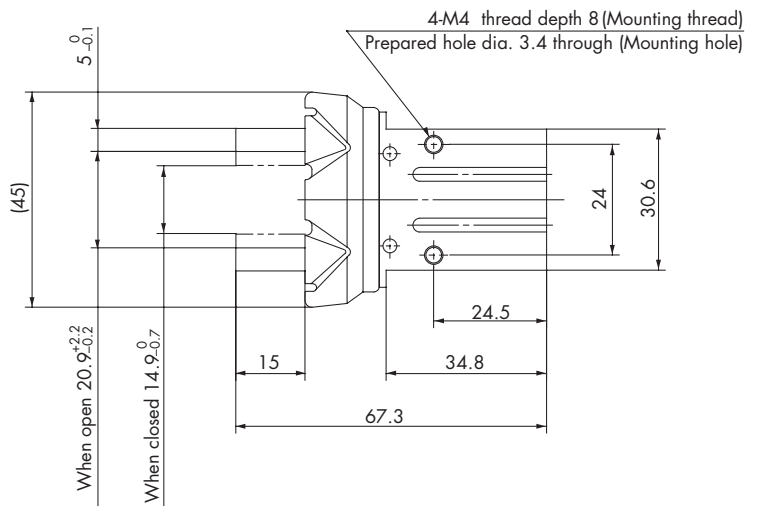
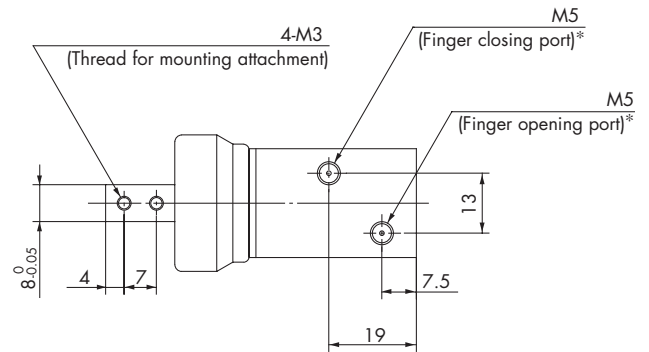


\* For single action, the port on one side is a breathing hole.

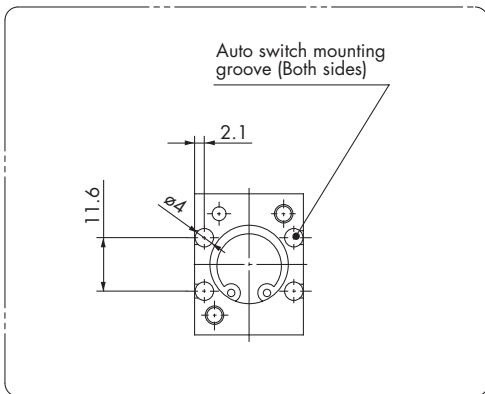
Note) When using auto switches, through-hole mounting is not possible.



Dimensions: MHZJ2-16□ Double acting/Single acting. Basic type  
With Dust Cover



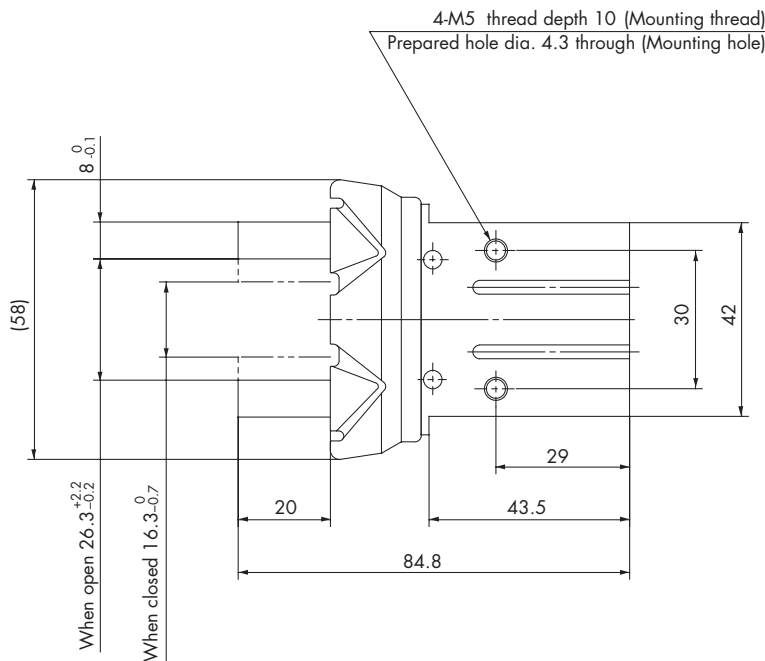
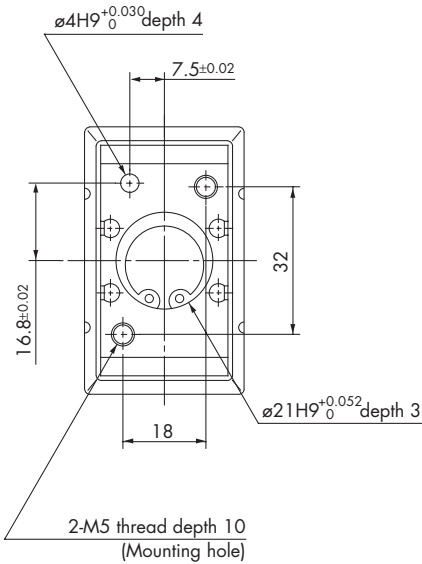
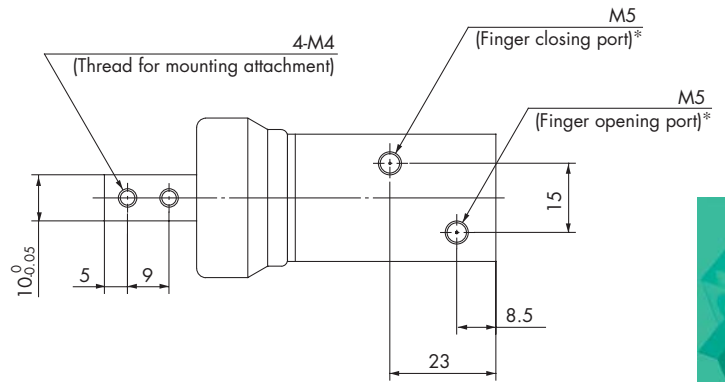
Auto Switch Mounting  
Groove Dimensions



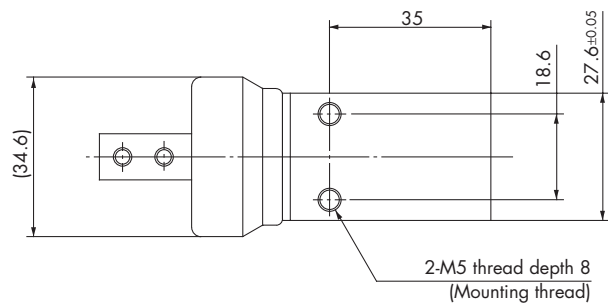
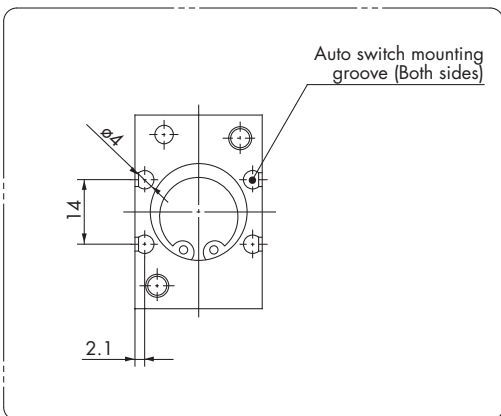
\* For single action, the port on one side is a breathing hole.

Grippers

Dimensions: MHZJ2-20□ Double acting/Single acting. Basic type  
With Dust Cover



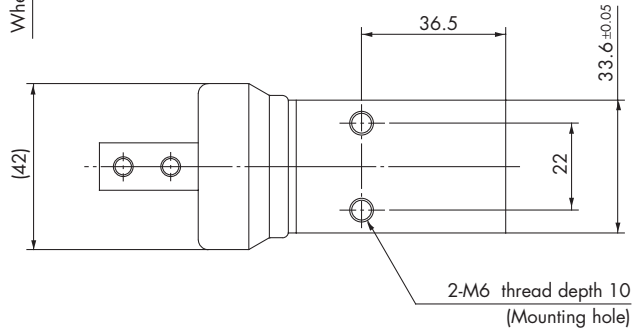
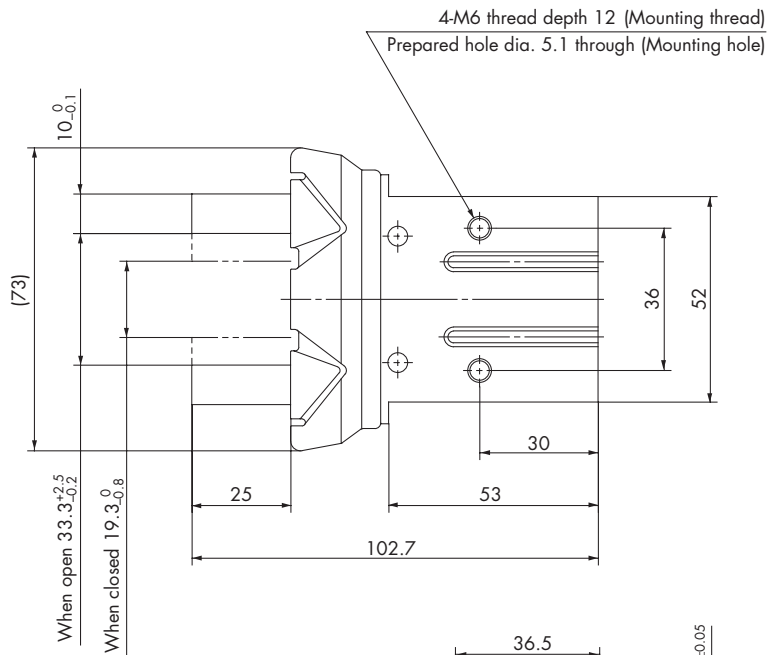
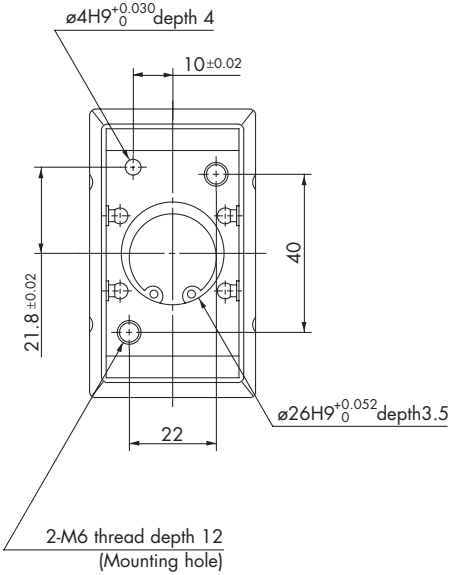
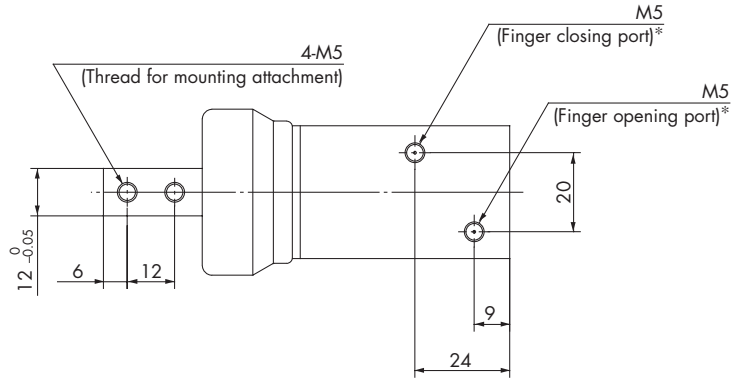
Auto Switch Mounting Groove Dimensions



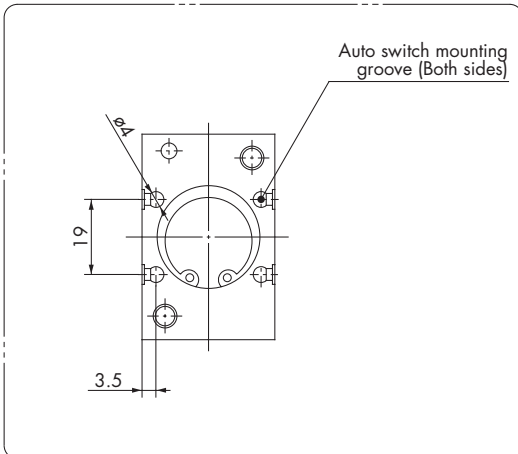
\* For single action, the port on one side is a breathing hole.



Dimensions: MHZJ2-25□ Double acting/Single acting. Basic type  
With Dust Cover



Auto Switch Mounting Groove Dimensions



\* For single action, the port on one side is a breathing hole.