

# 3 Port Air Operated Valve

## Series **SYJA300/500/700**



Valves

### Features

- ➔ Compact and low weight.
- ➔ Choice of NC and NO functions.
- ➔ Body ported and base mounted version.

### How to Order

Symbol	Bore size	Applicable series
M3	M3	SYJA300
M5	M5	SYJA500
O1F	1/8	SYJA700

Body ported SYJA 5 1 2 - M5  

Base mounted SYJA 5 1 4 -  

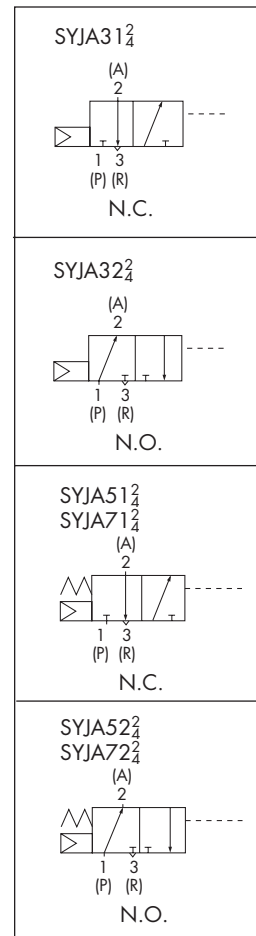
Series	
3	SYJA300
5	SYJA500
7	SYJA700

Type of actuation	
1	Normally closed
2	Normally open

Port size		
Symbol	Bore size	Applicable series
Nil	Without sub-plate	
M5	M5 with sub-plate	SYJA300
O1F	1/8 with sub-plate	SYJA500
O2F	1/4 with sub-plate	SYJA700

Bracket	
Nil	Without bracket
F	With bracket

### Symbols



### Note

- ➔ Manifolds and single subbases are common to SYJ300,500 and 700 series solenoid valves. Please refer to that section for details.

### Specifications

Fluid	Air
Operating pressure range (MPa)	0.15 to 0.7
Pilot pressure range (MPa) <sup>Note 1)</sup>	See charts in the next page
Ambient and fluid temperature (°C)	-10 to 50 (No freezing)
Lubrication	Not required (Use turbine oil Class 1 ISO VG32, if lubricated.)
Mounting orientation	Unrestricted



CAD CD-ROM AVAILABLE



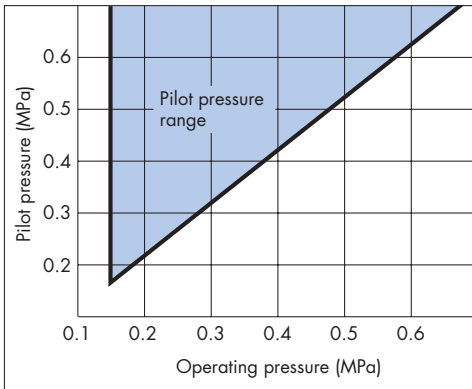
SEE BEST PNEUMATICS VOL. 5



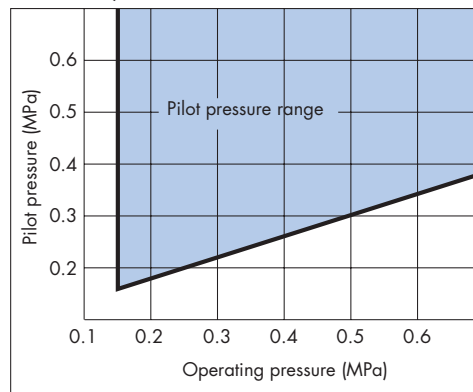
PDF AVAILABLE ONLINE

### Pilot Pressure Range

SYJA300



SYJA500/700

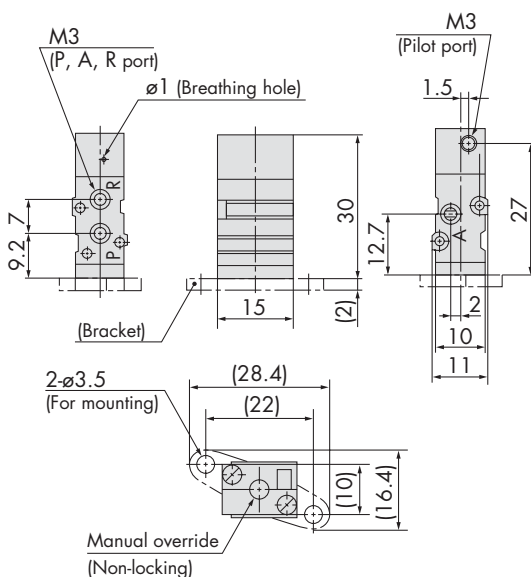


### Flow Characteristics/Weight

Valve model		Type of actuation	Port size	Flow characteristics						Pilot port size	Weight (g)
				1 → 2 (P → A)			2 → 3 (A → R)				
				C [dm <sup>3</sup> /(s bar)]	b	Cv	C [dm <sup>3</sup> /(s bar)]	b	Cv		
Body ported	SYJA312-M3	N.C.	M3	—	—	—	—	—	—	M3	18
	SYJA322-M3	N.O.		—	—	—	—	—	—		
Base mounted (with sub-plate)	SYJA314-M5	N.C.	M5	0.41	0.18	0.086	0.35	0.33	0.086	M3	39 (Without sub-plate 18)
	SYJA324-M5	N.O.		0.36	0.31	0.089	0.36	0.31	0.089		
Body ported	SYJA512-M5	N.C.	M5	0.53	0.45	0.14	0.47	0.39	0.12	M5	45
	SYJA522-M5	N.O.		0.66	0.45	0.18	0.66	0.45	0.18		
Base mounted (with sub-plate)	SYJA514-01	N.C.	1/8	1.2	0.41	0.32	1.1	0.46	0.32	M5	75 (Without sub-plate 45)
	SYJA524-01	N.O.		1.3	0.37	0.33	1.2	0.48	0.34		
Body ported	SYJA712-01	N.C.	1/8	2.8	0.43	0.77	2.5	0.51	0.76	M5	80
	SYJA722-01	N.O.		2.7	0.38	0.72	2.4	0.42	0.69		
Base mounted (with sub-plate)	SYJA714-01	N.C.	1/8	2.9	0.32	0.71	2.7	0.34	0.69	M5	130 (Without sub-plate 80)
	SYJA714-02		1/4	3.0	0.31	0.74	2.6	0.33	0.66		
	SYJA724-01	N.O.	1/8	2.8	0.21	0.70	2.3	0.45	0.63		
	SYJA724-02		1/4	2.7	0.31	0.68	2.3	0.48	0.64		

### Dimensions:

Body ported: SYJA3□2-M3(-F)



Base mounted: SYJA3□4-M5

