

Hand Valve

Series **VH**

Features

- ➔ 4 Port hand operated valve.
- ➔ Robust construction.
- ➔ 2 Position, closed and exhaust centre option.
- ➔ Panel mounting version available.
- ➔ Base porting option.



How to Order

VH 2 0 1 - F 02

Hand valve

Body size (Base size)

2	1/4 base
3	3/8 base
4	1/2 base
6	1 base

Piping/Mounting

Symbol	Piping ^[Note]	Mounting method
0	Side	Body
1	Side	Panel mounting
2	Bottom	Body
3	Bottom	Panel mounting

Note) Only side piping is available for VH200 and VH600 and R port is located on the bottom.

Function

0	3 position closed centre
1	3 position exhaust centre
2	2 position

Port size (Nominal size)

02	1/4
03	3/8
04	1/2
06	3/4
10	1

Thread type

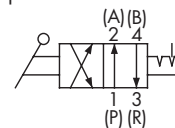
F	G
---	---

Part no. of panel mounting nut

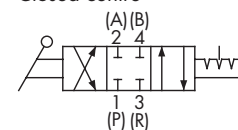
Series	Part number
VH200	244010
VH300	24418
VH400	240258

Symbols

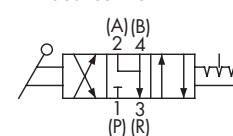
2 position



Closed centre



Exhaust centre



Specifications

Fluid	Air	
Proof pressure	1.5 MPa	
Max. operating pressure	VH200/300/400	1.0 MPa
	VH600	0.7 MPa
Ambient temperature and operating fluid temperature	-5 to 60°C (No freezing)	
Handle operating angle	90°	
Lubrication	Not required (Use turbine oil Class 1 ISO VG32, if lubricated.)	

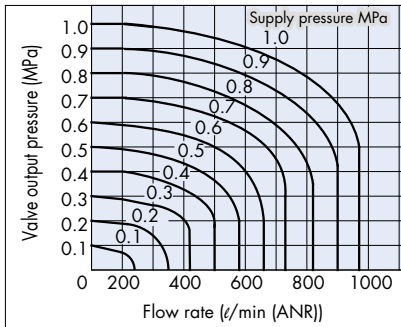
Model table:

Series	Port size	Number of positions	Piping direction	Model		Effective area (mm ²)	Weight (kg)
				Body mounted	Panel mounted		
VH2	1/4	3 (Closed centre)		VH200-02	VH210-02	7.5	0.42
		3 (Exhaust centre)		VH201-02	VH211-02		
		2 (Position)		VH202-02	VH212-02		
VH3	1/4, 3/8	3 (Closed centre)		VH300-02/03	VH310-02/03	1/4: 17	0.71
		3 (Exhaust centre)		VH301-02/03	VH311-02/03		
		2 (Position)		VH302-02/03	VH312-02/03		
		3 (Closed centre)		VH320-02/03	VH330-02/03	3/8: 20	
		3 (Exhaust centre)		VH321-02/03	VH331-02/03		
		2 (Position)		VH322-02/03	VH332-02/03		
VH4	1/4 to 3/4	3 (Closed centre)		VH400-02 to 06	VH410-02 to 06	1/4: 45	1.28
		3 (Exhaust centre)		VH401-02 to 06	VH411-02 to 06		
		2 (Position)		VH402-02 to 06	VH412-02 to 06		
		3 (Closed centre)		VH420-02 to 06	VH430-02 to 06	1/2: 55	
		3 (Exhaust centre)		VH421-02 to 06	VH431-02 to 06		
		2 (Position)		VH422-02 to 06	VH432-02 to 06		
VH6	3/4, 1	3 (Exhaust centre)		VH600-06/10	—	3/4: 185 1: 194	9.7

Flow Characteristics:

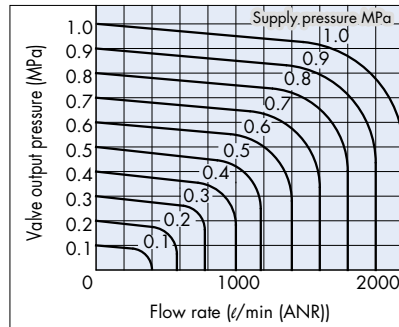
VH200

Effective area S = 7.5 mm²



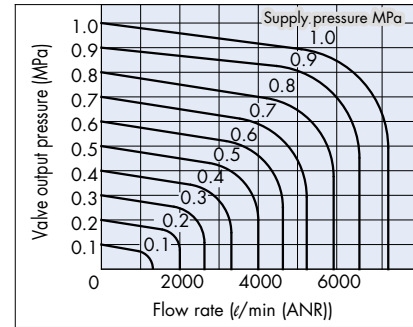
VH300

Effective area S = 20 mm²



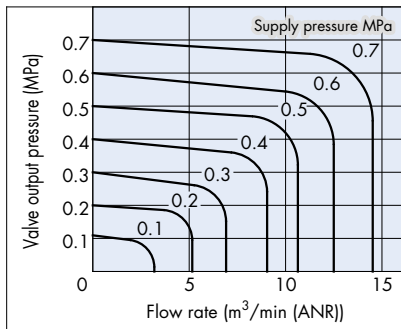
VH400

Effective area S = 55 mm²



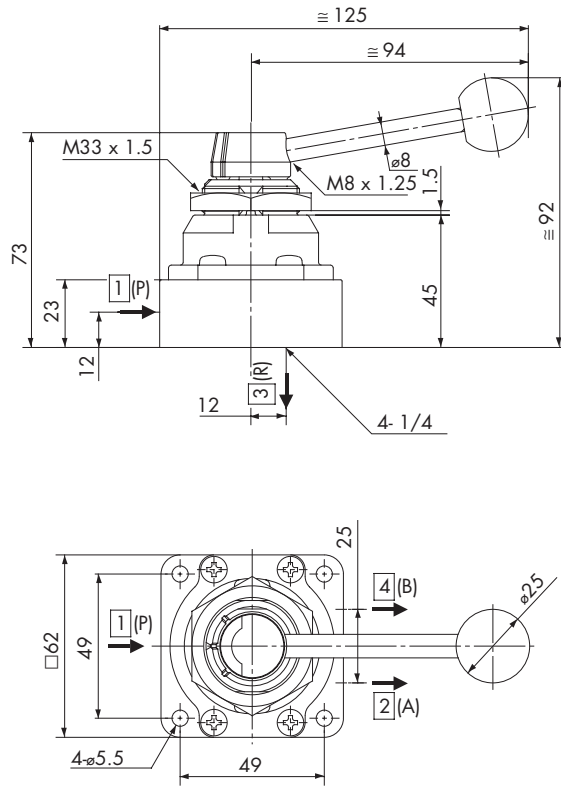
VH600

Effective area S = 194 mm²



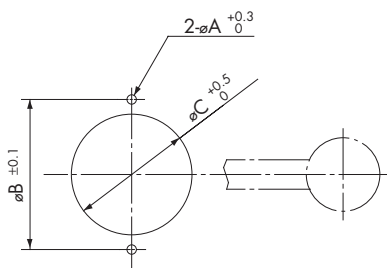
Dimensions:

VH2□□-02



Note: Neck thread and panel mounting nut only included with VH21□□-02 type

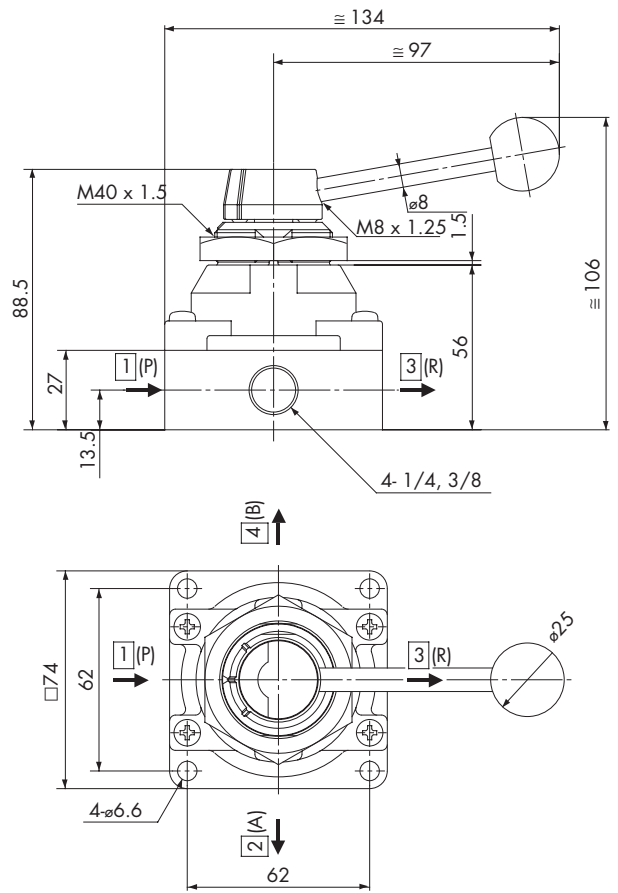
Panel cut dimension



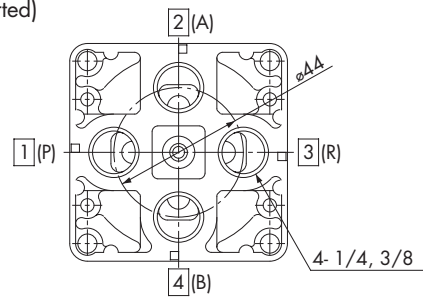
Max. panel thickness D

	(mm)			
	A	B	C	D
VH200	3.2	40	35	3.5
VH300	3.2	51	41	6
VH400	3.2	64	51	8

VH3□□-02/03



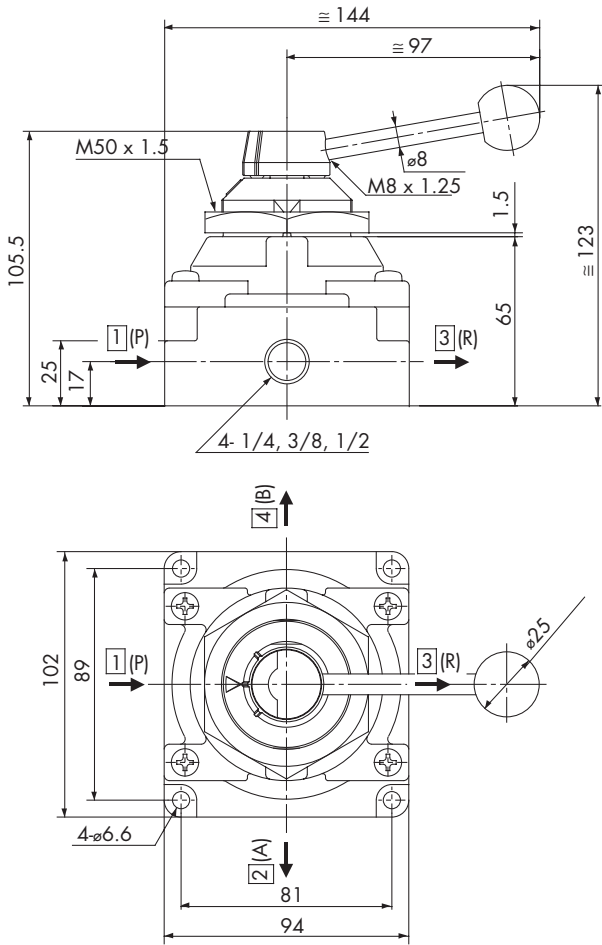
VH3□□-02/03
(Bottom ported)



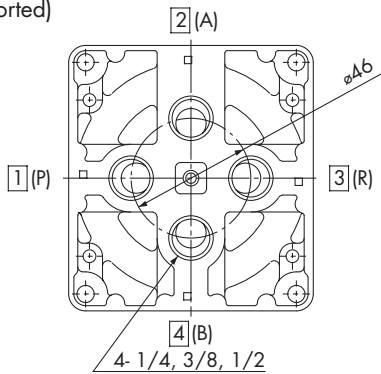
Note: Neck thread and panel mounting nut only included with VH31□□-02/03 type

Dimensions: panel mounted

VH4□□-02 to 04

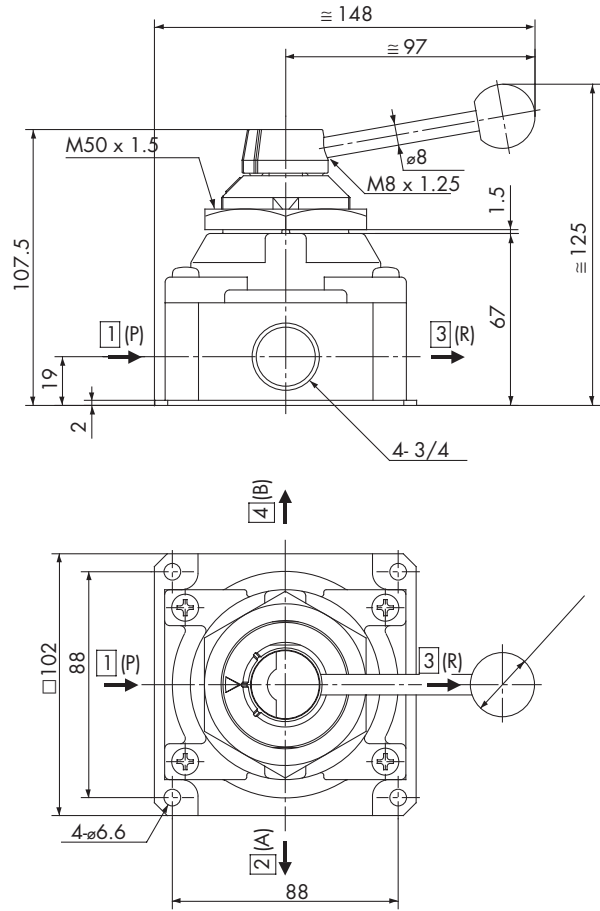


VH4□□-02 to 04
(Bottom ported)

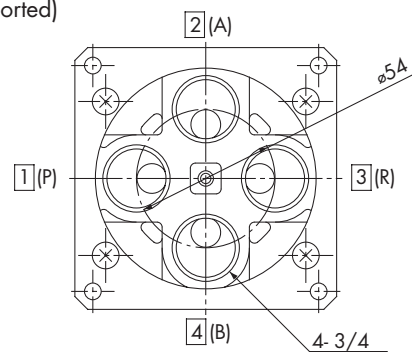


Note: Neck thread and panel mounting nut only included with VH41□-02 to 04 type

VH4□□-06



VH4□□-06
(Bottom ported)

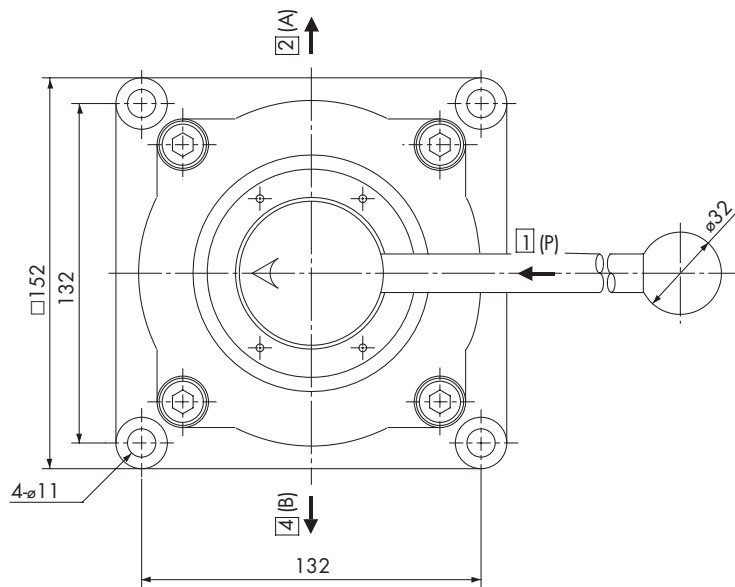
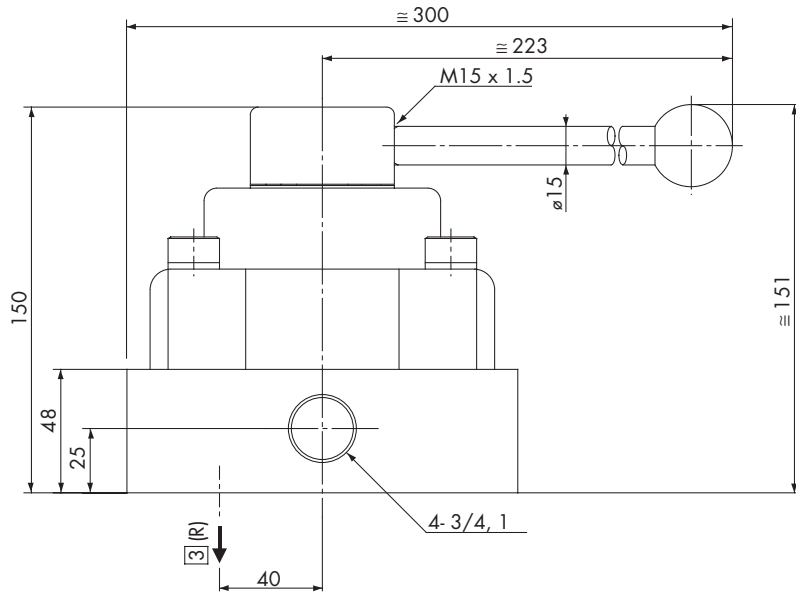


Note: Neck thread and panel mounting nut only included with VH31□-06 type

Dimensions:

Body Mounted

VH600-06/10



Valves