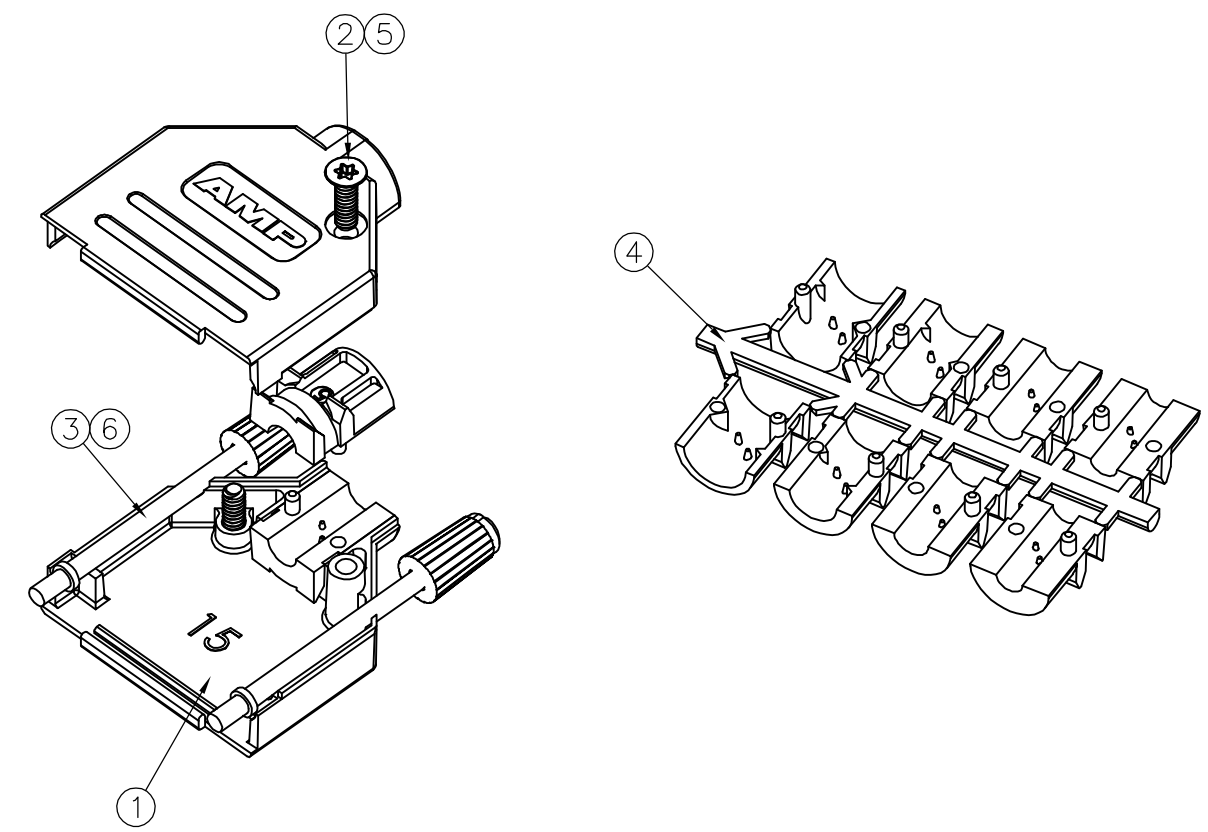
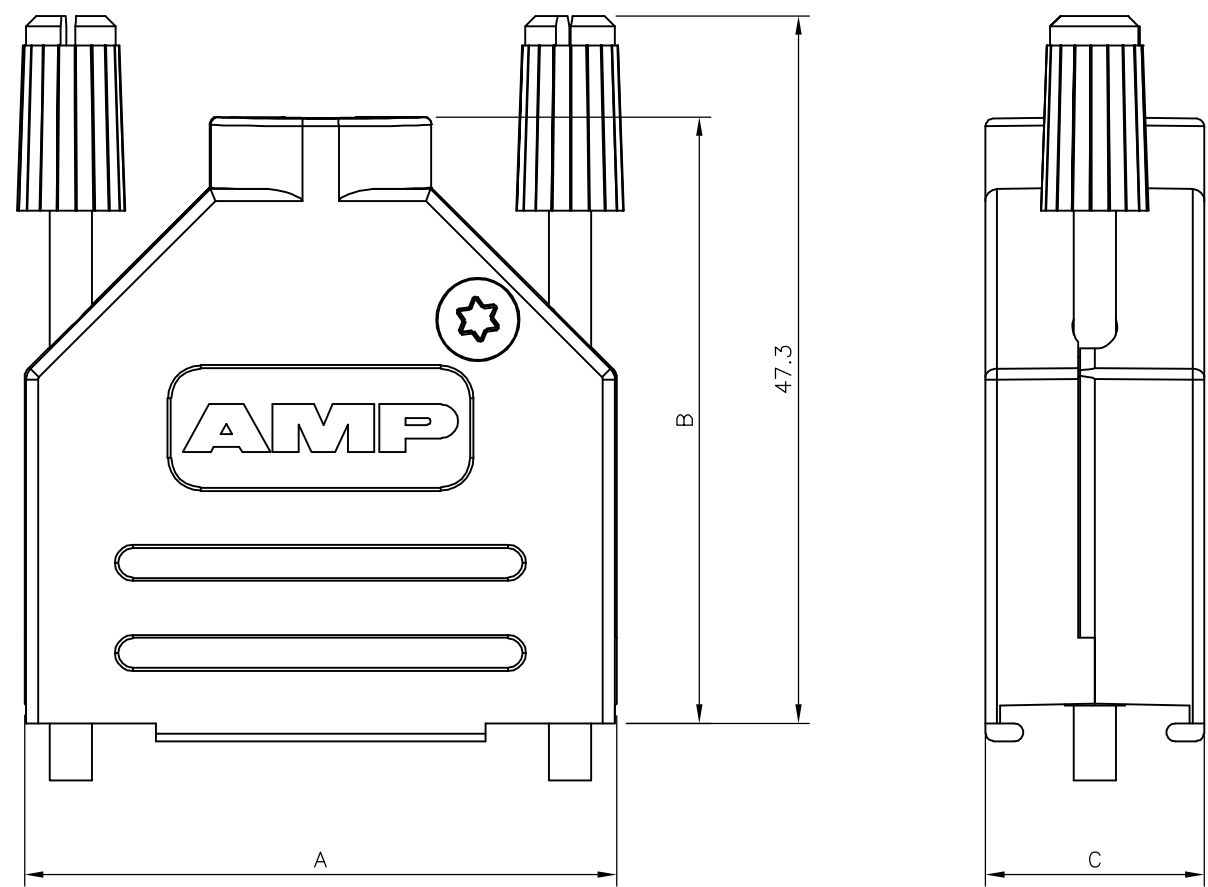


THIS DRAWING IS UNPUBLISHED. RELEASED FOR PUBLICATION 27-02-02, - .
 © COPYRIGHT 2002 BY TYCO ELECTRONICS CORPORATION. ALL RIGHTS RESERVED.

LOC	DIST	REVISIONS			
P	LTR	DESCRIPTION	DATE	DWN	APVD
E	B	E	EBD0-0018-05	12-01-05	RS MG
		F	ECR-06-013400	02-06-06	AM FWK



PART NUMBER	A	B	C	ITEM	BACKSHELL HALF	FIXING SCREW (TYPE) TORQUE DRIVE	JACKSCREW M3	STRAIN RELIEF SET	FIXING SCREW (TYPE) POZIDRIVE DRIVE	JACKSCREW 4-40
6-1478762-7	53.2	47.3	14.6	QTY	2	-	2	1	2	-
6-1478762-6	39.5	40.5	14.6		2	-	2	1	2	-
6-1478762-5	31	38.3	14.6		2	-	2	1	2	-
6-1478762-3	53.2	47.3	14.6		2	-	-	1	2	2
6-1478762-2	39.5	40.5	14.6		2	-	-	1	2	2
6-1478762-1	31	38.3	14.6		2	-	-	1	2	2
5-1478762-4 & 3-1478762-7	70.9	52.2	15		2	2	-	1	-	2
5-1478762-3 & 2-1478762-5	53.2	47.3	14.6		2	2	-	1	-	2
5-1478762-2 & 1-1478762-5	39.5	40.5	14.6		2	2	-	1	-	2
5-1478762-1 & 1478762-9	31	38.3	14.6		2	2	-	1	-	2

1. FOR ASSEMBLY DETAILS REFER TO LEAFLET 0-1478530-1.
1-PER BOX OF 100 PARTS

KITS/BAG	DESCRIPTION	PART NUMBER
1	METAL BACKSHELL 37 WAY TOP ENTRY	5-1478762-4
1	METAL BACKSHELL 25 WAY TOP ENTRY	5-1478762-3
1	METAL BACKSHELL 15 WAY TOP ENTRY	5-1478762-2
1	METAL BACKSHELL 9 WAY TOP ENTRY	5-1478762-1
100	METAL BACKSHELL 25 WAY TOP ENTRY	6-1478762-7
100	METAL BACKSHELL 15 WAY TOP ENTRY	6-1478762-6
100	METAL BACKSHELL 9 WAY TOP ENTRY	6-1478762-5
100	METAL BACKSHELL 25 WAY TOP ENTRY	6-1478762-3
100	METAL BACKSHELL 15 WAY TOP ENTRY	6-1478762-2
100	METAL BACKSHELL 9 WAY TOP ENTRY	6-1478762-1
100	METAL BACKSHELL 37 WAY TOP ENTRY	3-1478762-7
100	METAL BACKSHELL 25 WAY TOP ENTRY	2-1478762-5
100	METAL BACKSHELL 15 WAY TOP ENTRY	1-1478762-5
100	METAL BACKSHELL 9 WAY TOP ENTRY	1478762-9

THIS DRAWING IS A CONTROLLED DOCUMENT.

DWN	A.BEKEN	27-02-02		Tyco Electronics Corporation	
CHK	R.G	27-02-02		Stanmore, Middlesex, HA7 4RS	
APVD	F W-KING	27-02-02		NAME	
PRODUCT SPEC			ADK SERIES DIE-CAST BACKSHELL STRAIGHT ENTRY		
APPLICATION SPEC			-		
WEIGHT			SIZE	CAGE CODE	DRAWING NO
-			A3	00779	C-1478762
CUSTOMER DRAWING			SCALE	SHEET	OF
-			1:1	1	1
-			REV	F	

