



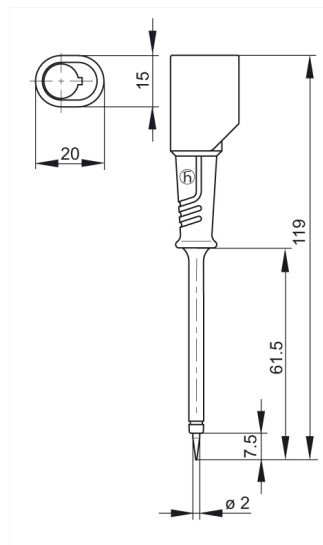
PRUEF 2 S rot/red

Industrial Connectors:Measuring and Testing Equipment:Test probes:4 mm sliding sleeve system

Product description

Description	Contact-protected test probe with elastic, shatter-proof insulating sleeve and slender stainless steel tip. Tip penetrates insulation and oxide layers. Insulated brass 4 mm diameter socket connection. Connects with sliding sleeve measuring leads. Accessory tip: protector and IC tap SS 260.
Type	PRUEF 2 S rot/red
Order No.	973 659-101
System	4 mm sliding sleeve system
Housing Color	red
Other standard types	black color, order no. 973 659-100

Drawing



Technical data

Pin dimensions	4 mm
Type of contact	socket
Type of termination	4 mm socket
Rated voltage	AC/DC 60 V
Contact resistance	50 mOhm
Certificates	CE

Material

Contact material	stainless steel
Contact surface material	nickel-plated
Housing material	PP

Environmental conditions

Temperature range	-25 °C to +80 °C
-------------------	------------------

Inflammability class

Housing	94 HB
---------	-------