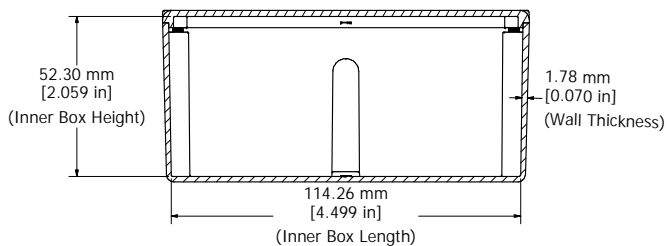
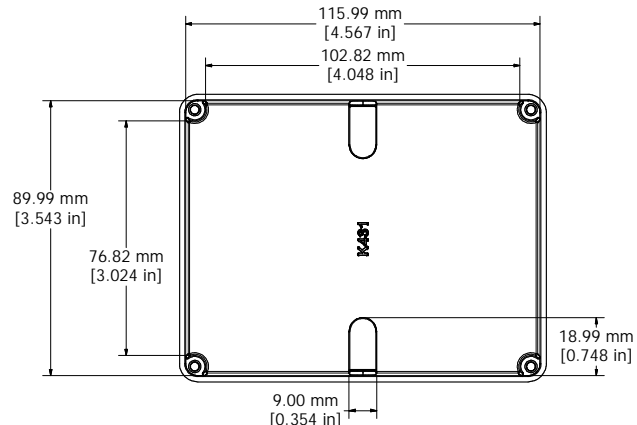


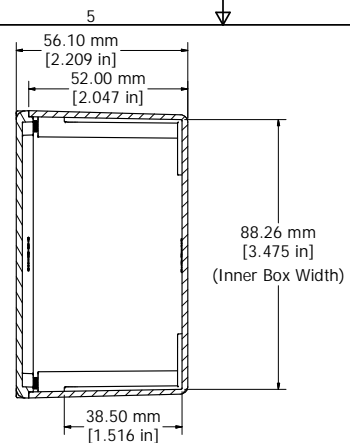
ASSEMBLY



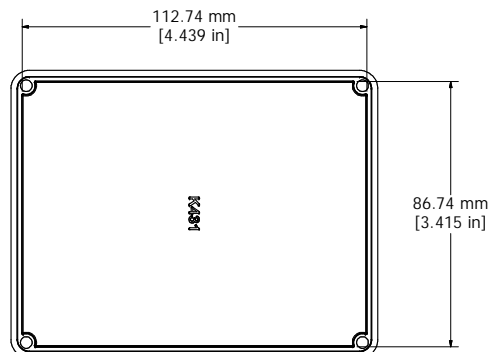
SECTION B-B  
SIDE VIEW OF ASSEMBLY



BOX - INSIDE VIEW



SECTION A-A  
END VIEW OF ASSEMBLY



LID - INSIDE VIEW



**NOTE**  
Purchased assembly includes box, lid, and 4 cover screws.  
Box and lid are made from Zinc Alloy.

PART NUMBERS	
1590K431 Enclosure	
Unfinished	1590K431
Accessories	
Recommended Torque: 75 ozf.in / 55 cN.m	
Unfinished Cover Screws (Pkg 100) [M3.5 x 0.6 18-8 SS]	1550MS100

