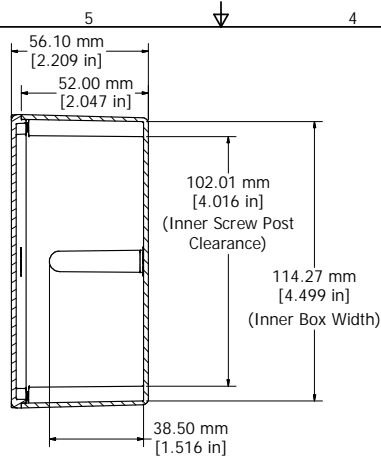
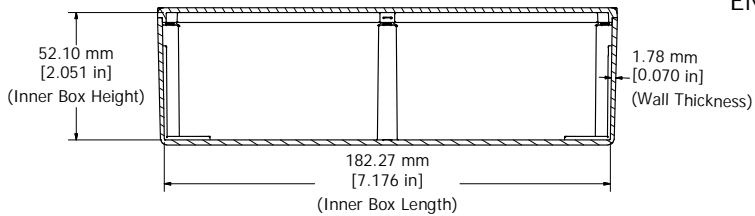


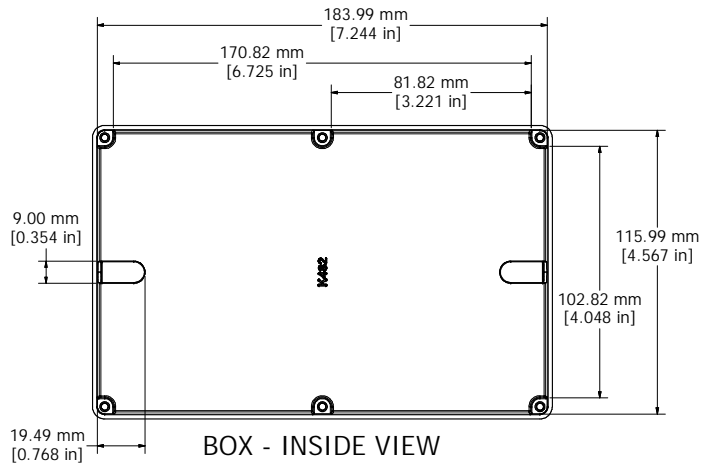
ASSEMBLY



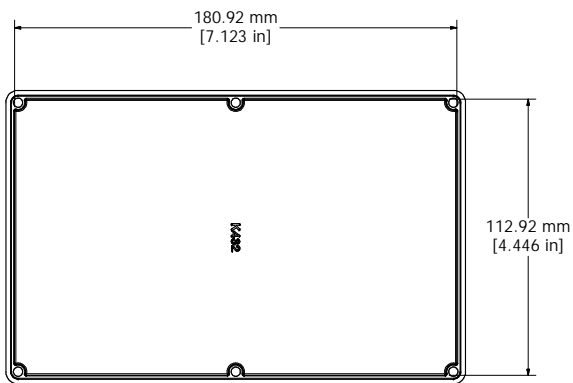
SECTION A-A
END VIEW OF ASSEMBLY



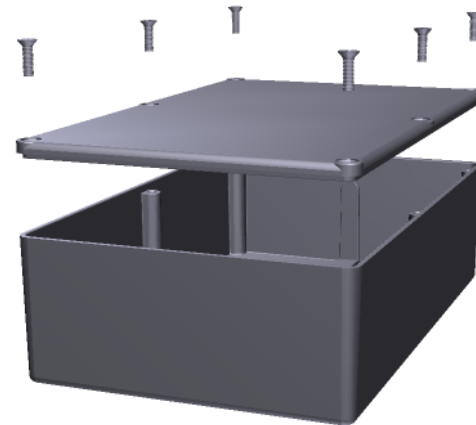
SECTION B-B
SIDE VIEW OF ASSEMBLY



BOX - INSIDE VIEW



LID - INSIDE VIEW



NOTE
Purchased assembly includes box, lid, and 6 cover screws.
Box and lid are made from Zinc Alloy.

PART NUMBERS	
1590K432 Enclosure	
Unfinished	1590K432
Accessories	
Recommended Torque: 75 ozf.in / 55 cN.m	
Unfinished Cover Screws (Pkg 100) [M3.5 x 0.6 18-8 SS]	1550MS100



**HAMMOND
MANUFACTURING™**

1590K432

www.hammondmfg.com