

TECHNICAL CHARACTERISTICS

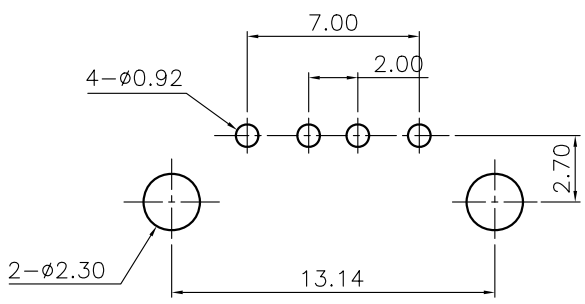
MATERIAL
 INSULATOR: PBT
 COLOR: WHITE
 CONTACT MATERIAL: COPPER ALLOYS
 CONTACT TYPE: STAMPED
 CONTACT PLATING: SELECTIVE GOLD
 SHIELDING: BRASS Ni PLATED
 QUALITY CLASS: 1500 MATING CYCLES

ENVIRONMENTAL
 OPERATING TEMPERATURE: -40 UP TO 105°C
 FLAMABILITY RATING: UL94-V0
 COMPLIANCE: LEAD FREE AND ROHS

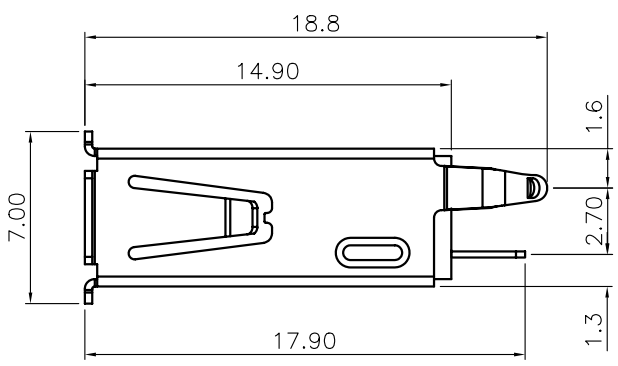
ELECTRICAL
 CURRENT RATING: 1A
 WORKING VOLTAGE: 30V
 INSULATOR RESISTANCE: >1000 MOHM
 DIELECTRIC WITHSTANDING VOLTAGE: 750V AC/MN
 CONTACT RESISTANCE: 20 mOHM MAX

SOLDERING
 WAVE PROCESS ONLY

PACKAGING
 TRAY



PCB LAYOUT - COMPONENT VIEW



RoHS Compliant				PROJECTION: 	GENERAL TOLERANCE .X = +/- 0.2 .XX = +/- 0.15		DESCRIPTION: USB TYPE A VERTICAL	SIZE A4
G								
F								
E								
D				APPROVAL: RJ	UNIT: MM	WERI PART NO: 614004135023		
C	10-DEC-07	MODIFICATIONS	EC		SCALE:			
B	13-MAR-07	NEW DRAW	JP		SHEET: 1/1			
A	03-NOV-06	PDF	JP		DRAW: PEARL			
REV	DATE	FILE	BY					