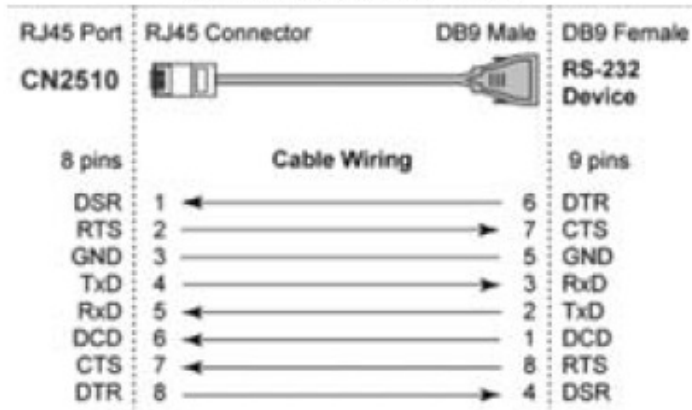


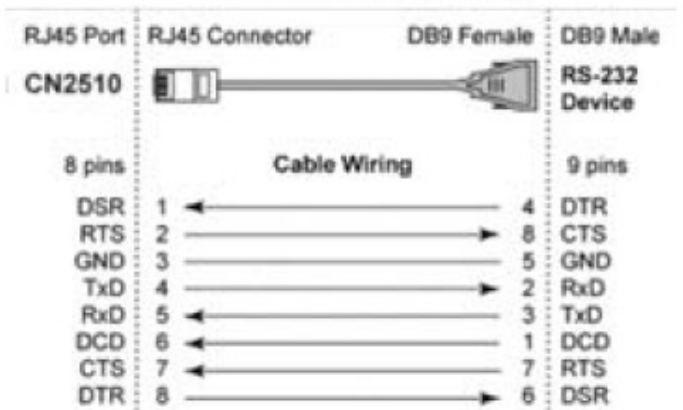
# Async RS-232 Cable Wiring:

Note: The following cables are optional accessories.

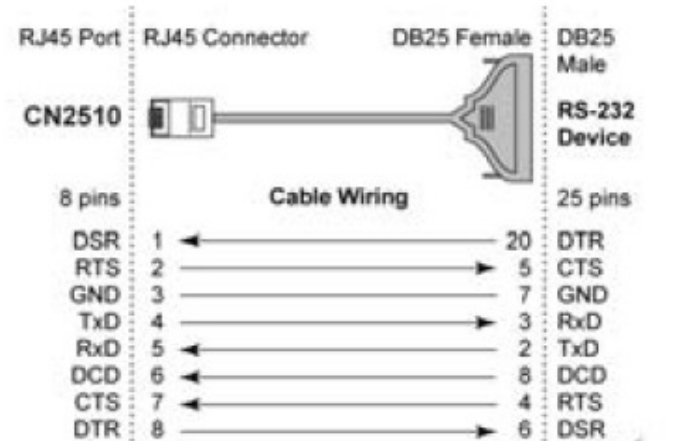
## CBL-RJ45M9-150



## CBL-RJ45F9-150



## CBL-RJ45F25-150



## CBL-RJ45M25-150

