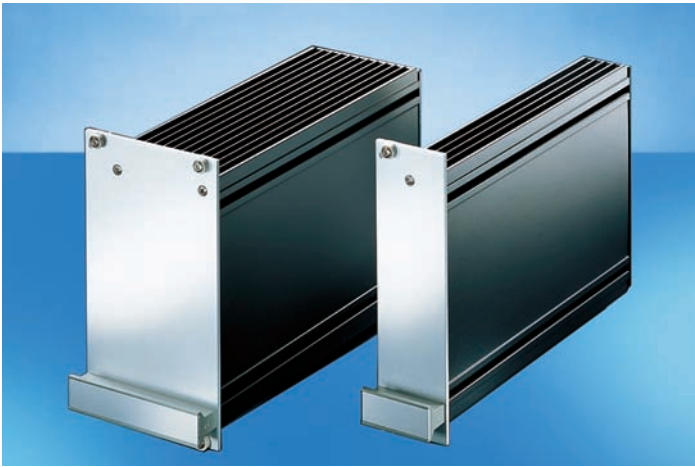


HF frame type plug-in units

HF frame type plug-in units, 3 U kits, front panel shielded



04892005

- With high shielding from high-frequency radiation
- Modules to accept boards in HP grid increments
- Module body solid on all sides, with cooling fins

Delivery comprises (kit)

Item	Qty	Description
1	1	Body tube, Al extrusion, black anodised, cut edges plain
2	1	Front panel, Al, 2.5 mm, with lateral grooves for EMC stainless steel gasket, alignment pin pressed-in, front anodised, rear iridescent green chromated
3	1	Plastic handle, trapezium shape, PPE, grey, identification plate, Al, anodised, cut edges plain
4	1	Rear panel, Al, 1.5 mm, etched without cut-outs
5	2	EMC sealing (steel, stainless)
6	1	Assembly kit

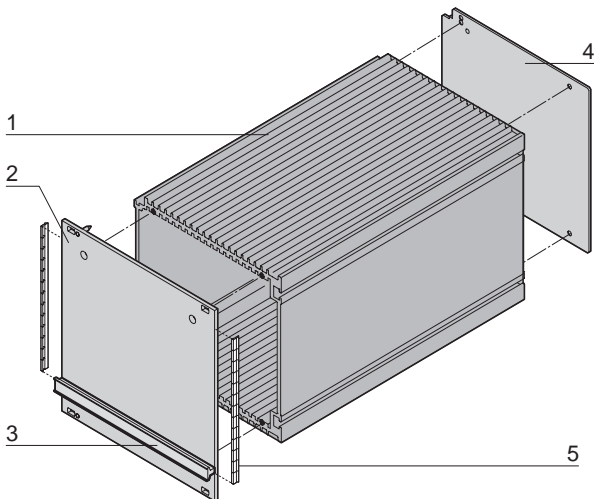


ServicePLUS see page 7.74

Technical data

HF plug-in unit HP	Thermal resistance K/W	
	Depth = 167 mm	Depth = 227 mm
7	1.68	1.51
10	1.62	1.46
12	1.56	1.40
14	1.50	1.35
21	1.06	0.95
28	0.94	0.85

Order Information



04802050

Height U	Width HP	Depth = 167 mm	Depth = 227 mm
		Part no.	Part no.
3	7	20809-529	20809-536
3	10	20809-530	20809-537
3	12	20809-531	20809-538
3	14	20809-532	20809-539
3	21	20809-533	20809-540
3	28	20809-534	20809-541

Note

- Dimension drawings see from page 7.92



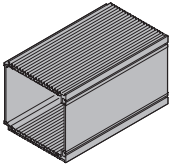
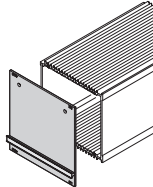
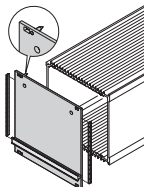
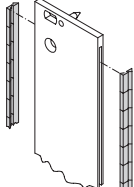
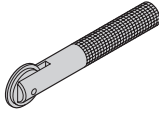
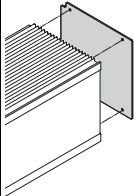
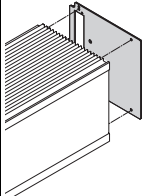
For further information www.schroff.biz/oneclick
oneClick search code = Part no.

HF frame type plug-in units ServicePLUS

Individual components

HF body tube, front panels with handle, rear panels

Order Information

		HF body tube	Shieldable front panel, with handle	Shieldable front panel, with handle			Rear panel	
		 KAA45832	 KAA45831	 04807074	 bga45760	 aza45937	 04807075	 KAA45834
		Al extrusion, black anodised, cut edges plain	Al, 2.5 mm, front anodised, rear iridescent green chromated; static handle, grey, PPE, UL 94 V-1	Al, 2.5 mm, front anodised, ear iridescent green chromated, with lateral grooves for stainless steel EMC gasket (please order separately), alignment pin pressed-in, static handle, grey, PPE, UL 94 V-1	inserted laterally into the slots of the front panel	for mounting the EMC stainless steel I gasket	Al, 1.5 mm, etched	Al, 2.5 mm, etched, cut-out for connector types EN 60603 (DIN 41612); 7 HP: B, C, D, R; 10 - 28 HP: B, C, D, R, F, H, MF, MH
Height U	Width HP	1 piece (SPQ 5) ¹⁾	1 piece (SPQ 5) ¹⁾	1 piece (SPQ 5) ¹⁾	PU 100 pieces	1 piece	1 piece (SPQ 5) ¹⁾	1 piece (SPQ 5) ¹⁾
Depth 167 mm								
3	7	30809-667	20838-001	20838-093	21101-705	24560-270	30809-635	30809-641
	10	30809-677	20838-002	20838-094			30809-636	30809-642
	12	30809-675	20838-003	20838-095			30809-637	30809-643
	14	30809-673	20838-004	20838-096			30809-638	30809-644
	21	30809-671	20838-005	20838-097			30809-639	30809-645
	28	30809-669	20838-006	20838-098			30809-640	30809-646
Depth 227 mm								
3	7	30809-668	20838-001	20838-093	21101-705	24560-270	30809-635	30809-641
	10	30809-678	20838-002	20838-094			30809-636	30809-642
	12	30809-676	20838-003	20838-095			30809-637	30809-643
	14	30809-674	20838-004	20838-096			30809-638	30809-644
	21	30809-672	20838-005	20838-097			30809-639	30809-645
	28	30809-670	20838-006	20838-098			30809-640	30809-646
Depth 1000 mm (without thread for front panel and rear panel)								
3	7	30809-679						
	10	30809-698						
	12	30809-699						
	14	30809-680	-	-	-	-	-	-
	21	30809-681						
	28	30809-682						
Dimension drawings see page		7.92	7.93				7.92	

1) SPQ (standard pack quantity): Order number includes 1 piece, but delivery is exclusively made in standard pack quantity (SPQ); please order at least the SPQ quantity or a multiple thereof

Part no. includes one packing unit (PU); delivery is exclusively made in PU



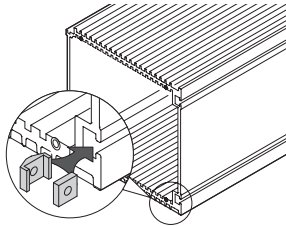
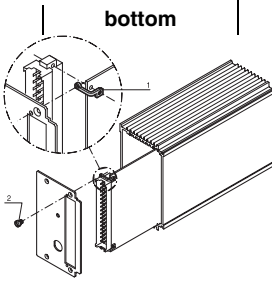
For further information www.schroff.biz/oneclick
oneClick search code = Part no.

HF frame type plug-in units ServicePLUS

Individual components

Slide nuts, fixing for PCBs, mounting kit

Order Information

		Slide nut		Fixing for PCBs			Mounting kit for one HF frame type plug-in unit	
		M 2.5	M 3	Individual components		Complete assembly kit		
		 <p>width across flats (WAF) 7, for insertion into HF body tube, provides lateral fixing (on right)</p> <p>04807076</p>		 <p>bracket (stainless steel), 1.5 mm; please order retention screws separately</p> <p>KAA45843</p>		<p>bracket top and bottom (stainless steel), 1.5 mm; incl. two cheesehead screws M2.5 x 4</p>		<p>for complete assembly of a 3 U HF frame type plug-in unit: front panel, rear panel and handle, description see page 7.91</p>
Height U	Width HP	PU 100 pieces	PU 100 pieces	1 piece (SPQ 10) ¹⁾	1 piece (SPQ 10) ¹⁾	PU 1 kit		
3	7							
	10							
	12	21100-112	21100-289	30809-701	30809-700	21101-937	21100-105	
	14							
	21							
	28							
Accessories								
Cheesehead screw M2.5 x 4, St, nickel-plated, PU 100 pieces		-	-	21100-431	21100-431	-	-	

1) SPQ (standard pack quantity): Order number includes 1 piece, but delivery is exclusively made in standard pack quantity (SPQ); please order at least the SPQ quantity or a multiple thereof

Part no. includes one packing unit (PU); delivery is exclusively made in PU



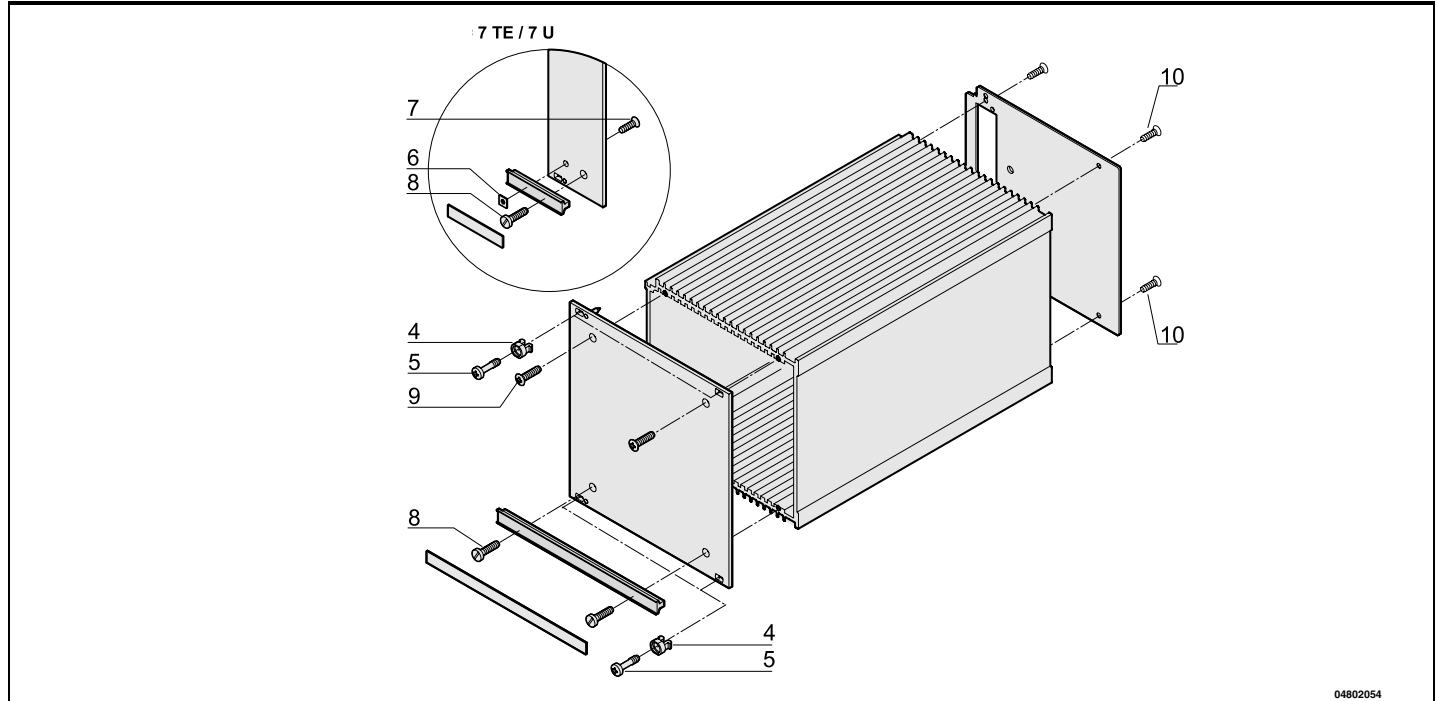
For further information www.schroff.biz/oneclick
oneClick search code = Part no.

HF frame type plug-in units ServicePLUS



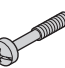
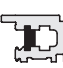
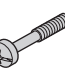
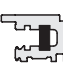


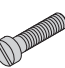


Individual components

Mounting kit (100 pieces)

Order Information



04802054

Description	Item		Required quantity per plug-in unit	Description	Qty/PU	Part no.
Plastic sleeve for form hole 5.9 x 3.3, PA, UL 94 V-2, grey	4	 aza45933	2 at 7 HP		100	21100-464
			4 at > 7 HP			
Pozidrive/slotted collar screw M2.5 x 11, St, nickel-plated	5	 aza46586	2 at 7 HP		100	21100-748
			4 at > 7 HP			
Pozidrive/slotted collar screw M2.5 x 12,3, St, nickel-plated	5	 aza46586	2 at 7 HP	 06107051	100	21101-101
			4 at > 7 HP			
Square nut DIN 562, M2.5, St, nickel-plated	6	 06705050	1 at 7 HP		100	21100-359
Pozidrive countersunk screw M2.5 x 12, St, nickel-plated	7	 aza45177	1 at 7 HP		100	21100-507
Slotted cheesehead screw M2.5 x 16, St, nickel-plated	8	 aza45467	1 at 7 HP		100	21100-150
			2 at > 7 HP			
Raised Pozidrive countersunk screw M2.5 x 8, St, nickel-plated	9	 06702056	2		100	21100-429
Pozidrive countersunk screw M2.5 x 6, St, nickel-plated	10	 06702056	4		100	21100-515

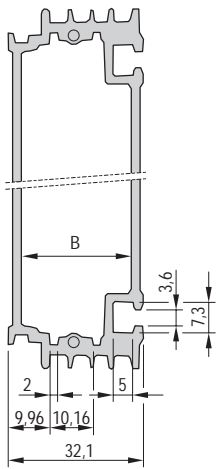
Note

■ Further collar screws and sleeves see page 7.100

HF frame type plug-in units ServicePLUS

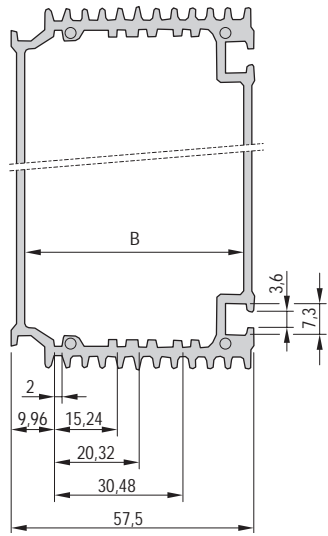
Dimension drawings HF body tube

7 HP



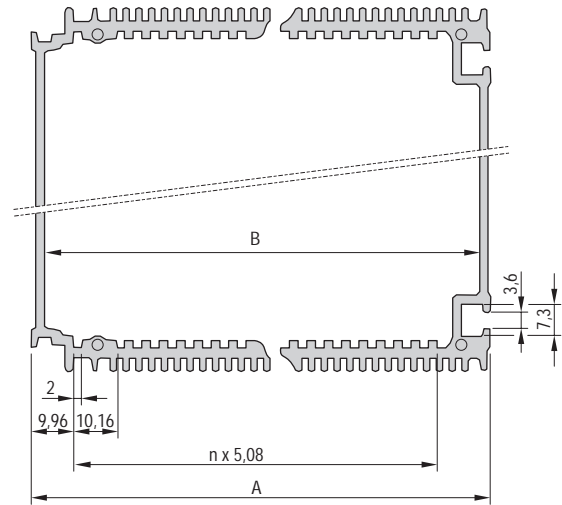
A4-247c

12 HP



04807079

10, 14, 21, 28 HP



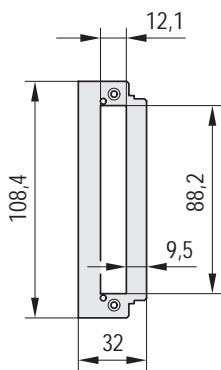
A4-247a

Dimensions table

Dimension	7 HP	10 HP	12 HP	14 HP	21 HP	28 HP
mm						
n	–	3 × 5.08	–	7 × 5.08	14 × 5.08	21 × 5.08
A	–	47.34	–	67.66	103.22	138.78
B	26.34	41.58	51.74	61.90	97.46	133.02

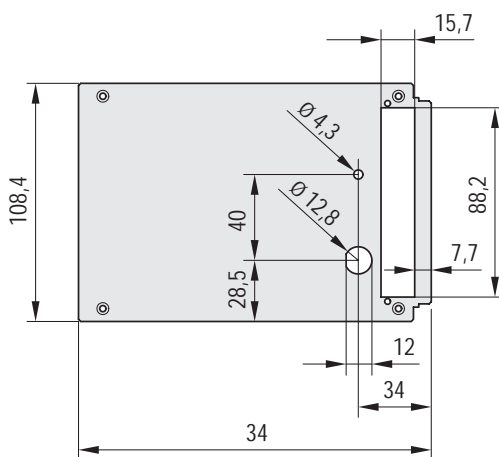
Dimension drawings rear panel with/without cut-out for single connector

7 HP



04807086

10, 12, 14, 21, 28 HP



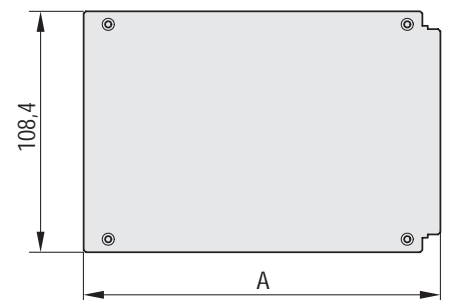
04802053

7 HP



04807087

10, 12, 14, 21, 28 HP



04807083

Dimensions table

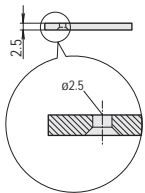
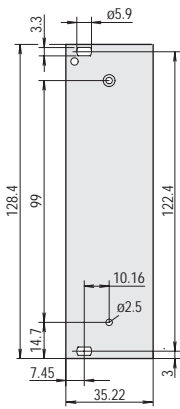
width	A
mm	
7 HP	32.00
10 HP	47.24
12 HP	57.40
14 HP	67.40
21 HP	103.12
28 HP	136.68

HF frame type plug-in units ServicePLUS

Dimension drawings front panels

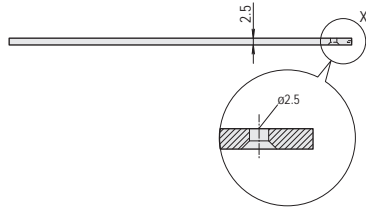
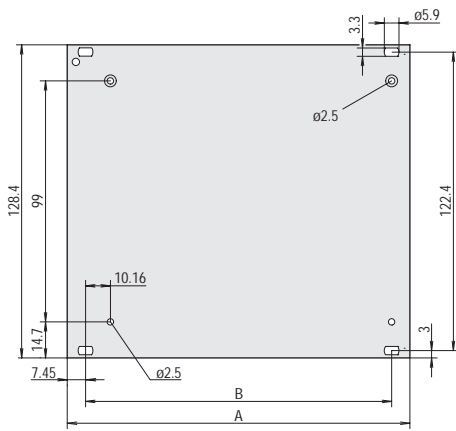
Unshielded

7 HP



KAA43073

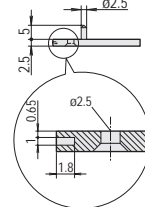
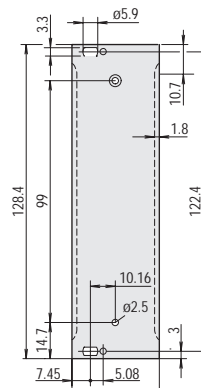
10, 12, 14, 21, 28 HP



04807084

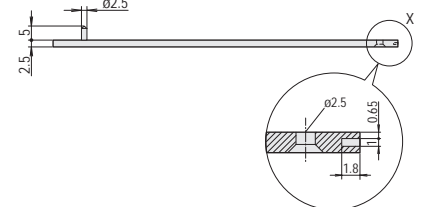
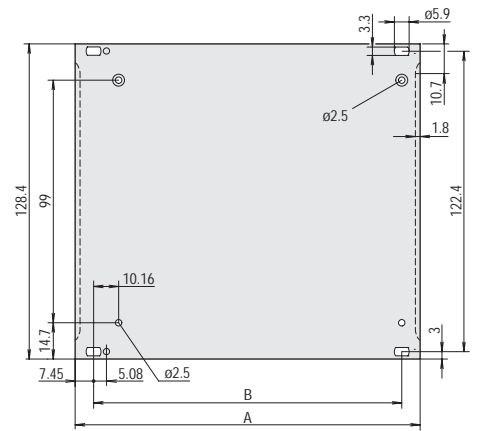
Shieldable, slotted for EMC stainless steel gasket

7 HP



04807085

10, 12, 14, 21, 28 HP

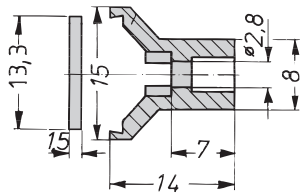


04803052

Dimensions table

width	A	w
	mm	mm
7 HP	32.22	—
10 HP	50.46	35.56
12 HP	60.62	45.72
14 HP	70.78	55.88
21 HP	106.34	91.44
28 HP	141.90	127.00

Dimension drawings front handle



A4-328e

Dimensions table

Width	Width
HP	mm
10 HP	49.4
12 HP	59.6
14 HP	69.7
21 HP	105.2
28 HP	140.8