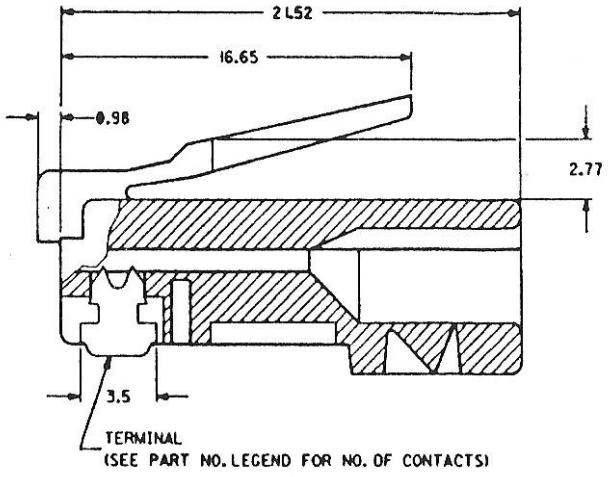
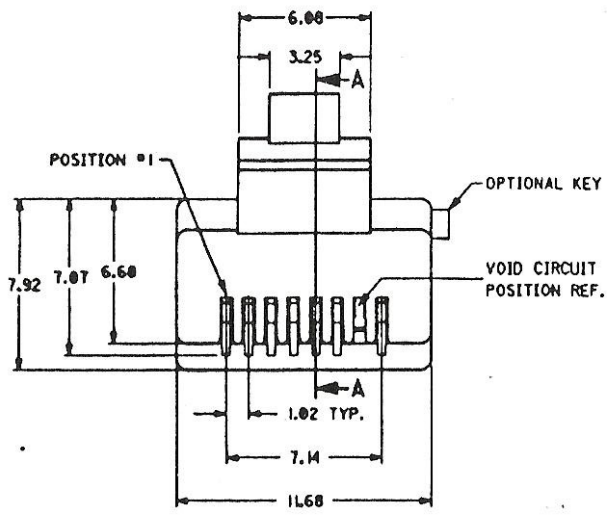
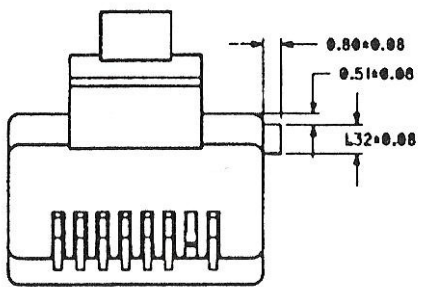


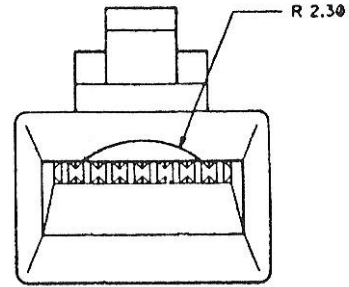
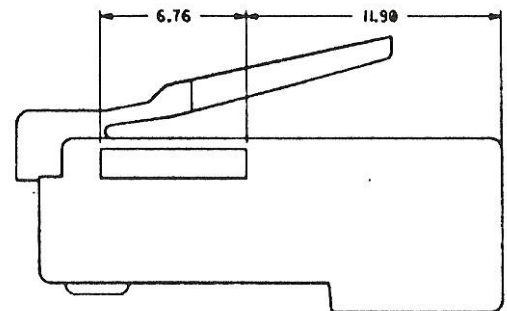
SDA-87281-0000



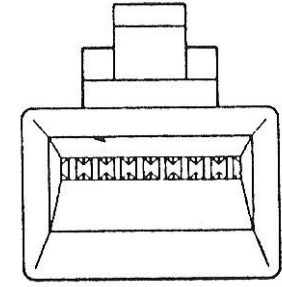
SECTION A-A



DIMENSIONS OF OPTIONAL KEY
87281-0000 - WITHOUT KEY
87281-0010 - WITH KEY



FOR ROUND CABLE
87281-0000



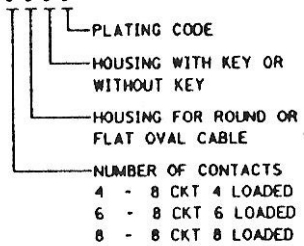
FOR FLAT OVAL CABLE
87281-0010

NOTES:

- PRODUCT TO BE PRODUCED WITH MXT LOGO
- PRODUCT INTENDED TO TERMINATE FLAT OVAL AND ROUND CABLE CONFORMING TO REA BULLETIN 345-80-PE 75
- PRODUCT INTENDED TO TERMINATE ROUND CABLE WILL BE USING CABLE INSERT (P/No. 87292) AS OPTIONAL
- HOUSING :- POLYCARBONATE, UL94V-2
TERMINAL :- 0.35mm THICK HIGH STRENGTH BRASS ALLOY
PLATING :- SELECTIVE GOLD PLATING ON CONTACT AREA WITH NICKEL UNDER COATING
SELECTIVE GOLD PLATING THICKNESS

- CODE - 1 : 0.00038mm AU
2 : 0.000762mm AU
3 : 0.00127mm AU

5. PART NUMBER LEGEND :- 87281 -



MM

		MATERIAL : SEE ABOVE		MOLEX F.E.M.L South SHEET 1 OF 1	
		FINISH : SEE ABOVE			
		WIRE RANGE : -----		GENERAL TOLERANCES ANGLE : ± 1° DIM : ± .25/.010	
		INS. RANGE : -----		ENG. NO. SDA-87281-0000	
A	RFW PER ERM 50563	FAY	900620	REV	A
LTR	REVISION RECORD	DR	DATE	DRAWN BY TAY	CHK'D BY <i>[Signature]</i>
REVISE ONLY ON CAD SYSTEM		CHK	DATE	APPR'D BY <i>[Signature]</i>	SCALE 4:1
				TITLE : 8 CKTS LONG BODY W/F PLING	