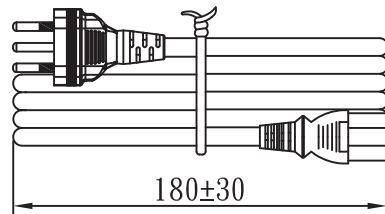
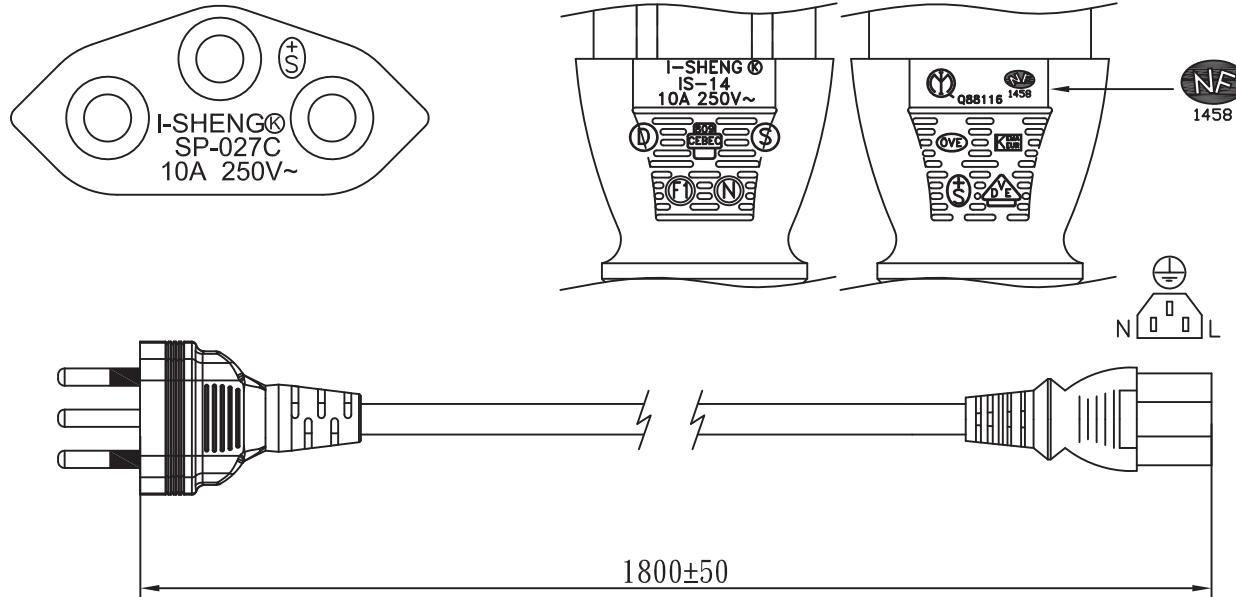


NO.	DATE	Change content	D. by	C. by	A. by
1	2012.06.26	Change P/N 43-309-60	TESS	汪华高	周家荣

No	BOM ITEM	Q' TY	P/N
1	SP-027C INSERT	1 pcs	MB027C12
2	PVC 50P(SP-027C)	18 g	RPP05012
3	KPR-14 BLADE	3 pcs	BBB14000
4	IS-14 INNER BODY	1 pcs	MI014000
5	PVC 50P (IS-14)	14.3g	RPP05012
6	PE TIE (BLACK, 6 inch)	1 pcs	KBBPE115



WIRING COLOR:

E: Yellow/Green
N: Blue
L: Brown

LENGED ON CORD: (凹字)

I-SHENG KSIS <VDE> KEMA-KEUR 凹凹凹 <VE> △ CEPEC 809 S D N NF-USE
1353 IEMMEQU H05VV-F 3G 0.75mm² 60227 IEC 53 RVV 300/500V CC A041481
3ASL/75 4V-75 V-75(75°C) 250/440V ORDINARY DUTY Q88228 -LF- CE

CABLE	H05VV-F 3G 0.75 DENT PRINT CT-12 (BLACK)				
PLUG	SP-027C + IS-14	LENGTH	1780	UNIT	mm
CLIENT	NAME	Elfa Distrelec	N/W	UNIT	kg
	P/N	102651	KS DWG	SR-1206172-1	VER. B
Maxxtro [®]				Design. by	TESS
				Review. by	汪华高
				Approval. by	周家荣
UC4 6B3016 12 180 00					