

# Product specification

TYPE: Pedal with potentiometer

ART NO: ZP05A-MIN-CAS-9728



Document Description:  
**Specification for pedal**

## 1) GENERAL INFORMATION

A compact floor-mounted pedal with dual return springs and all vital components protected inside the housing.

## 2) GENERAL SPECIFICATIONS

2.1 Operating angle	20°
2.2 Pedal Starting position	38°
2.3 Stepping force	~10N to ~60N
2.4 Total resistance value	Potentiometer 5kOhm ±15% (with single output 0-100%)
2.5 Independent linearity tolerance	±3%
2.6 Power rating	0.15W
2.7 Ingress Protection	IP 65
2.8 Temperature range	-40°C to +85°C
2.9 Storage temperature	-40°C to +85°C
2.10 Life expectancy	Approx. 2.000.000 operations
2.11 Switch electrical durability	Approx. 70.000 operations
2.12 Weight	1.000 g

## 3) MECHANICAL PERFORMANCES

3.1 Mechanical	With dual spring return mechanism
3.2 Mounting orientation	Floor mouting pedal
3.3 Pedal Mounting informations	See page 4

## 4) WIRING ASSEMBLY

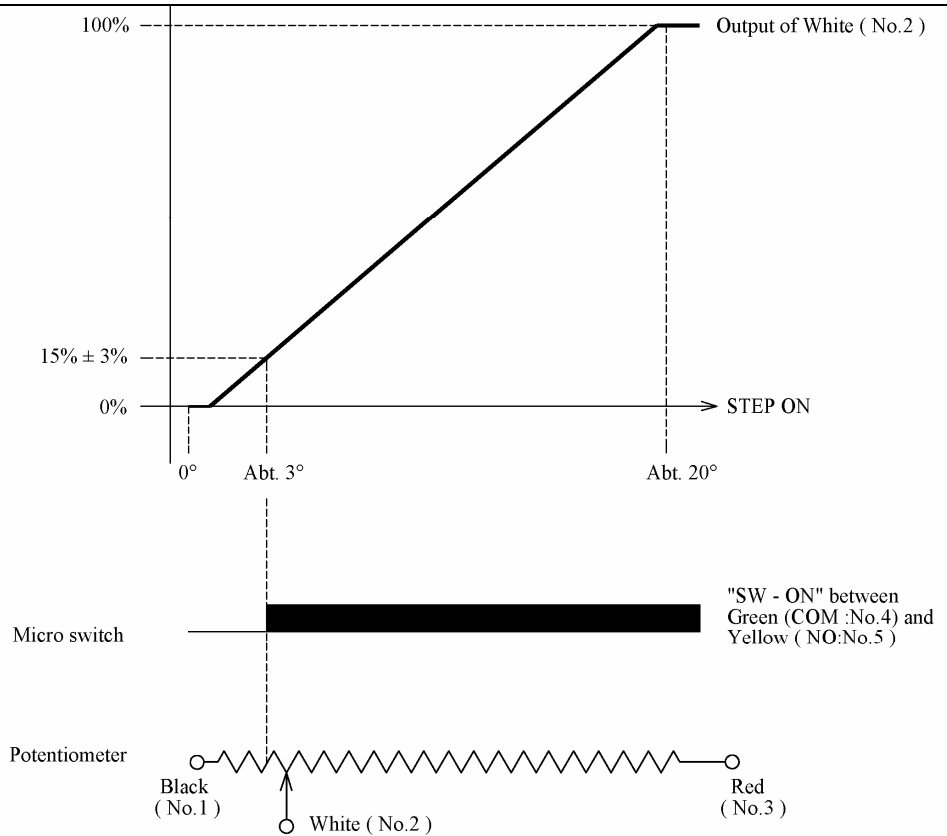
4.1 Wires	Flying leads 0.5mm <sup>2</sup>
4.2 Length	Abt. 1000 +/-100mm

Document Description:  
 Specification for pedal

**5) ELECTRICAL PERFORMANCE**

5.1 Micro switch rating	5A @ 125VAC
5.2 Independent linearity tolerance	±3% FS
5.3 EMC	100Vm

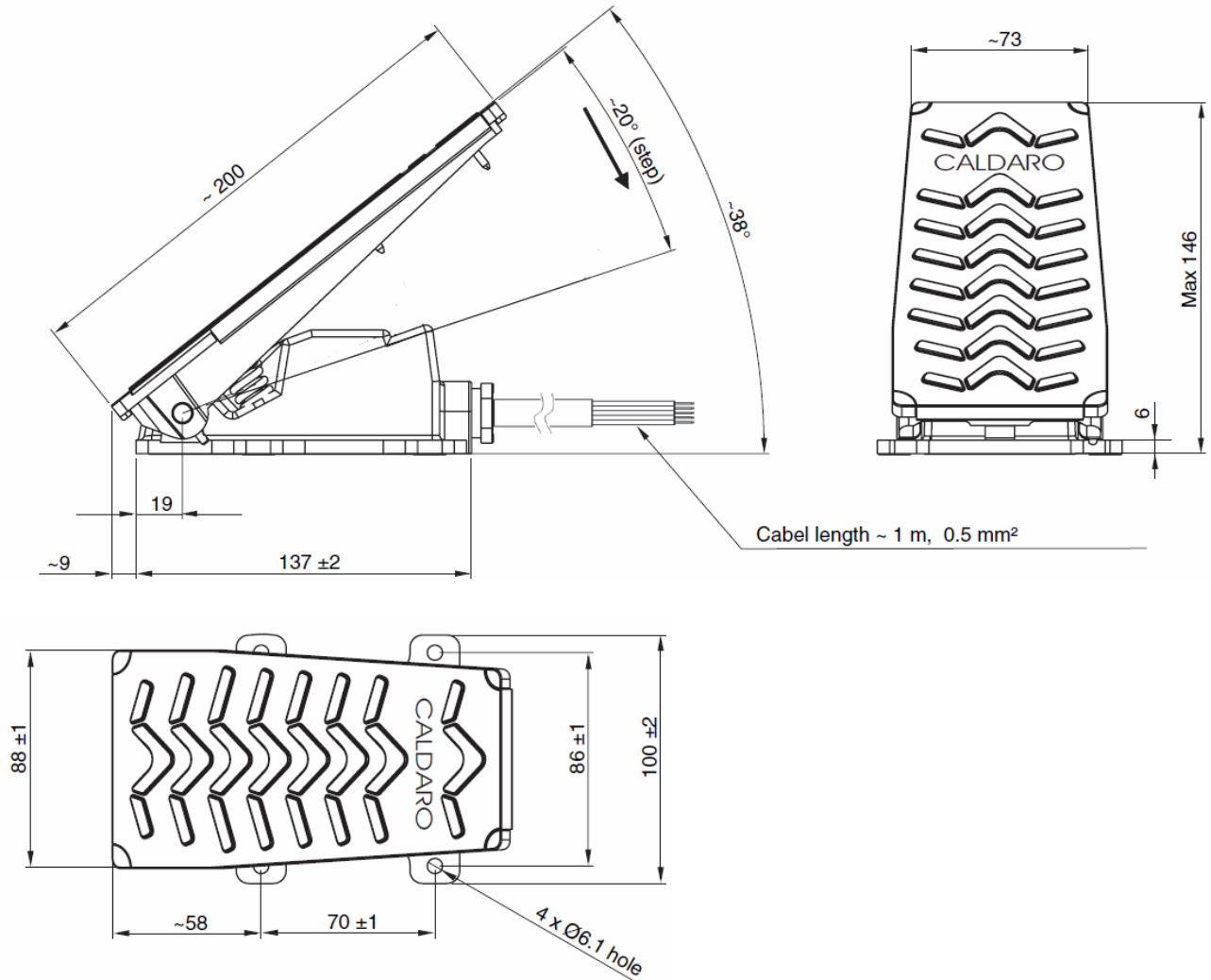
5.4 Output characteristics for potentiometer and micro switch



Document Description:  
 Specification for pedal

## 6) DIMENSIONS

(unit: mm)



## 7) PANEL ARRANGEMENT

