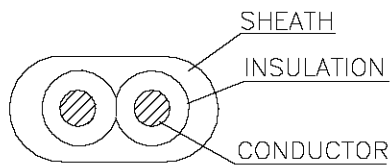


CORD SECTION:



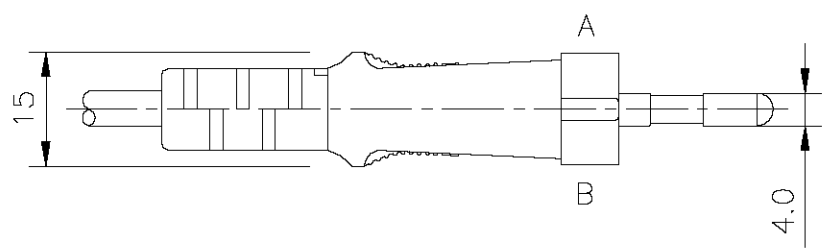
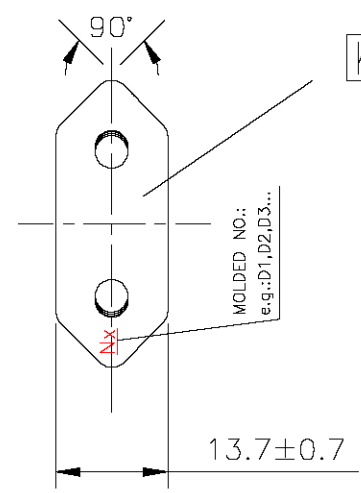
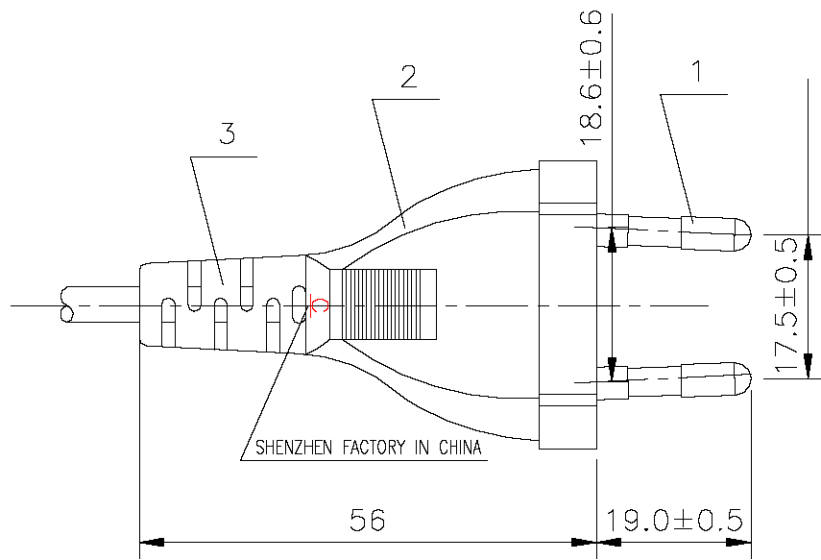
1. PVC MOLDED PLUG: PHP-205 (BLACK)
  2. PVC FLEXIBLE CORD: H05VVH2-F 2X0.75MM<sup>2</sup> (BLACK)
  3. ELLIPTIC TIE (BLACK)
  4. PVC MOLDED CONNECTOR: PHS-204 (BLACK)
- NOTE: ALL MATERIALS ARE RoHS COMPLIANT.

CORD MARKING:

PHINO H05VVH2-F 2X0.75mm<sup>2</sup> <VDE> KEMA-KEUR IEMMEQU +++++  
<öVE> CEBEC (S) (N) (D) (F) G TSA-2F N18895 SABS 1574:2001 227IEC53

CE Cn  
ROLL NO: 1,2,3...  
CHINA FACTORY

P/N	102680	TITLE	POWER SUPPLY CORD PHP-205 TO PHS-204		
		INTERNAL NO.	P205-XXXX		
DESIGNED	JOE 2008.11.10	UNIT	MM	SCALE	
CHECKED	HEXIANJUE	MATERIAL	<b>Maxxtro®</b>		
APPROVED	TANHUAGANG	PROJECTION			

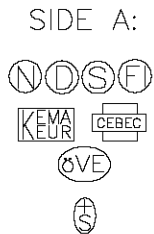
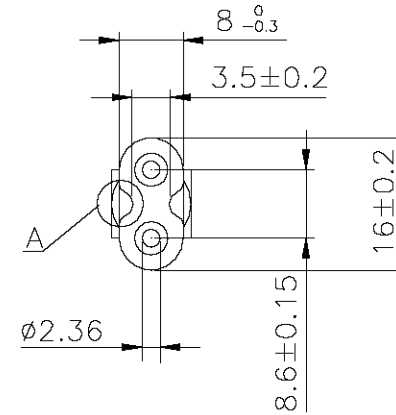
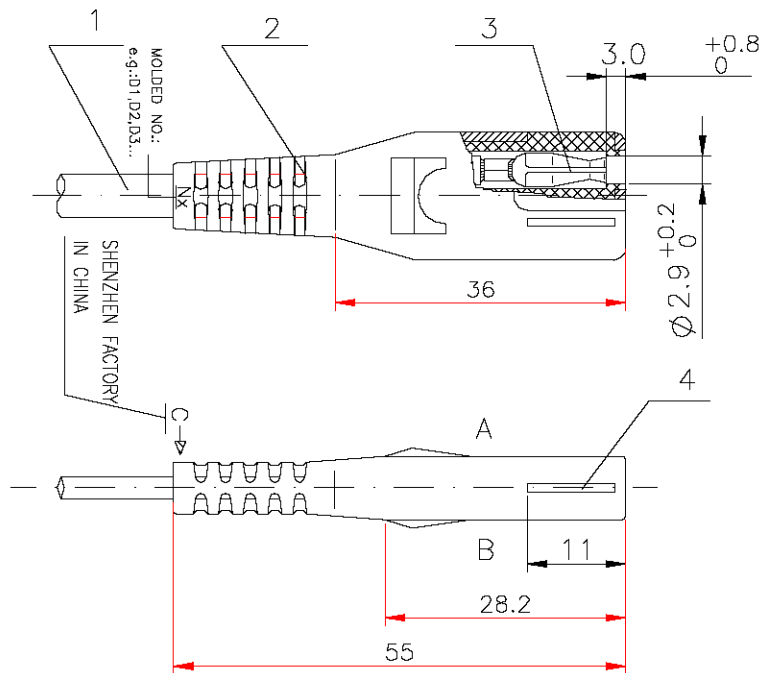


SIDE A: PHINO  
 SIDE B: PHP-205  
 2.5A 250V~

TOLERANCE:  
 >20:±2.0  
 ≤20:±1.0  
 ≤10:±0.5  
 ≤1.0:±0.3

- 1. PIN
- 2. PVC MOLDED PLUG:PHP-205
- 3. FLEXIBLE CORD

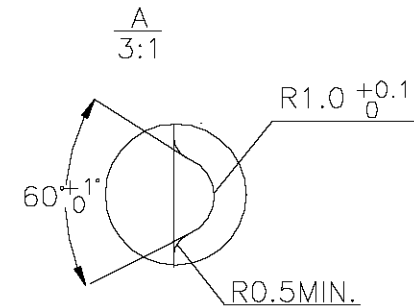
		TITLE	PHP-205		
		DRAWING NO.	FPO120043A		
DESIGNED	LI WEN WEN	UNIT	MM	SCALE	1:1
CHECKED		MATERIAL		<b>Maxxtro®</b>	
APPROVED		PROJECTION			



SIDE B:  
PHINO  
PHS-204  
2.5A 250V~

TOLERANCE:

>20:±2.0  
 <20:±1.0  
 <10:±0.5  
 <1.0:±0.3



1. PVC FLEXIBLE CORD.
2. PVC CONNECTOR BODY .
3. TERMINAL:  $\phi 2.36$  PHOSPHOR BRONZE TUBE .
4. INSERT OF CONNECTOR.

		TITLE	PHS-204		
		DRAWING NO.	FS0040079A		
DESIGNED	LIAO JING NAN	UNIT	MM	SCALE	1:1
CHECKED				<b>Maxxtro</b>	
APPROVED		PROJECTION			