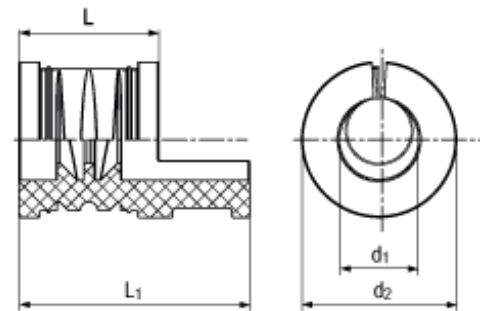


KADL



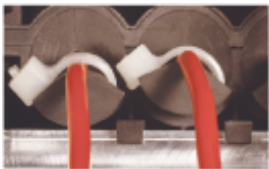
**BN 22051**

**Grommets**

as accessories for KADL

Thermoplastic elastomer TPE/TPV

- Accessories for Cable Entry System KADL (series F310-9xxx-zz)
- Due to the split grommets, pre-assembled cables with connectors can be inserted into housings and sealed
- For cables with diameter 3 to 32,5 mm
- Clamping range per grommet up to 2 mm
- Strain relief for cables
- Tool-free assembly
- Easy enlargements and adjustments
- Temperature range: -30 °C / +100 °C



\*geschlossen (ohne Schlitz und Bohrung)

Article#	d <sub>1</sub>	d <sub>2</sub>	L	L <sub>1</sub>	Type	Code
3819019	3-5	22,2	20	33	TK 3-5	F311-9001-01
3819021	5-7	22,2	20	33	TK 5-7	F311-9001-02
3819022	7-9	22,2	20	33	TK 7-9	F311-9001-03
3819023	9-11	22,2	20	33	TK 9-11	F311-9001-04
3819025	11-13	22,2	20	33	TK 11-13	F311-9001-05
3819026	13-15	22,2	20	33	TK 13-15	F311-9001-06
3819028	15-16	22,2	20	33	TK 15-16	F311-9001-07
3819029	–	22,2	20	–	TK G*	F311-9001-99
3819030	15-17	38,7	20	33	TG 15-17	F311-9002-01
3819031	17-19	38,7	20	33	TG 17-19	F311-9002-02
3819032	19-21	38,7	20	33	TG 19-21	F311-9002-03
3819033	21-23	38,7	20	33	TG 21-23	F311-9002-04
3819035	23-25	38,7	20	33	TG 23-25	F311-9002-05
3819037	25-27	38,7	20	33	TG 25-27	F311-9002-06
3819038	27-29	38,7	20	33	TG 27-29	F311-9002-07
3819039	29-31	38,7	20	33	TG 29-31	F311-9002-08
3819040	31-32,5	38,7	20	33	TG 31-32,5	F311-9002-09
3819042	–	38,7	20	–	TG G*	F311-9002-99

