

QMOT Motor QBL5704

Manual

57mm QMOT BLDC motor family



TRINAMIC

MOTION CONTROL

Trinamic Motion Control GmbH & Co. KG
Sternstraße 67
D - 20357 Hamburg, Germany
<http://www.trinamic.com>

Table of Contents

1	Features.....	3
2	Life support policy.....	4
3	Mechanical Dimensions.....	5
3.1	Leadwire Configuration.....	5
3.2	Dimensions.....	5
4	Torque figures.....	6
4.1	Motor QBL5704-94-04-032	6
4.2	Motor QBL5704-116-04-042	7
5	Motor Sizing.....	7
5.1	Peak torque requirement.....	7
5.2	RMS torque requirement.....	8
5.3	Motor velocity	8
6	Revision History.....	9
6.1	Documentation Revision.....	9

List of Figures

Figure 3.1:	Leadwire configuration.....	5
Figure 3.2:	Dimensions (all values in mm, hx describes drilling tolerance).....	5
Figure 4.1:	QBL5704-94-04-032 Velocity vs. Torque Characteristics.....	6
Figure 4.2:	QBL5704-116-04-042 Velocity vs. Torque Characteristics	7
Figure 5.1:	Rated motor velocity to average move velocity for point to point positioning.....	8

List of Tables

Table 1.1:	Motor technical data.....	3
Table 3.1:	Leadwire configuration.....	5
Table 6.1:	Documentation Revisions	9

1 Features

QMOT BLDC motors are quality motors for universal use. They feature a long life due to ball bearings and no wearing out parts. These BLDC motors give a good fit to the TRINAMIC family of medium and high current BLDC motor modules.

Main characteristics:

Hall Effect Angle: 120° electric angle

Shaft run out: 0,025 mm

Insulation Class: B

Radial Play: 0,02 mm 450G load

Max Radial Force: 75N (10mm from flange)

Max Axial Force: 15N

Dielectric Strength: 500 VDC For One Minute

Insulation Resistance: 100M Ohm min. 500VDC

Recommended Ambient Temp.: -20 to +40°C

Bearing: Brushless motors fitted with ball bearings

→ optimized for TCM-160, TCM-163 and TCM-170 modules

Specifications		QBL 5704	
		-94-04-032	-116-04-042
No. of Pole		4	4
No. of Phase		3	3
Rated Voltage	V	36	36
Rated Phase Current	A	5.08	6.67
Rated Speed	RPM	4000	4000
Rated Torque	Nm	0.32	0.42
Max Peak Torque	Nm	0.98	1.3
Torque Constant	Nm/A	0.063	0.063
Line to Line Resistance	Ohm	0.45	0.35
Line to Line Inductance	mH	1.4	1
Max Peak Current	A	16.5	20.5
Lenth (L_{MAX})	mm	94	116
Rotor Inertia	$kgm^2 \times 10^{-6}$	17,3	23
Mass	kg	1	1,25
Related Trinamic PANdrive		PD3-xxx-57	PD4-xxx-57

Table 1.1: Motor technical data

2 Life support policy

TRINAMIC Motion Control GmbH & Co. KG does not authorize or warrant any of its products for use in life support systems, without the specific written consent of TRINAMIC Motion Control GmbH & Co. KG.

Life support systems are equipment intended to support or sustain life, and whose failure to perform, when properly used in accordance with instructions provided, can be reasonably expected to result in personal injury or death.

© TRINAMIC Motion Control GmbH & Co. KG 2007

Information given in this data sheet is believed to be accurate and reliable. However no responsibility is assumed for the consequences of its use nor for any infringement of patents or other rights of third parties, which may result from its use.

Specifications subject to change without notice.

3 Mechanical Dimensions

3.1 Leadwire Configuration

Cable type 1	No.	Gauge	Function
Red	1	UL1007 AWG26	Vcc Hall Sensor +5VDC to +24VDC
Blue	2	UL1007 AWG26	Hall A
Green	3	UL1007 AWG26	Hall B
White	4	UL1007 AWG26	Hall C
Black	5	UL1007 AWG26	GND Hall Sensor Ground
Yellow	6	UL1007 AWG20	Phase U
Red	7	UL1007 AWG21	Phase V
Black	8	UL1007 AWG22	Phase W

Table 3.1: Leadwire configuration

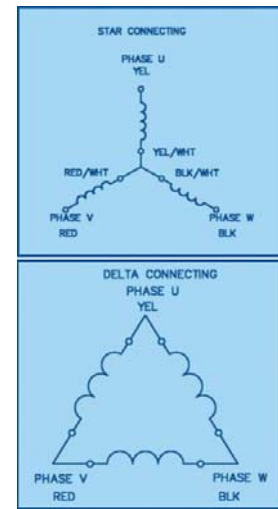


Figure 3.1: Leadwire configuration

3.2 Dimensions

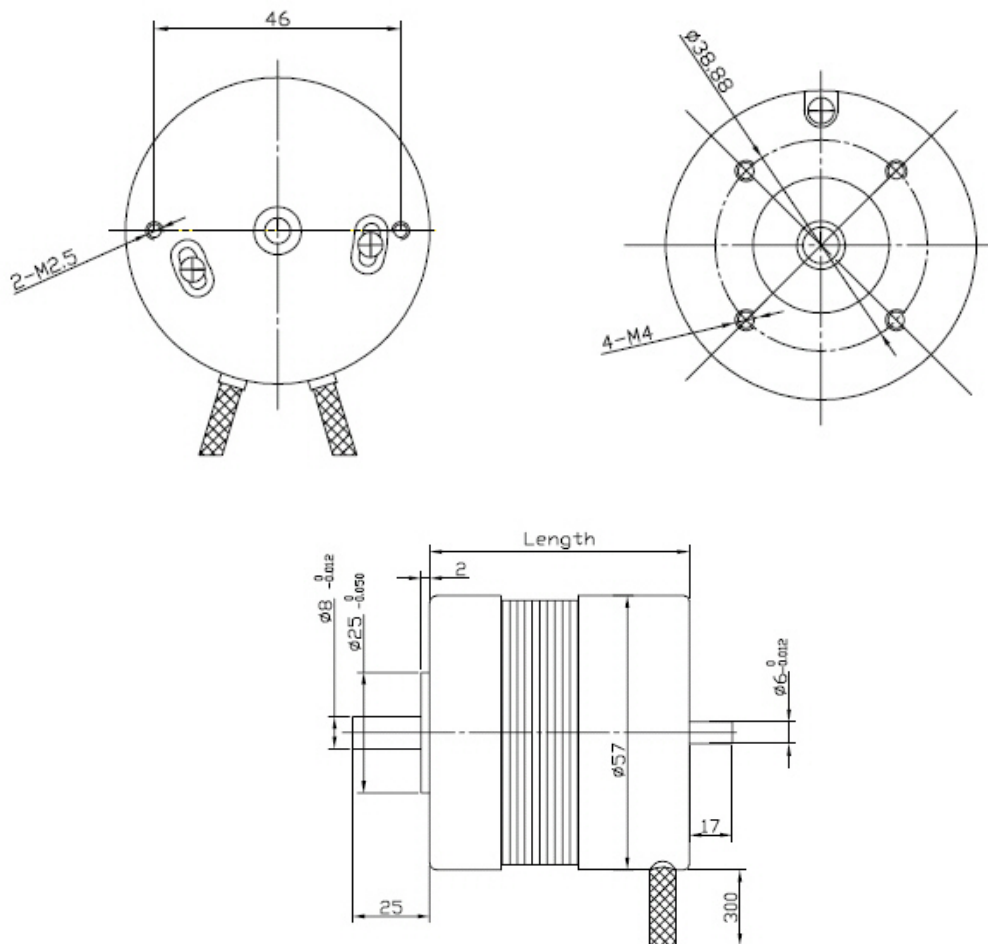


Figure 3.2: Dimensions (all values in mm, hx describes drilling tolerance)

4 Torque figures

The torque figures detail motor torque characteristics measured in block commutation. Please be careful not to operate the motors outside the blue field. This is possible for short times only because of a resulting high coil temperature. The motors have insulation class B. The blue field is described by rated speed and rated torque.

4.1 Motor QBL5704-94-04-032

Measured with 36V supply voltage

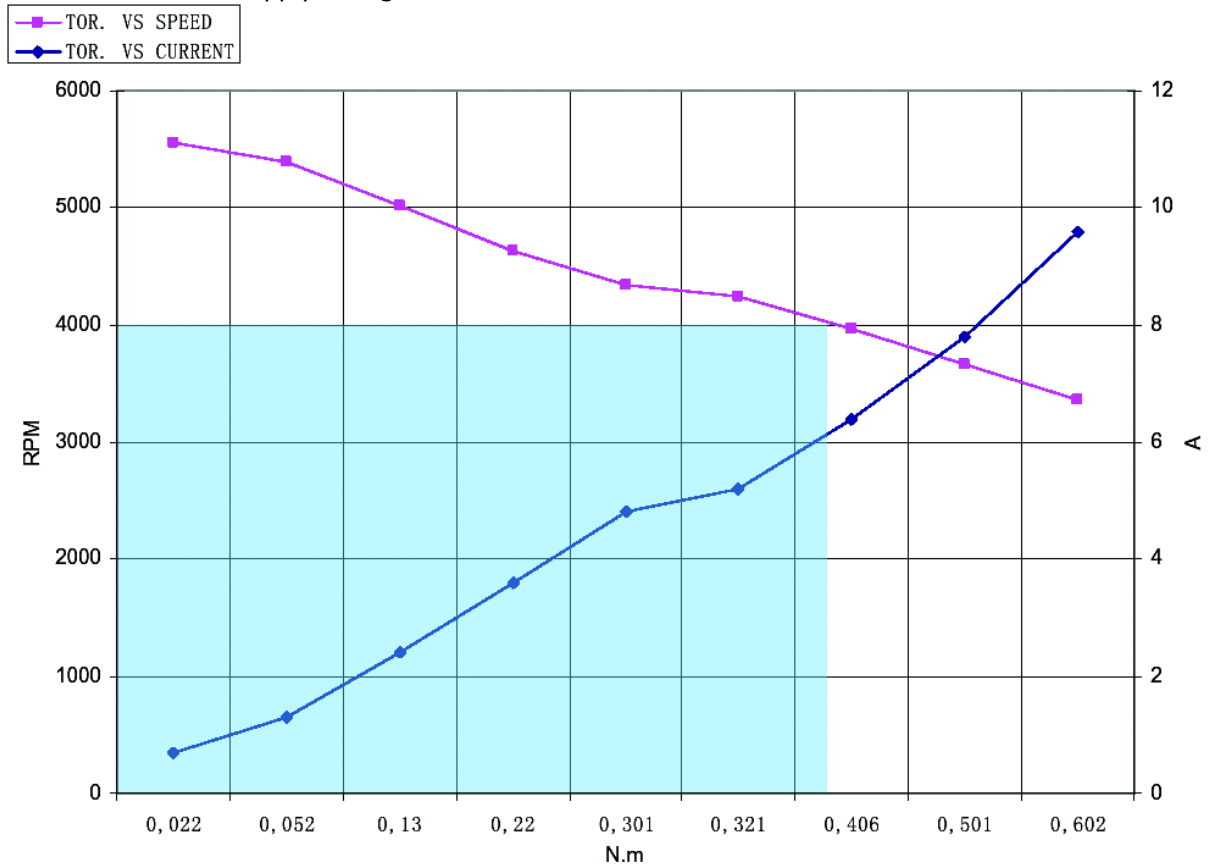


Figure 4.1: QBL5704-94-04-032 Velocity vs. Torque Characteristics

4.2 Motor QBL5704-116-04-042

Measured with 36V supply voltage

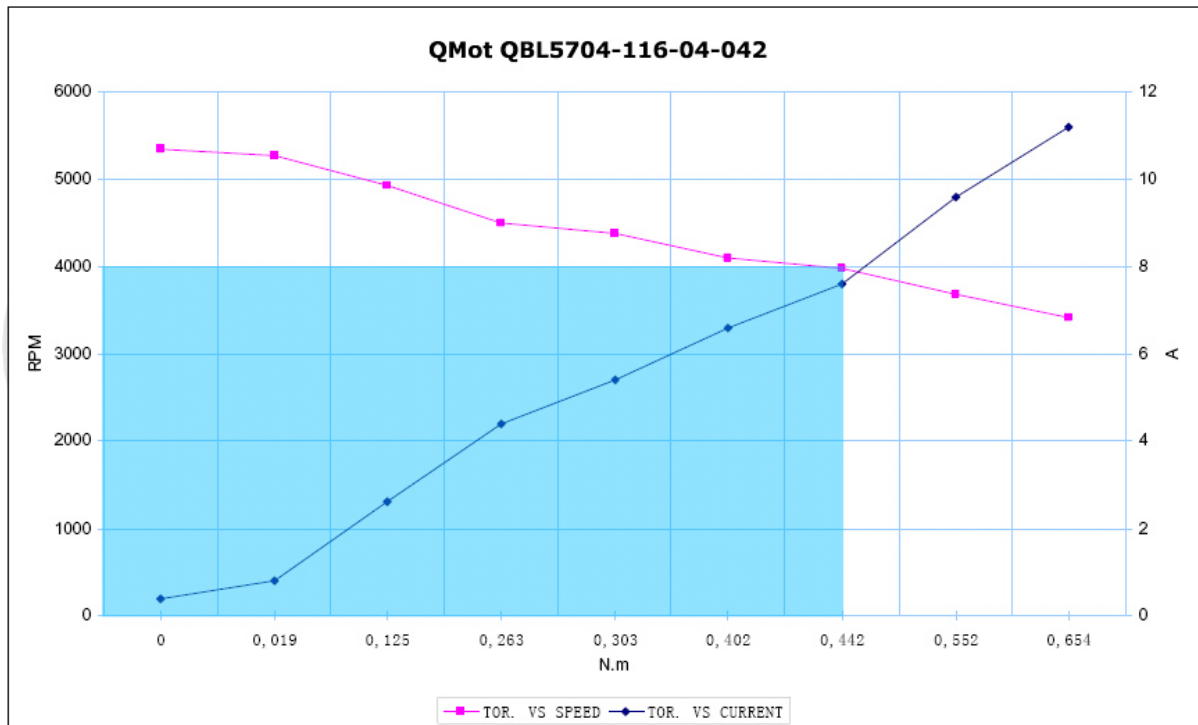


Figure 4.2: QBL5704-116-04-042 Velocity vs. Torque Characteristics

5 Motor Sizing

For the optimum solution it is important to fit the motor to the application. The three key parameters are peak torque requirement, RMS torque requirement and motor velocity.

5.1 Peak torque requirement

Peak torque T_p is the sum of the torque due to acceleration of inertia (T_J), load (T_L) and friction (T_F):

$$T_p = T_J + T_L + T_F$$

The torque due to inertia is the product of the load (including motor rotor) inertia and the load acceleration:

$$T_J = J \cdot a$$

The torque due to the load is defined by the configuration of the mechanical system coupled to the motor. The system also determines the amount of torque required to overcome the friction.

5.2 RMS torque requirement

Root-Mean-Square or RMS torque is a value used to approximate the average continuous torque requirement. Its statistical approximation is with

t1: acceleration time t2: run time t3: deceleration time t4: time in a move

$$T_{RMS} = \sqrt{\frac{T_P^2 \cdot t_1 + (T_L + T_F)^2 \cdot t_2 + (T_J - T_L - T_F)^2 \cdot t_3}{t_1 + t_2 + t_3 + t_4}}$$

5.3 Motor velocity

The motor velocity is also dictated by the configuration of the mechanical system that is coupled to the motor shaft, and by the type of move that is to be effected. For example, a single velocity application would require a motor with rated velocity equal to the average move velocity. A point to point positioning would require a motor with a rated velocity higher than the average move velocity. (The higher velocity would account for acceleration, deceleration and run times of the motion profile). Figure 5.1 relates rated motor velocity to average move velocity for two point to point positioning move profiles.

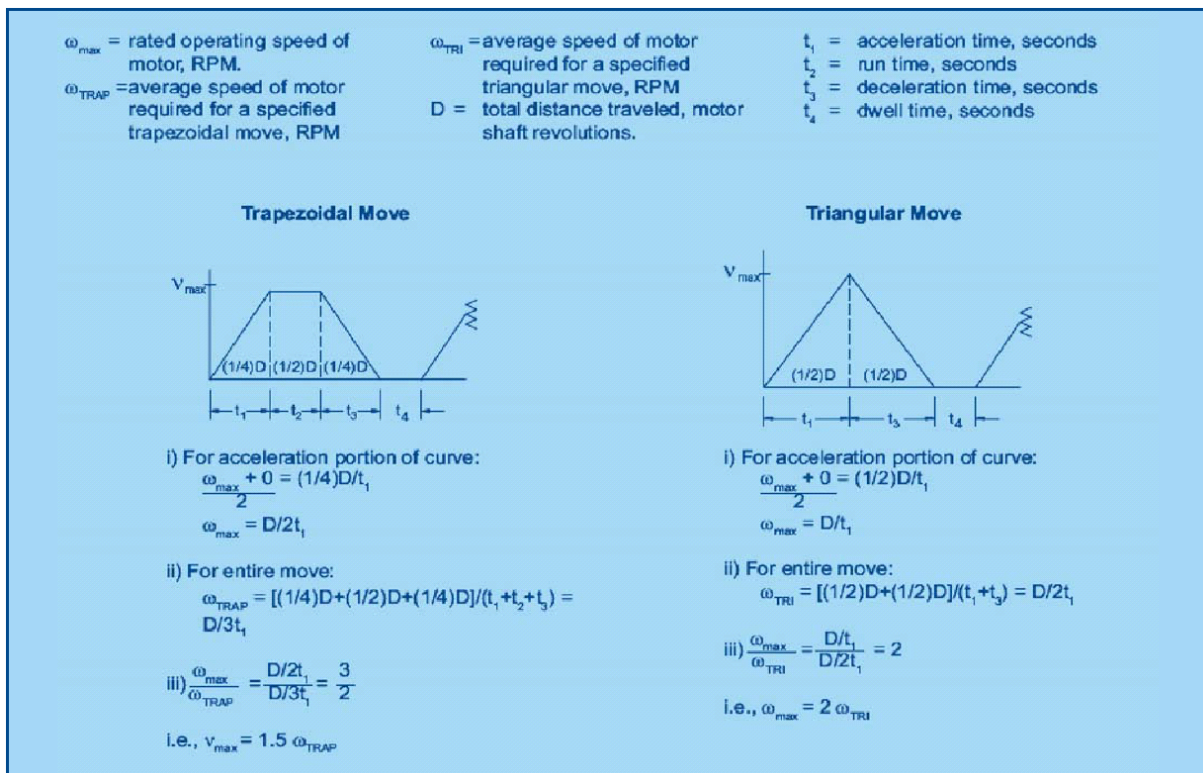


Figure 5.1: Rated motor velocity to average move velocity for point to point positioning

6 Revision History

6.1 Documentation Revision

Version	Date	Author	Description
1.00	09-May-2007	HC	Initial Release

Table 6.1: Documentation Revisions