



### Monitor drawer 1 U with 15" TFT

- 19" rack-mounted chassis 1 U, 480 mm deep
- Including installation kit for depth-variable mounting in enclosures/cases with depths from 600 – 900 mm
- Display pulls out forwards
- Lockable at the front
- Telescopic slides with integral clamp

**Material:**

Sheet steel, spray finished

**Colour:**

RAL 7035

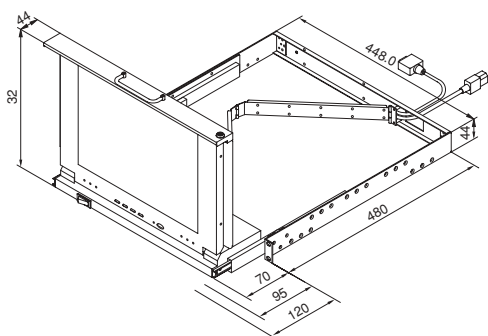
Special colours available on request

**Supply includes:**

Monitor drawer, fully populated, including assembly parts

**Protection category:**

IP 40



<b>Model No. RP</b>	<b>3659.660</b>
<b>Technical design</b>	
TFT screen with anti-reflection coated safety glass	15" (381 mm)
Maximum resolution	1024 x 768
Full screen	VGA + SVGA
Colours	16.7 million
Brightness	250 cd/m <sup>2</sup>
Contrast ratio	350 : 1
Mains voltage	100 – 240 V AC, 48 – 62 Hz
<b>Connections on the rear</b>	
Mains voltage	IEC 320 connection
Video input	Analog (D-SUB 15-pole, jack)
	Digital (DVI-D, jack)



### Mounting kit for VIP 6000 and Optipanel

For screw clamp.

For direct installation of command panels

Siemens Simatic:

- OP 270 10"
- MP 270B 10" keys
- MP 370 12" keys

**Material:**

Sheet steel, zinc-plated, passivated

**Supply includes:**

4 pressure plates

**Note:**

- The mounting set can only be installed vertically.
- Mounting in the VIP 6000 only in conjunction with end trim (see Cat. 31, page 163, design code 3.4.).

Packs of	<b>Model No. CP</b>
1 set	<b>6053.220</b>

Installation of the command panels TP 270 6", TP 270 10", OP 270 6", MP 270B 6", MP 270B 10" Touch, MP 370 12" Touch, MP 370 15" is achieved using adaptor plate CP 6329.009 (on request).

For mounting the adaptor plate, the mounting kit for bolts M5 CP 6053.500 (see Cat. 31, page 1037) is required.

All the command panels listed here may be mounted directly in our new Comfort Panel operating housing; a list may be found in the mounting kits for Comfort Panels, see page 33.



### USB extension with wall connection

For extending type A USB interfaces – e. g. of industrial PCs – to the outside of the enclosure. Wall connection of the USB jack only takes up as much space as a switch.

**Benefits:**

- Rapid access for maintenance work.
- The protection category of the enclosure is preserved.
- The lock nut cuts automatically into the spray-finish or eloxal layer, thereby creating a conductive connection.
- Captive protective cap.

**Material:**

Enclosure: Brass, nickel-plated

Cover: Aluminium, anodised

Seal: Polyamide

**Protection category:**

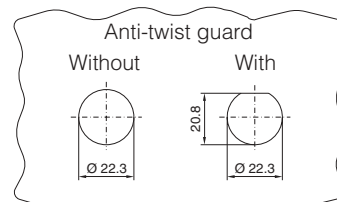
IP 66/67 to EN 60 529/10.91 (with the protective cap closed)

Length m	Packs of	<b>Model No. SZ</b>
0.5	1	<b>2482.210</b>
1.0	1	<b>2482.220</b>
2.0	1	<b>2482.230</b>



**Rittal service:**

Slots or installation ex-works in the Comfort Panel, Optipanel and VIP 6000 available on request. Cut-outs in many Rittal enclosures.



Material thickness: 1 – 6 mm