

Filter Code: **FPF15KRG-100**

Description: Filter Kit

MECHANICAL SPECIFICATIONS

Dimensions: **250x250x31 mm**
 Weight: **0,440 Kg**
 Type of material: **PC/ABS UL94V-0**
 Colour: **RAL 7032**
 Protection degree: **IP54 (EN60529)**
 Fastener: **by elastic hooks**
 Plate thickness: **from 1,5 to 2,2 mm**
 Storage temp.: **-30°C to +75°C**
 Electric connection: -
 Earth connection: -

OPERATING FEATURES

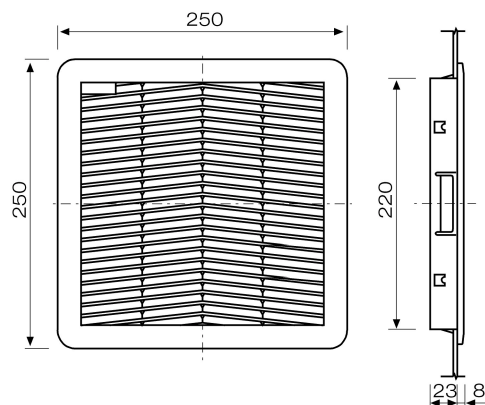
Rated voltage: -
 Rated frequency: -
 Rated power: -
 Rated current: -
 Fan speed: -
 Noise: -
 Operating temp.: **-30°C to +75°C**
 Relative humidity: **100% max**
 Life (L10) at 40°C: -

PERFORMANCES and APPROVALS

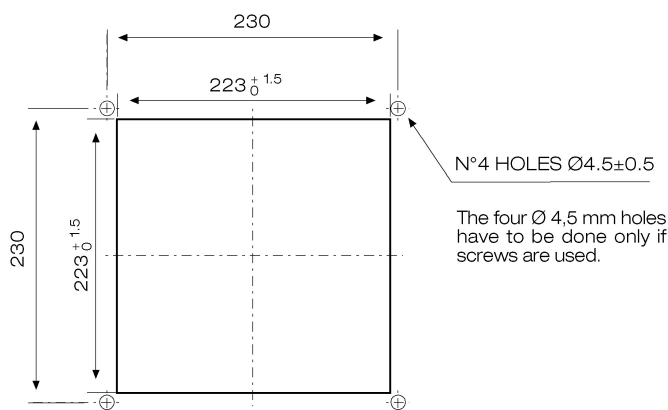
Max air flow: -
 Max static pressure: -
 Type of media: **P15/350S**
 Flammability: **F1 (DIN 53438)**
 Filtering class: **EU3 (DIN 24185)**
 Degree of separation: **85% (DIN 24185)**
 Degree of efficacy: **< 20% (DIN 24185)**
 Dust storage capacity: **600 g/m²**
 Approvals: **CE**

Note: the media is washable

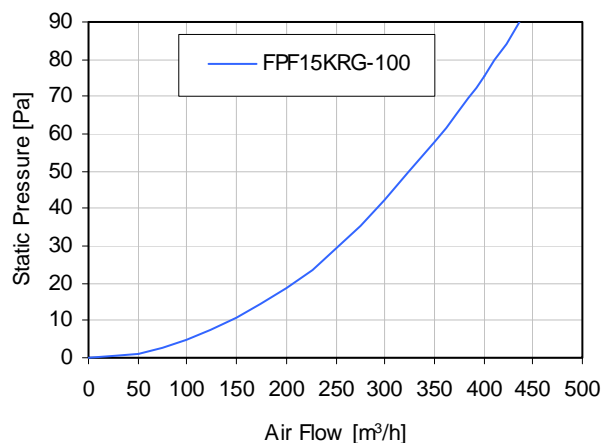
FILTER KIT DIMENSIONS [mm]



DIMENSIONS CUT-OUT [mm]



PERFORMANCE CURVES



All specifications, data and drawings are subject to change without notice and are approximate.

CSF-F01/4

Please refer to our terms of sales including our warranty and limited liabilities clauses.