

IEC appliance inlet C8, screw-on mounting, front/rear side, solder/quick connect terminal

new



Screw-On Version

C8

 70° C

**Description**

- Panel Mount:
Screw-on, front or rear-side
- Appliance Inlet, Pin temperature 70 °C, Protection class II

Approvals

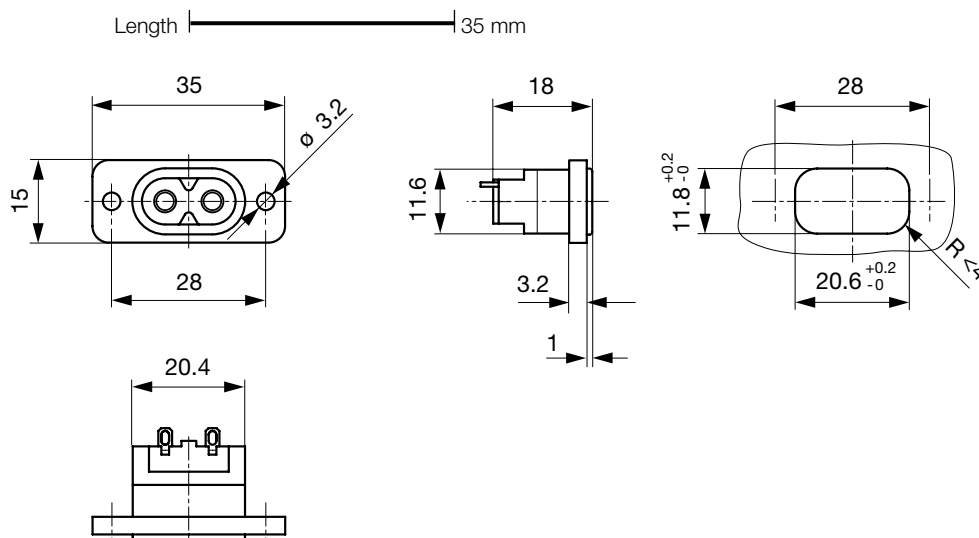
- VDE License Number: 40002274
- UL License Number: E45115
- CSA License Number: 27324

Weblinks

Approvals, RoHS, CHINA-RoHS, e-Store, SCHURTER-Stock-Check, Distributor-Stock-Check, Product Configurator

Technical Data

Ratings IEC	2.5 A / 250 VAC; 50 Hz	Appliance-Inlet/-Outlet	C8 acc. to IEC/EN 60320-1
Ratings UL/CSA	2.5 A / 250 VAC; 60 Hz		UL 498, CSA C22.2 no. 42 (for cold conditions) pin-temperature 70 °C, 2.5A, Protection class II
Dielectric Strength	> 4 kVAC between L-N > 2 kVAC between L/N-PE (1 min/50 Hz)		
Allowable Operation Temp.	-25 °C to 70 °C		
Degree of Protection	from front side IP 20 acc. to IEC 60529		
Protection Class	Suitable for appliances with protection class II acc. to IEC 61140		
Panel Thickness s	Screw-on Mounting screw torque max 0 Nm		
Material: Housing	UL 94V-0		

Dimensions

length of the terminal please find at the order code configuration table

Order Code

Product Configurator

2576 - H - A B C 0 - D - E G F

The characters are placeholders for the correspondingly keys of selections from the key tables.

2576 - **H** - A B C 0 - D - E G F = Design

Design	Configuration key
protection class 2	B

2576 - H - **A** B C 0 - D - E G F = Terminals

Terminal L	Configuration key
short solder terminal (L=4,8mm)	2
long solder terminal (L=8,5mm)	3
PCB-terminal (short)	5
PCB-terminal (long)	6
blade terminal (2,8x0,8mm)	7

2576 - H - A **B** C 0 - D - E G F = Terminals

Terminal N	Configuration key
short solder terminal (L=4,8mm)	2
long solder terminal (L=8,5mm)	3
PCB-terminal (short)	5
PCB-terminal (long)	6
blade terminal (2,8x0,8mm)	7

Symbols similar as in table A

2576 - H - A B **C** 0 - D - E G F = Terminals

Terminal Ground	Configuration key
without terminal	0

Symbols similar as in table A

2576 - H - A B C 0 - **D** - E G F = Color

Color	Configuration key
jet black; RAL9005	A
silver grey; RAL7001	B
pure white; RAL9010	D

Standard color: black

2576 - H - A B C 0 - D - **E** G F = Design

Design	Configuration key
flange with through holes	2

2576 - H - A B C 0 - D - E **G** F = Mass X

Dimension "X"	Configuration key
00	

The dimension "X" is displayed in (¹/₁₀ mm). This information is also valid for the order code

2576 - H - A B C 0 - D - E G **F** = Ausrichtung Anschlüsse

Ausrichtung Anschlüsse	Configuration key
horizontal	A
vertical	B

Variants

[Distributor-Stock-Check](#) | [SCHURTER-Stock-Check](#) | [e-Store](#)

Order Code	Description	Order Number
2576-X-2200-A-200A	2576, IEC Appliance Inlet C8, 70°C, Schutzklasse II, L: short solder terminal (L=4,8mm), N: short solder terminal (L=4,8mm), Erde: without terminal, Farbe jet black; RAL9005, Bauform: flange with through holes, Mass X: 00	6160.0021
2576-X-7700-A-200A	2576, IEC Appliance Inlet C8, 70°C, Schutzklasse II, L: blade terminal (2,8x0,8mm), N: blade terminal (2,8x0,8mm), Erde: without terminal, Farbe jet black; RAL9005, Bauform: flange with through holes, Mass X: 00	6160.0022
2576-X-7700-A-200B	2576, IEC Appliance Inlet C8, 70°C, Schutzklasse II, L: blade terminal (2,8x0,8mm), N: blade terminal (2,8x0,8mm), Erde: without terminal, Farbe jet black; RAL9005, Bauform: flange with through holes, Mass X: 00	6160.0023
2576-X-3300-A-200B	2576, IEC Appliance Inlet C8, 70°C, Schutzklasse II, L: long solder terminal (L=8,5mm), N: long solder terminal (L=8,5mm), Erde: without terminal, Farbe jet black; RAL9005, Bauform: flange with through holes, Mass X: 00	6160.0028

The listed variants should be available from stock Other versions on request www.schurter.com/contact

Packaging unit

100 Pcs

Accessory**Description**

Assorted Covers
Rear Cover

Mating Outlets/Connectors**Category / Description****Power Supply or Interconnection Cord**

Power Cord with IEC Appliance Plug C7, straight 70°C	2510
Power Cord with IEC Appliance Plug C7, angled, 70°C	2511
Power Cord with IEC Appliance Plug C7, angled, 70°C	2514
Power Cord with IEC Appliance Plug C7, straight 70°C	4810