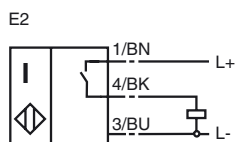


**Model Number**

NBN40-U1-E2

Features

- 40 mm not embeddable
- 4 LEDs indicator for 360° all-round visibility

Connection**Accessories****V1-M20-80**

Receptacles

V1-W

Non pre-wired cable socket

V1-G-2M-PUR

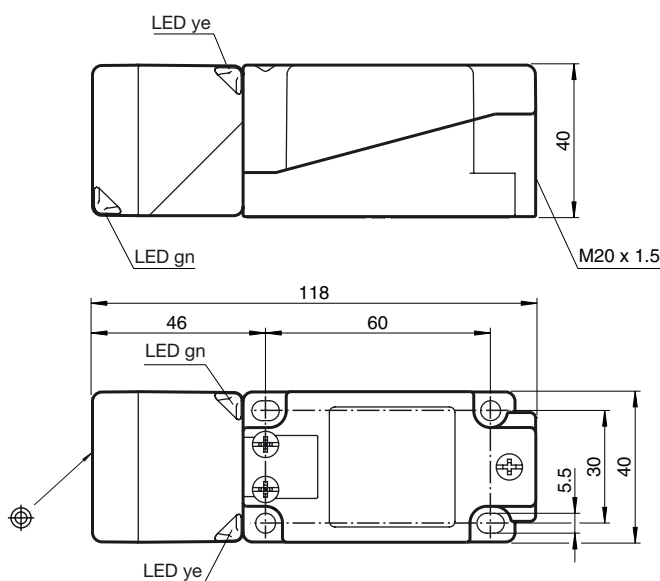
Cable connector

MHW 01

Mounting aid

V1-W-2M-PUR

Cable connector

Dimensions**Technical Data****General specifications**

Switching element function	PNP Make function
Rated operating distance	s_n 40 mm
Installation	not embeddable
Output polarity	DC
Assured operating distance	s_a 0 ... 32.4 mm
Reduction factor r_{Al}	0.31
Reduction factor r_{Cu}	0.3
Reduction factor r_{V2A}	0.74
Reduction factor r_{Brass}	0.39

Nominal ratings

Operating voltage	U_B	10 ... 30 V
Switching frequency	f	0 ... 150 Hz
Hysteresis	H	typ. 5 %
Reverse polarity protection		protected against reverse polarity
Short-circuit protection		pulsing
Voltage drop	U_d	≤ 2 V
Operating current	I_L	0 ... 200 mA
Off-state current	I_r	0 ... 0.5 mA typ. 0.01 mA
No-load supply current	I_0	≤ 20 mA
Operating voltage display		LED, green
Indication of the switching state		LED, yellow

Standard conformity

Standards	IEC / EN 60947-5-2:2004
-----------	-------------------------

Ambient conditions

Ambient temperature	-25 ... 85 °C (248 ... 358 K)
---------------------	-------------------------------

Mechanical specifications

Connection type	terminal compartment M20, core cross-section $\leq 2,5$ mm ²
Housing material	PA/metal
Sensing face	PA
Protection degree	IP67 / IP69K
Mass	225 g
Note	Tightening torque: 1.8 Nm (housing) Tightening torque: 1.0 Nm (Screw terminal)

Approvals and certificates

UL approval	cULus Listed, General Purpose
-------------	-------------------------------