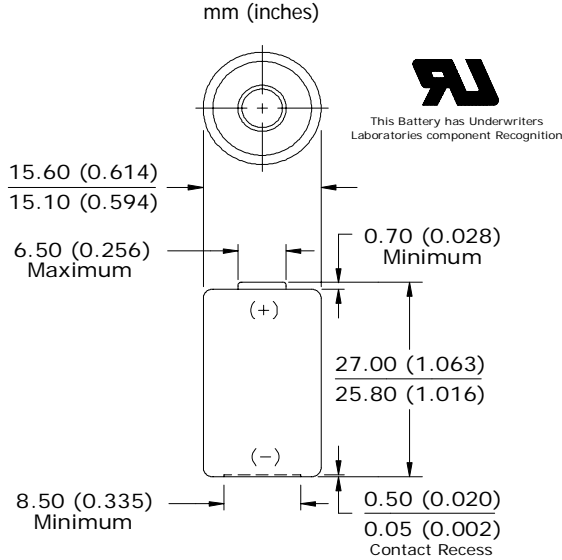


ENERGIZER 1CR2 (EL1CR2)



Industry Standard Dimensions



This battery contains a Positive Temperature Coefficient (PTC) safety device to limit current during short circuit conditions.

Simulated Application Tests

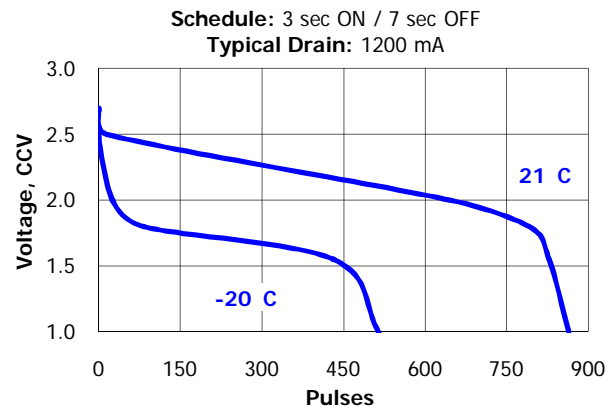
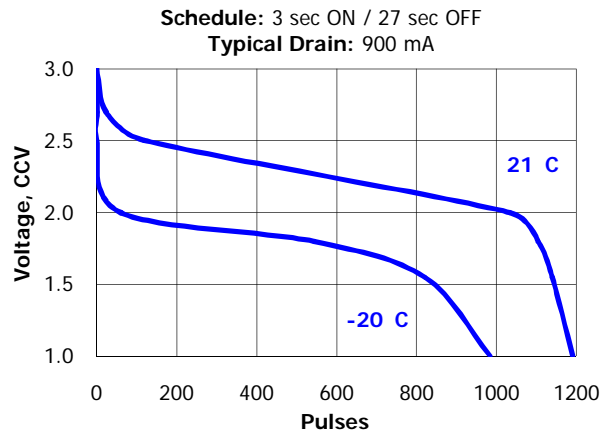
Typical Performance at 21°C (70°F)

Schedule (time)	Drain (mA)	Load (ohms)	Cutoff Voltage		
			2.0V (hours)	1.55V (pulses)	1.0V (pulses)
Continuous	---	100	34	---	---
Continuous	1000	---	0.5	---	---
3 sec ON 7 sec OFF	1200	---	---	---	860
3 sec ON 27 sec OFF	900	---	---	1140	---

Specifications

- Classification:** "Lithium Photo"
- Chemical System:** Lithium / Manganese Dioxide (Li/MnO<sub>2</sub>)
- Designation:** ANSI - 5046LC, IEC-CR2
- Nominal Voltage:** 3.0 Volts
- Storage Temp:** -40°C to 60°C (-40°F to 140°F)
- Operating Temp:** -40°C to 60°C (-40°F to 140°F)
- Typical Capacity:** 800 mAh (to 2.0 volts)  
(Rated at 100 ohms at 21°C)
- Typical Weight:** 11 grams (0.4 oz.)
- Typical Volume:** 5.2 cubic centimeters (0.3 cubic inch)
- Max Discharge:** 1000 mA continuous (2500 mA pulse)
- Max Rev Charge:** 3 microampere
- Typical Li Content:** 0.28 grams (0.010 oz.)
- UL Listed:** MH12454
- Shipping:** For complete details, please reference:  
Global (except US): Special Provision A45 of the International Air Transport Association Dangerous Goods Regulations  
United States: 49 CFR 173.185

Typical Discharge Characteristics



Important Notice

This datasheet contains typical information specific to products manufactured at the time of its publication.  
©Energizer Holdings, Inc. - Contents herein do not constitute a warranty.