

# Electrostatic Sensor

- Potential measurement:  $\pm 20$  kV (detected at a 50 mm distance)  
 $\pm 0.4$  kV (detected at a 25 mm distance)
- Detects the electrostatic potential and outputs in an analog voltage.
  - Output voltage: 1 to 5 V (Output impedance: Approx. 100  $\Omega$ )

The importance of the static electric control is put on confirming the “actual status”.

The additional  $\pm 20$  kV range broadens your coverage of electrostatic potential measurement applications!



Electrostatic sensor  
Series IZD10

- Output: Switch output x 2 + Analog output (1 to 5 V, 4 to 20 mA)
- Minimum unit setting: 0.001 kV (at  $\pm 0.4$  kV), 0.1 kV (at  $\pm 20$  kV)
- Display accuracy:  $\pm 0.5\%$  F.S.  $\pm 1$  digit or less
- Detection distance correction function (adjustable in 1 mm increments)
- Supports two types of sensors ( $\pm 0.4$  kV and  $\pm 20$  kV) through range selection



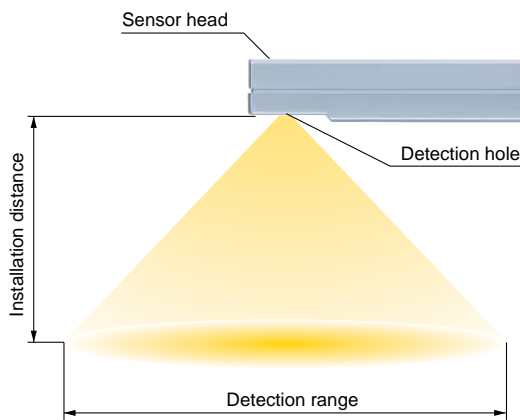
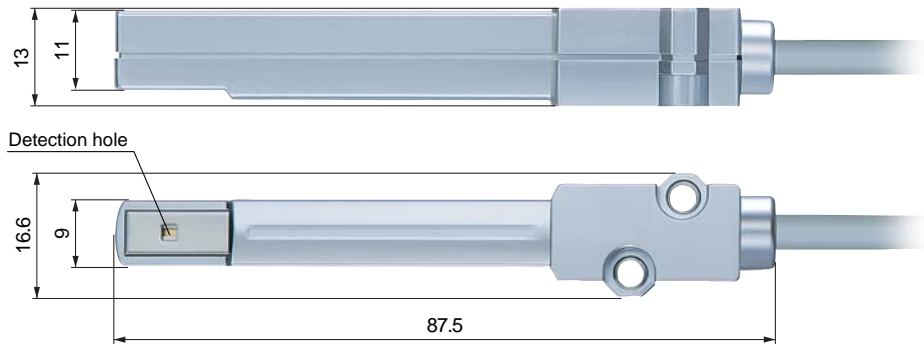
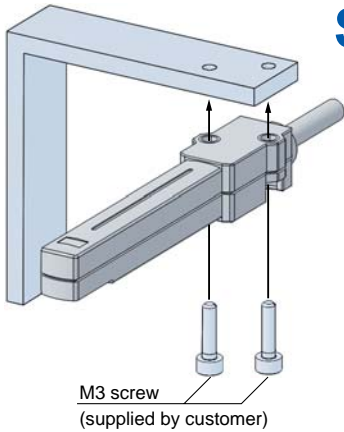
Electrostatic sensor monitor Series IZE11

Series IZD10/IZE11

# Electrostatic Sensor / Series IZD10

## Small and easy to mount

Dimensions (actual size)



Installation distance  
**10 to 50 mm**  
 IZD10-110 ( $\pm 0.4$  kV)  
**25 to 75 mm**  
 IZD10-510 ( $\pm 20$  kV)

### Installation Distance and Detection Range

#### IZD10-110

Note 1) Potential measurement:  $\pm 0.4$  kV

Installation distance (mm)	Detection range (mm)
10	45
20	85
25 <sup>Note 1)</sup>	100
30	120
40	150
50	180

#### IZD10-510

Note 2) Potential measurement:  $\pm 20$  kV

Installation distance (mm)	Detection range (mm)
25	100
30	120
40	150
50 <sup>Note 2)</sup>	180
60	205
70	225
75	235

# Electrostatic Sensor Monitor / Series IZE11

## 2-color display (Red/Green)

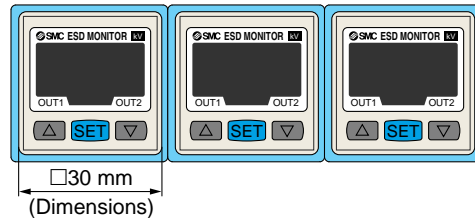
Able to set the display color in 4 patterns.



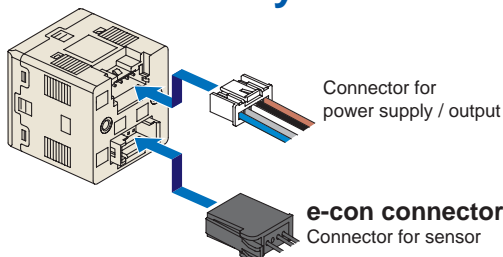
Pattern	ON	OFF
①	Red	Green
②	Green	Red
③	Red	Red
④	Green	Green

## Mountable even with a sensor touched with each other

Able to reduce the man-hour for cutting a panel.



## Connection by connector



## Functions

- Detection distance correction
- Peak/Bottom value displayable
- Key lock
- Zero-adjust
- Error display
- Switch output anti-chattering
- Selection of connection sensor

# Series IZD10

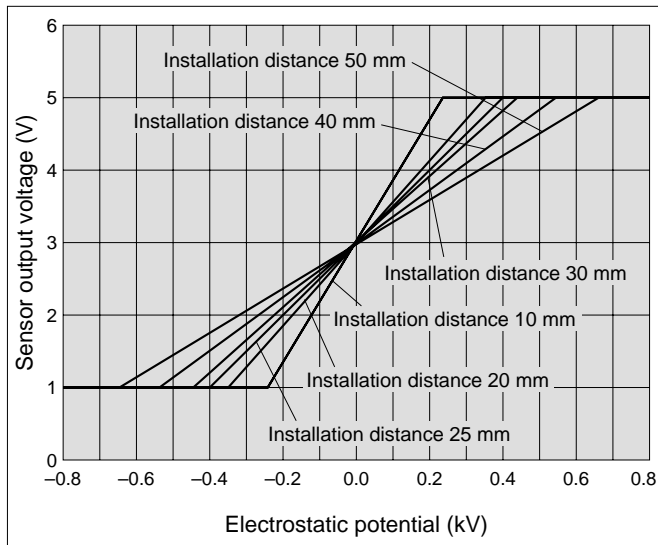
## Technical Data

### Output Signal

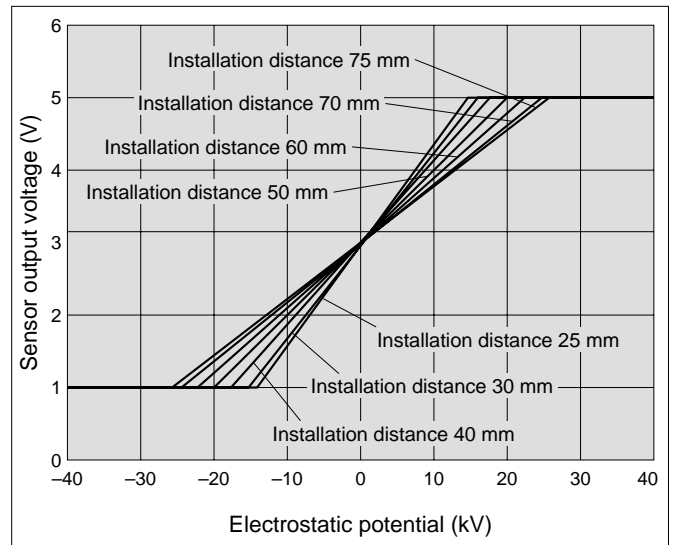
When measuring the potential of a charged object with an electrostatic sensor, the relationship between the electrostatic potential being measured and the output voltage varies depending on the sensor's installation distance. The relationship in the installation distance between the electrostatic sensor's output voltage and the detected electrostatic potential is as shown in the figure below: (The installation distance in the figure refers to the distance between the object being measured and the electrostatic sensor.)

### Relationship in installation distance between electrostatic potential and sensor output voltage

**IZD10-110**

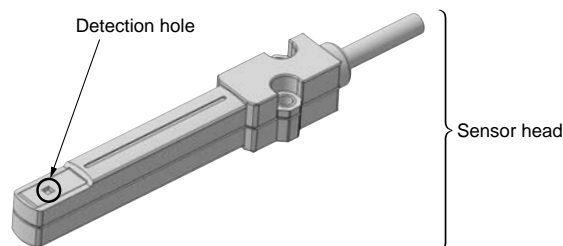
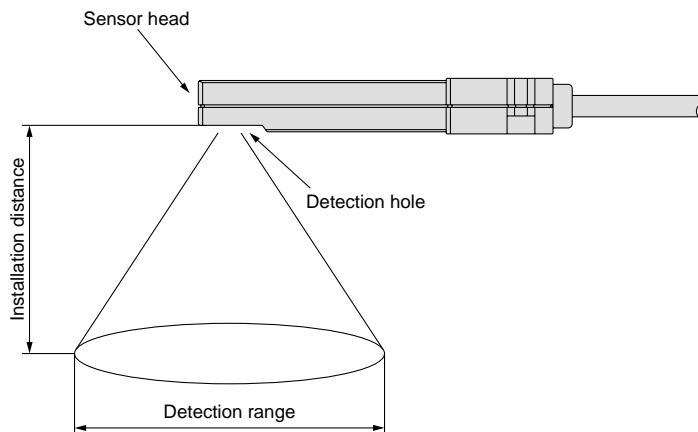


**IZD10-510**



### Detection Range

The relationship between the electrostatic sensor's installation distance and the detection range is as follows:



**IZD10-110**

(Potential measurement:  $\pm 0.4$  kV)

Installation distance (mm)	Detection range (mm)
10	45
20	85
25	100
30	120
40	150
50	180

**IZD10-510**

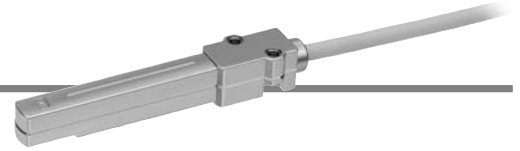
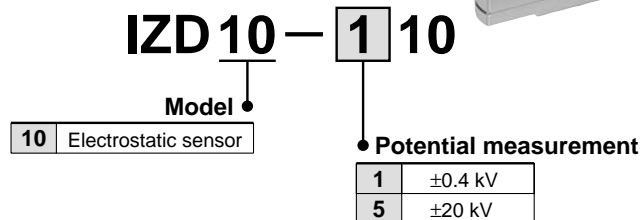
(Potential measurement:  $\pm 20$  kV)

Installation distance (mm)	Detection range (mm)
25	100
30	120
40	150
50	180
60	205
70	225
75	235

# Electrostatic Sensor Series *IZD10*



## How to Order



## Specifications

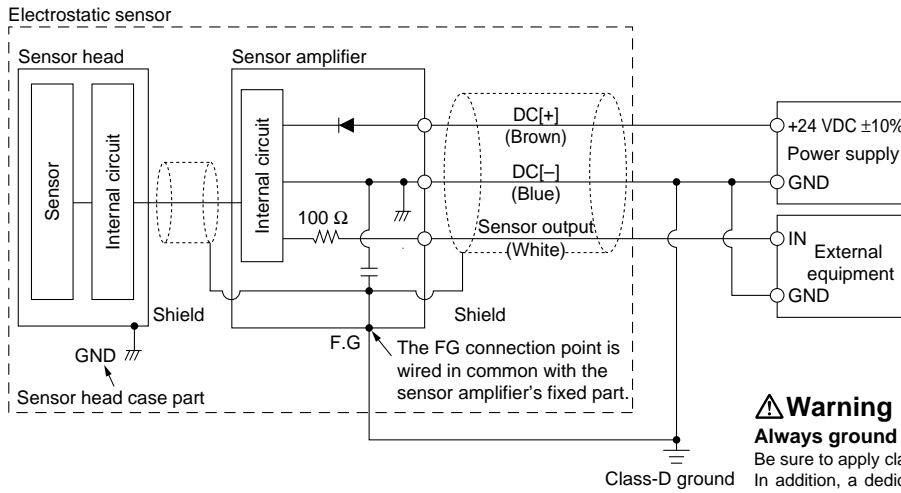
Model	IZD10-110	IZD10-510
Potential measurement	±0.4 kV (at detection distance: 25 mm) <sup>Note)</sup>	±20 kV (at detection distance: 50 mm) <sup>Note)</sup>
Output voltage	1 to 5 V (Output impedance: Approx. 100 Ω)	
Effective detection distance	10 to 50 mm	25 to 75 mm
Linearity	±5% F.S. (0 to 50°C, at detection distance: 25 mm)	±5% F.S. (0 to 50°C, at detection distance: 50 mm)
Output delay time	100 ms or less	
Power supply voltage	24 VDC ±10%	
Current consumption	40 mA or less	
Operating ambient temperature	0 to 50°C	
Operating ambient humidity	35 to 85% Rh (with no condensation)	
Material	Head case : ABS    Amplifier case : ABS	
Vibration resistance	Durability 50 Hz    Amplitude 1 mm    X, Y, Z each 2 hours	
Shock resistance	100 m/s <sup>2</sup>	
Weight	185 g (including cable weight)	
Compliance with EN standards	Protective class : Class III (EN60950-1) Pollution Degree 3 CE marking : Low voltage directive : 73/23/EEC, 93/68/EEC Only when connected to a SELV-type external circuit.	
EMC directive	89/336/EEC, 92/31/EEC, 93/68/EEC, 2004/108/EC	
UL standard	UL508	

Note) The relationship between the measured potential and the output voltage varies depending on the detection distance.  
For details on the relationship in the detection distance between the measured potential and the output voltage, refer to the graph in "Technical Data - Output Signal" on page 1.

## Connection Circuit and Wiring Table

Connect the lead wires according to the following connection circuit and wiring table.

### 1. Connection circuit



### Warning

#### Always ground the electrostatic sensor.

Be sure to apply class-D grounding to the GND terminal. In addition, a dedicated power supply is recommended for use as the sensor-driving power supply. Connecting any equipment other than the sensor to this power supply may trigger the malfunctioning or breakdown of the equipment when static electricity is discharged to the sensor head or when noise enters the GND terminal.

Note) When using the cable on the external equipment connection side after cutting it short, do not connect a shielding wire (since the shielded line is wired in common with the amplifier case, provide a frame ground on the amplifier case side).

\* Text in ( ) refers to each lead wire coating color of the dedicated cable.

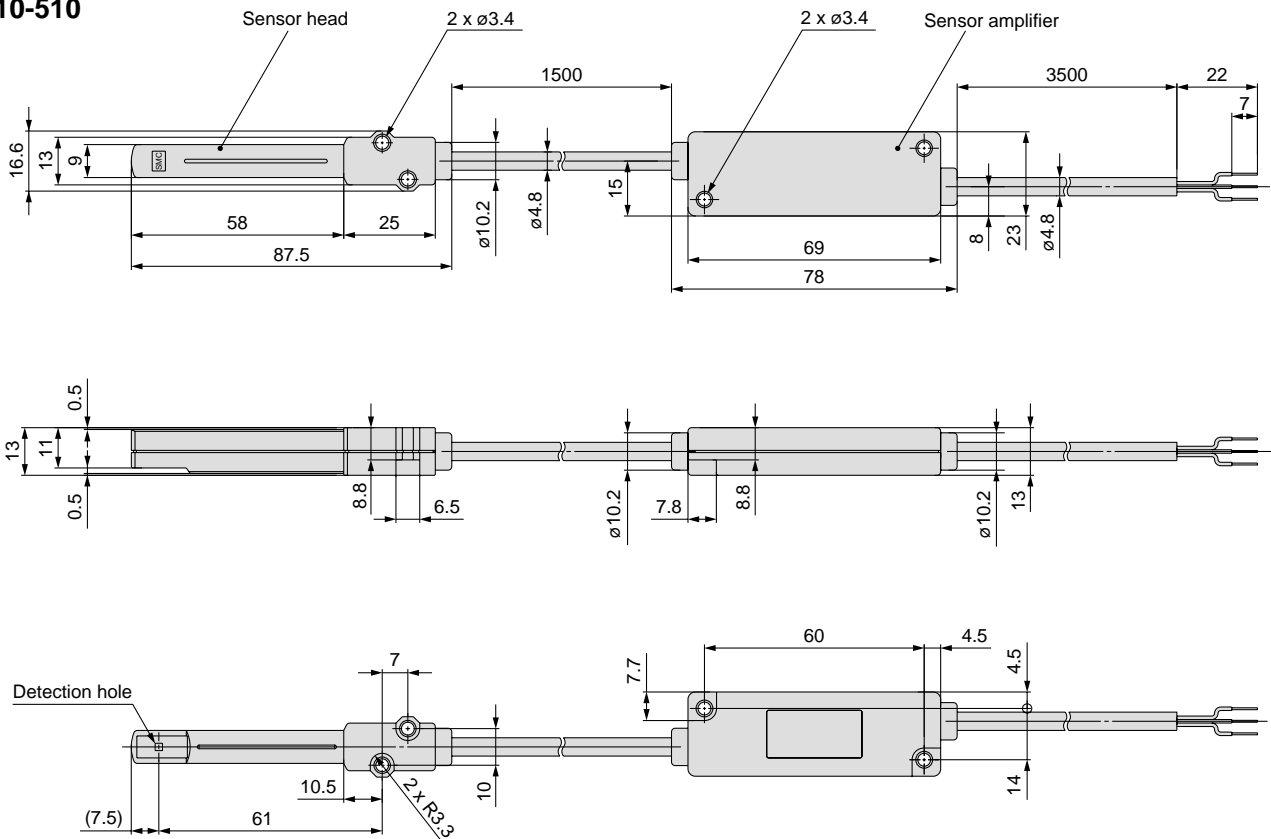
### 2. Wiring table

Lead wire color	Description	Function
Brown	DC[+]	Power supply 24 VDC
Blue	DC[-]	Power supply 0 V
White	Sensor output	Analog output 1 to 5 V

## Dimensions

### IZD10-110

### IZD10-510



# Electrostatic Sensor Monitor

## Series IZE11



### How to Order

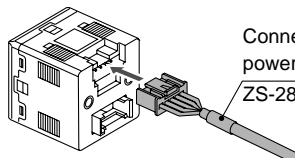


IZE11 0 [ ] [ ] [ ]

#### Input/Output specifications

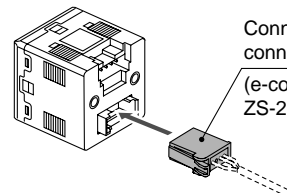
0	NPN open collector 2 outputs + Analog output 1-5 V
1	NPN open collector 2 outputs + Analog output 4-20 mA
2	PNP open collector 2 outputs + Analog output 1-5 V
3	PNP open collector 2 outputs + Analog output 4-20 mA

#### Option 1

Nil	None
L	<p>Connector cable for power supply / output</p>  <p>Connector cable for power supply / output ZS-28-A</p>

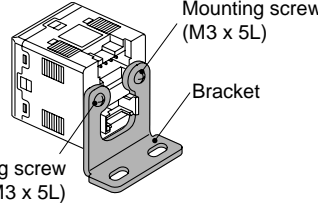
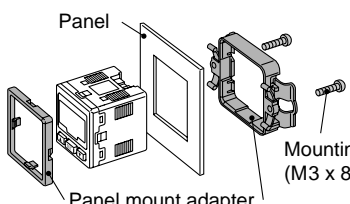
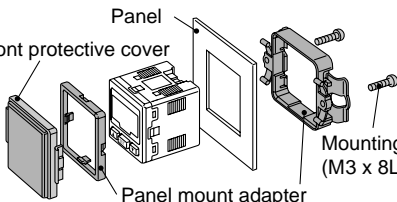
Note) The cable is not connected but packed together with product for shipment.

#### Option 3

Nil	None
C	<p>With connector for sensor connection</p>  <p>Connector for sensor connection (e-con connector) ZS-28-C</p>

Note) The connector is not connected but packed together with product for shipment.

#### Option 2

Nil	None
A	<p>Bracket</p>  <p>Mounting screw (M3 x 5L)</p> <p>Bracket</p> <p>Mounting screw (M3 x 5L)</p>
B	<p>Panel mount adapter</p>  <p>Panel</p> <p>Panel mount adapter</p> <p>Mounting screw (M3 x 8L)</p>
D	<p>Panel mount adapter + Front protective cover</p>  <p>Panel</p> <p>Front protective cover</p> <p>Panel mount adapter</p> <p>Mounting screw (M3 x 8L)</p>

Note) The options are not attached but packed together with product for shipment.

### Options / Part No.

Description	Part no.	Note
Connector cable for power supply / output (2 m)	ZS-28-A	
Bracket	ZS-28-B	With M3 x 5L (2 pcs.)
Connector for sensor connection	ZS-28-C	1 pc.
Panel mount adapter	ZS-27-C	With M3 x 8L (2 pcs.)
Panel mount adapter + Front protective cover	ZS-27-D	With M3 x 8L (2 pcs.)

## Specifications

Model	IZE11□	
<b>Connection sensor</b>	IZD10-110	IZD10-510
<b>Rated measurement range</b>	-0.4 kV to +0.4 kV <small>Note 1)</small>	-20 kV to +20 kV <small>Note 2)</small>
<b>Min. unit setting</b>	0.001 kV	0.1 kV
<b>Measurement distance setting</b>	10 to 50 mm	25 to 75 mm
<b>Power supply voltage</b>	24 VDC, Ripple (p-p) 10% or less (with power supply polarity protection)	
<b>Current consumption</b>	50 mA or less (excluding sensor unit's current consumption)	
<b>Sensor input</b>	1 to 5 VDC (Input impedance: 1 MΩ)	
<b>Number of inputs</b>	1 input	
<b>Input protection</b>	With excess voltage protection (up to 26.4 V)	
<b>Hysteresis</b>	Hysteresis mode: Variable Window comparator mode: Variable	
<b>Switch output</b>	NPN or PNP open collector: 2 outputs	
<b>Max. load current</b>	80 mA	
<b>Max. applied voltage</b>	30 VDC (with NPN output)	
<b>Residual voltage</b>	1 V or less (with load current of 80 mA)	
<b>Short circuit protection</b>	With short circuit protection	
<b>Response time (including sensor response time)</b>	100 ms or less Response time with anti-chattering function: 500 ms, 1 s, 2 s or less	
<b>Analog output</b>	<b>Voltage output</b>	Output voltage: 1 to 5 V (with rated pressure range), Output impedance: Approx. 1 kΩ
	<b>Accuracy (for readings) (25°C)</b>	±1% F.S. or less
	<b>Current output</b>	Output current: 4 to 20 mA (with rated pressure range) Max. load impedance: 600 Ω (at 24 VDC), Min. load impedance: 50 Ω
	<b>Accuracy (for readings) (25°C)</b>	±1% F.S. or less
<b>Response time (including sensor response time)</b>	200 ms (without filter), 1.5 s (with filter) or less	
<b>Display accuracy</b>	±0.5% F.S. ±1 digit or less	
<b>Display</b>	3 + 1/2 digit, 7-segment indicator, 2-color display (Red/Green) Sampling cycle: 5 times/s	
<b>Indicator light</b>	OUT1: Illuminates when output is turned ON (Green), OUT2: Illuminates when output is turned ON (Red).	
<b>Environmental resistance</b>	<b>Enclosure</b>	IP40
	<b>Operating temperature range</b>	Operating: 0 to 50°C, Stored: -10 to 60°C (with no freezing or condensation)
	<b>Operating humidity range</b>	Operating/Stored: 35 to 85% RH (with no condensation)
	<b>Withstand voltage</b>	1000 VAC for 1 min, between live parts and housing
	<b>Insulation resistance</b>	50 MΩ or more (with 500 VDC Mega), between live parts and housing
	<b>Vibration resistance</b>	10 to 150 Hz at whichever is smaller of 1.5 mm amplitude or 98 m/s <sup>2</sup> acceleration, in X, Y, Z direction for 2 hrs. each (de-energized)
	<b>Impact resistance</b>	100 m/s <sup>2</sup> in X, Y, Z directions 3 times each (de-energized)
<b>Temperature characteristics</b>	±0.5% F.S. or less (based on 25°C)	
<b>Connection method</b>	Power supply, Output connection: 5-pin connector, Sensor connection: 4-pin connector	
<b>Material</b>	Front case: PBT, Rear case: PBT	
<b>Weight (excluding power supply/output connection cable)</b>	30 g	
<b>Standards</b>	CE marking, UL (CSA) compliant	

Note 1) Rated value when the distance between the charged object and the sensor is 25 mm

Note 2) Rated value when the distance between the charged object and the sensor is 50 mm

# Series IZE11

## Example of Internal Circuit and Wiring

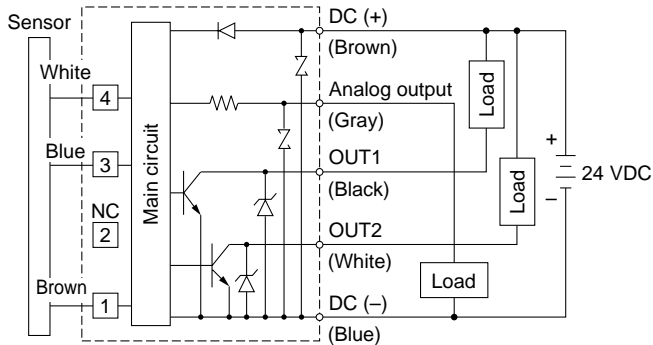
### Output specifications

The wire colors (brown, black, white, gray and blue) shown in the circuit diagram apply when SMC's power supply and output connection cable (Part no.: ZS-28-A) are used.

#### IZE110

NPN open collector output: 2 outputs  
 Max. 30 V, 80 mA  
 Residual voltage 1 V or less

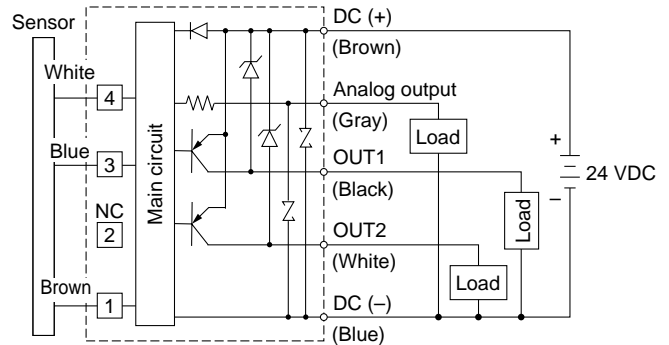
Analog output: 1 to 5 V  
 Output impedance: Approx. 1 k $\Omega$



#### IZE112

PNP open collector output: 2 outputs  
 Max. 80 mA  
 Residual voltage 1 V or less

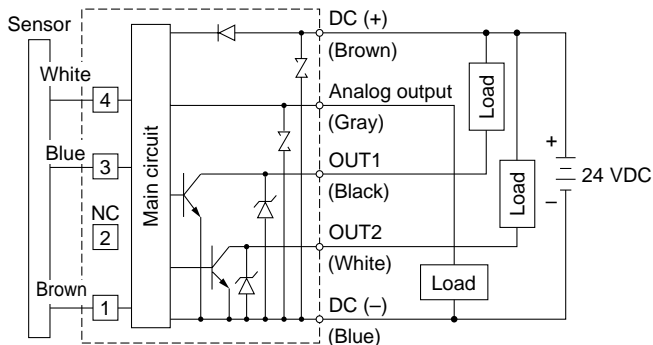
Analog output: 1 to 5 V  
 Output impedance: Approx. 1 k $\Omega$



#### IZE111

NPN open collector output: 2 outputs  
 Max. 30 V, 80 mA  
 Residual voltage 1 V or less

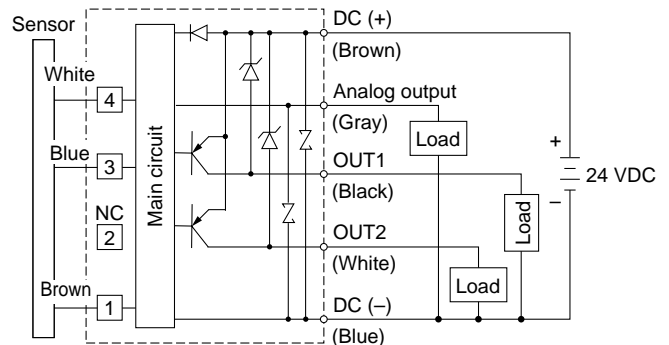
Analog output: 4 to 20 mA  
 Max. load impedance: 600  $\Omega$  (24 VDC)  
 Min. load impedance: 50  $\Omega$



#### IZE113

PNP open collector output: 2 outputs  
 Max. 80 mA  
 Residual voltage 1 V or less

Analog output: 4 to 20 mA  
 Max. load impedance: 600  $\Omega$  (24 VDC)  
 Min. load impedance: 50  $\Omega$



## Description

### LCD display

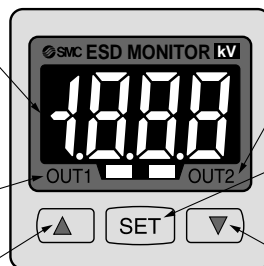
Shows the current electrostatic potential, set mode, and error code. Four display methods are available for selection, including an option for always displaying in a single color, red or green, and an option for switching from green to red in conjunction with the output.

### Output (OUT1) display (Green)

Turns on when the OUT1 output is on.

### ▲ button

Use this button to change the mode or increase the ON/OFF set value. It also allows you to switch to the peak value display mode.



### Output (OUT2) display (Red)

Turns on when the OUT2 output is on.

### SET button

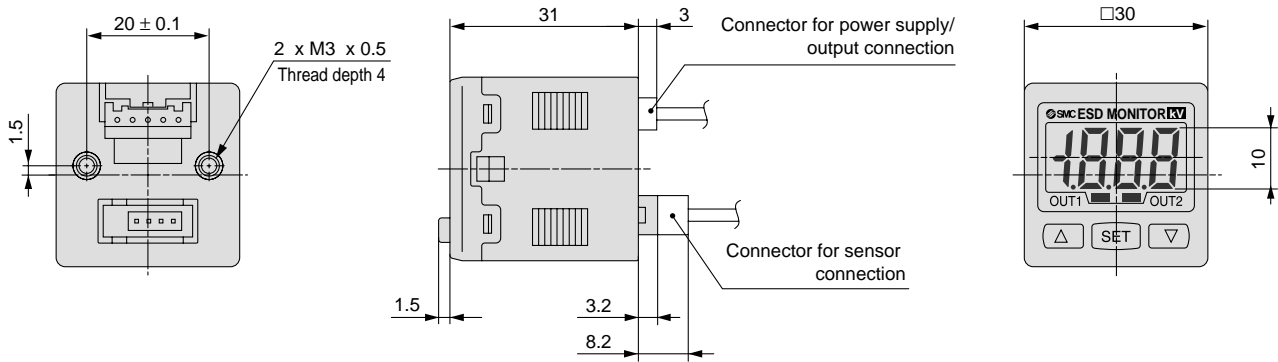
Use this button to switch the mode and set the set value.

### ▼ button

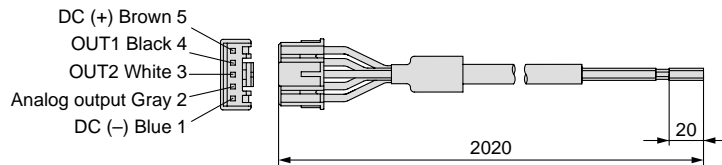
Use this button to change the mode or decrease the ON/OFF set value. It also allows you to switch to the bottom value display mode.



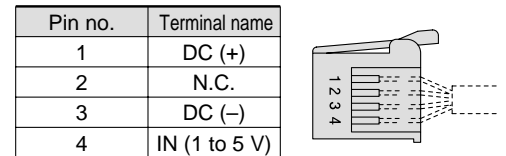
## Dimensions



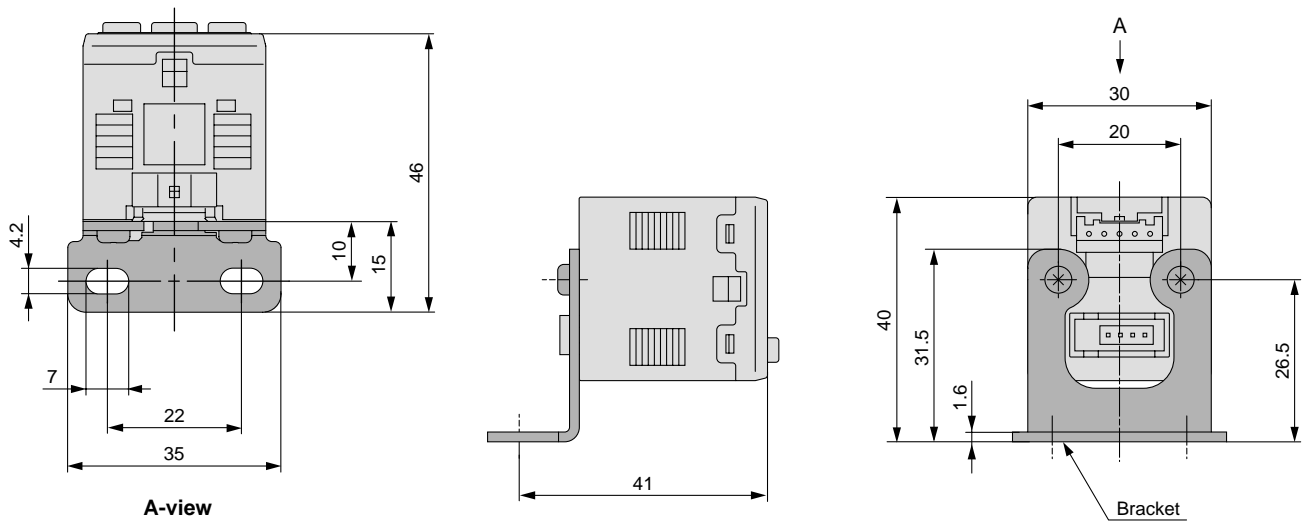
### Connection cable for power supply / output (ZS-28-A)



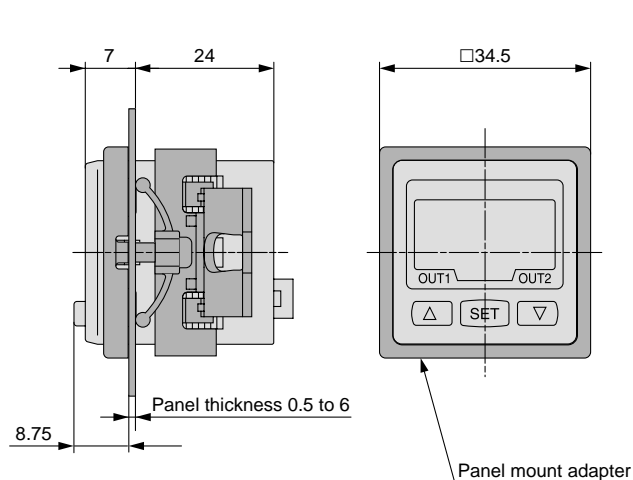
### Connector for sensor connection



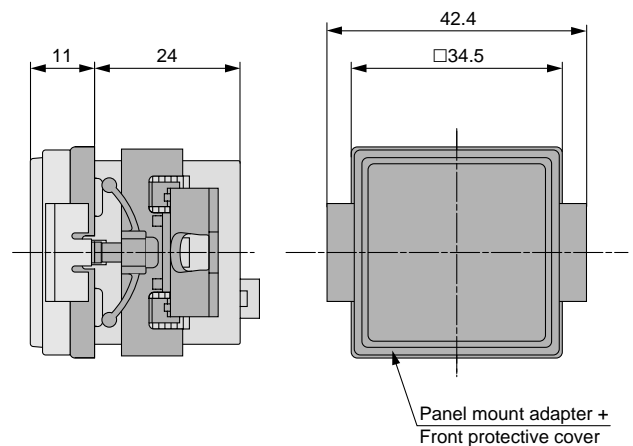
### With bracket



### With panel mount adapter



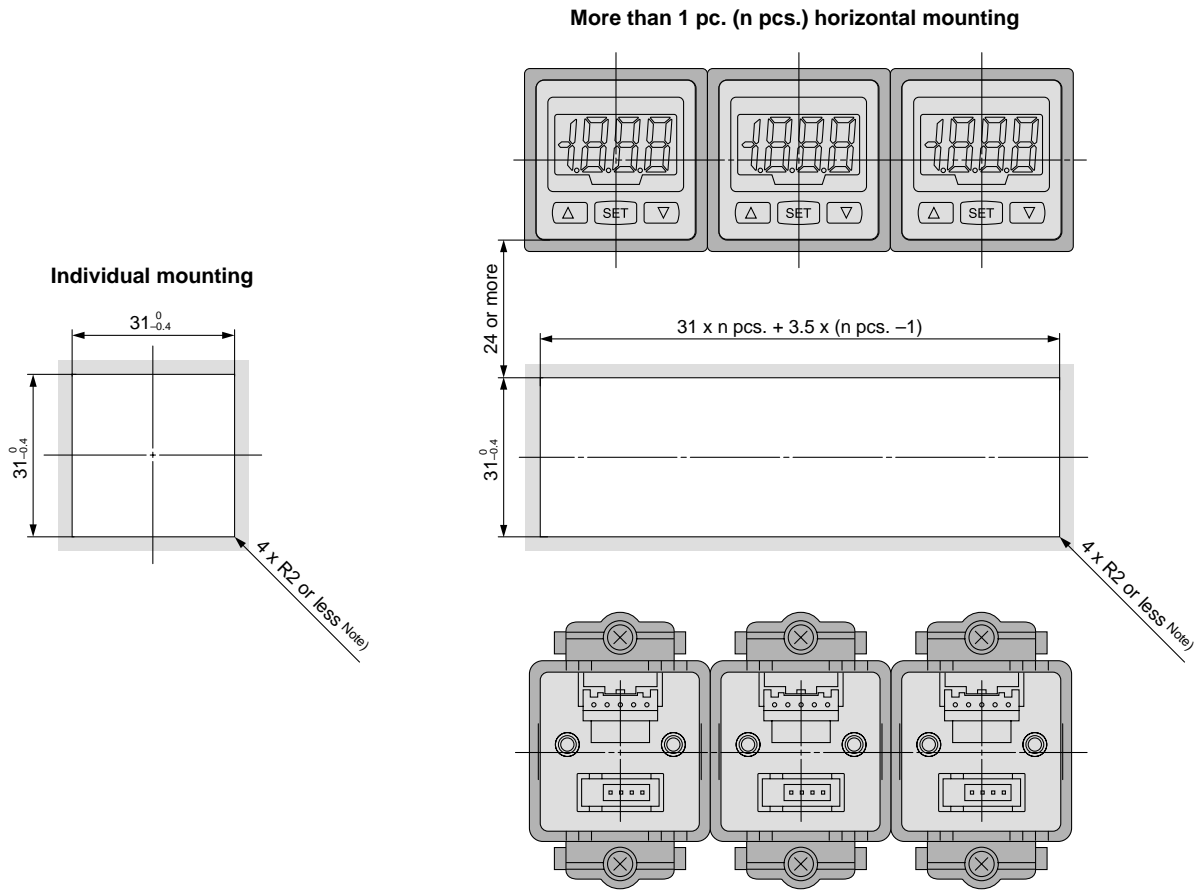
### With panel mount adapter + Front protective cover



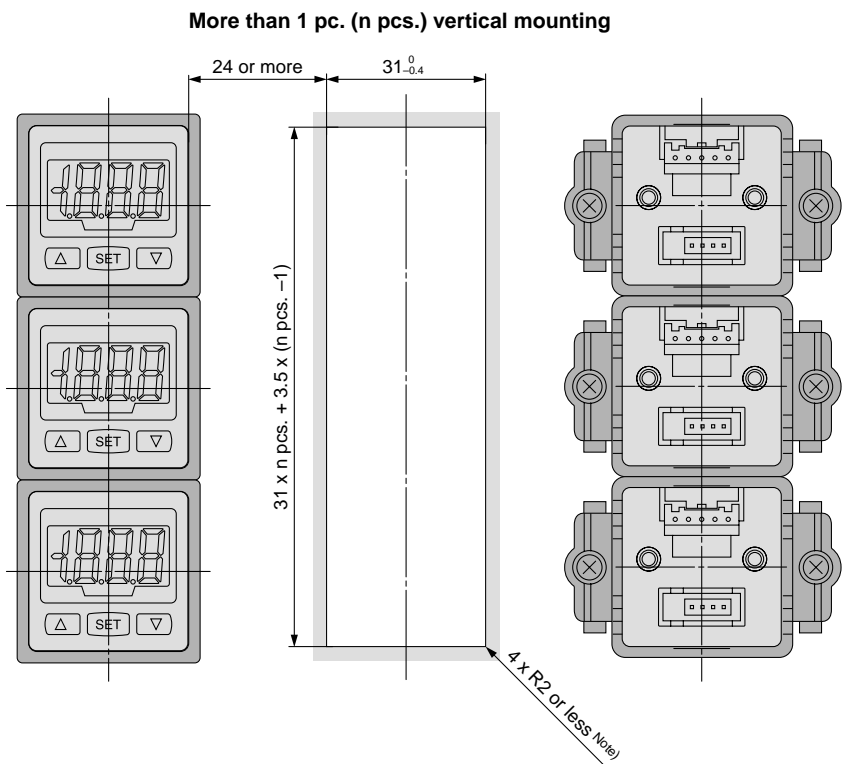
# Series IZE11

## Dimensions

Panel fitting dimensions \* Panel thickness: 0.5 to 6 mm



Note) When providing a curvature radius (R), keep it to R2 or smaller.



## Function Details

### A Detection range correction function

By previously inputting a distance from the sensor to the object being measured, it is possible to reduce errors due to variations in the measurement distance.

### B Peak/Bottom hold function

This function constantly detects and updates the maximum and minimum pressure values and allows to hold the display value.

### C Key lock function

This function prevents incorrect operations such as changing the set value accidentally.

### D Zero-adjust function

The reading of the measured voltage can be adjusted to zero. The reading can be corrected within  $\pm 10\%$  of F.S. from the factory-set condition.

### E Error display function

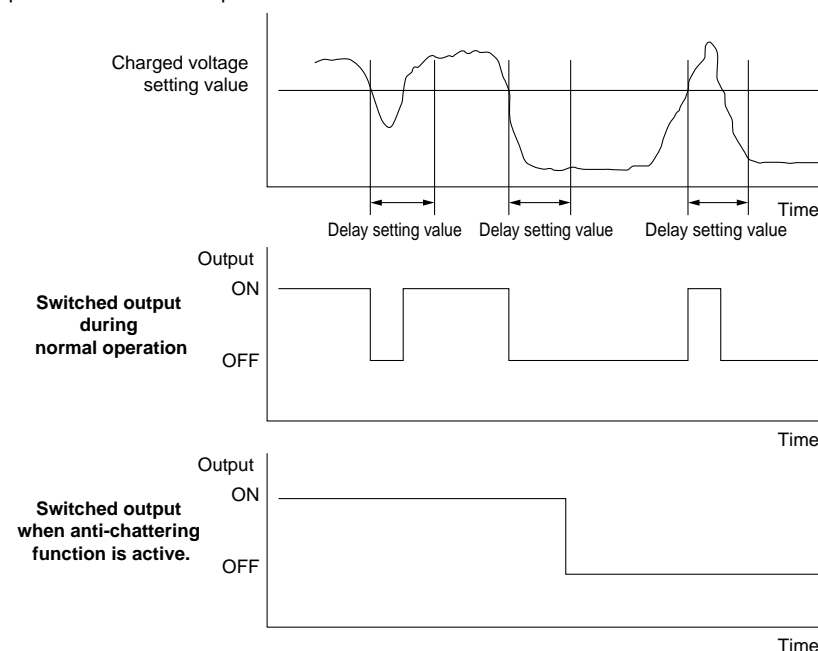
Error description		Error display	Condition
Over-current error	OUT1	Er1	Load current of switch output is more than 80 mA.
	OUT2	Er2	
System error		Er3	Internal data error
Zero-adjust error		Er4	During zero adjustment, an amount of static electricity beyond $\pm 10\%$ of F.S. has been given to the sensor. * After displaying the error code for approximately one second, the sensor automatically returns to measurement mode. The zero point may slightly fluctuate depending on the individual product difference and the sensor's mounting condition during zero adjustment.
Over-flow Under-flow		HHH	The displayable range has been exceeded because an amount of static electricity beyond the upper limit of the voltage measurement range has been given to the sensor or the measurement distance setting and/or the sensor mounting position is inappropriate, or for other reasons.
		LLL	The sensor may not have been wired yet or may have mistakenly wired. Alternatively, the displayable range has been exceeded because an amount of static electricity beyond the upper limit of the voltage measurement range has been given to the sensor or the measurement distance setting and/or the sensor mounting position is inappropriate, or for other reasons.

### F Anti-chattering function

The charged voltage may vary temporarily. This function prevents such a momentary change from being detected as an abnormal voltage by changing the response time setting.

Response time: 100 ms, 500 ms, 1 s, 2 s or less  
(Principal)

When a measured value is retained for an optionally set time length (delay time), the sensor compares the measured value with the setpoint to provide a switched output.



### G Connection sensor selection function




The type (range) of electrostatic sensor to be connected can be selected. The monitor is factory-set to the  $\pm 0.4$  kV option.



Series **IZD10/IZE11**

# Safety Instructions

These safety instructions are intended to prevent a hazardous situation and/or equipment damage. These instructions indicate the level of potential hazard by a label of “**Caution**”, “**Warning**” or “**Danger**”. To ensure safety, be sure to observe ISO 4414 <sup>Note 1)</sup> and other safety practices.

-  **Caution** : Operator error could result in injury or equipment damage.
-  **Warning** : Operator error could result in serious injury or loss of life.
-  **Danger** : In extreme conditions, there is a possible result of serious injury or loss of life.

Note 1) ISO 4414 : Pneumatic fluid power --General rules relating to systems

## **Warning**

### **1. The compatibility of pneumatic equipment is the responsibility of the person who designs the pneumatic system or decides its specifications.**

Since the products specified here are used in various operating conditions, their compatibility for the specific pneumatic system must be based on specifications, or post analysis and/or tests to meet the specific requirements. The expected performance and safety assurance will be the responsibility of the person who has determined the compatibility of the system. This person should continuously review the suitability of all items specified, referring to the latest catalog information with a view to giving due consideration to any possibility of equipment failure when configuring a system.

### **2. Only trained personnel should operate pneumatically operated machinery and equipment.**

Since the product generates a high voltage, handling it incorrectly can be dangerous. Assembly, handling, and repair of pneumatics systems should be performed only by trained and experienced operators.

### **3. Do not service the machinery/equipment or attempt to remove components until safety is confirmed.**

1. Inspection and maintenance of the machinery/equipment should only be performed after confirming that safety precautions such as grounding, electric shock prevention, and various other types of damage prevention have been taken.
2. When equipment is to be removed, confirm the safety process as mentioned above. Turn off the supply pressure for this equipment and exhaust all residual compressed air in the system.
3. Before the machinery/equipment is restarted, take measures to prevent short circuiting and other such electrical failures.

### **4. Avoid using the product in the following conditions or environment. However, if the product must be used in these conditions, please contact SMC first and be sure to take all necessary safety precautions.**

1. Conditions and environments beyond the given specifications, or if product is used outdoors.
2. Installation on equipment in conjunction with atomic energy, railway, air navigation, vehicles, medical equipment, food and beverages, recreation equipment, emergency stop circuits, clutch and brake circuits in press applications, or safety equipment.
3. An application which has the possibility of having negative effects on people, property, requiring special safety analysis.

## ■ Exemption from liability

1. SMC is exempted from liability for any damages caused by earthquakes, fire for which SMC is not responsible for, actions by a third person, accidents, customer error with or without intention, product misuse, and any other damages caused by abnormal operating conditions.
2. SMC is exempted from liability for any accompanied damages, such as profit loss and discontinuation of business operation, caused by the operation or incompetency to operate our products.
3. SMC is exempted from liability for any damages caused by operations, which the catalogs and instruction manuals have not introduced, and operations outside of the specification range.
4. SMC is exempted from liability for any damages caused by malfunctions of our products when combined with other devices or software in which SMC is not involved in.



# Series IZD10 Electrostatic Sensors Precautions 1

Be sure to read this before handling. Refer to back page 1 for Safety Precautions and refer to back page 4, 5 for Specific Product Precautions.

## Selection

### Warning

1. This product is intended to be used with general factory automation (FA) equipment.

If considering using the product for other applications (especially those stipulated in 4 on back page 1), consult with SMC beforehand.

2. Use this product within the specified voltage and temperature range.

Using outside of the specified voltage can cause a malfunction, damage, electrical shock, or fire.

3. This product is not explosion-protected.

Never use this product in environment, where dust explosion may occur or flammable or explosive gases are used. This can cause fire.

### Caution

1. This product is not washed. When bringing into a clean room, flush for several minutes and confirm the required cleanliness before using.
2. Do not apply high-pressure flushing to the detection hole. Otherwise, the detection mechanism may become deformed and unable to correctly detect the charged voltage. In addition, this may result in a sensor failure.

## Mounting

### Warning

1. Reserve an enough space for maintenance, piping and wiring

Please take into consideration that the one-touch fittings for supplying air, need enough space for the air tubing to be easily attached/detached.

To avoid excessive stress on the connector and one-touch fitting, please take into consideration the air tubings minimum bending radius and avoid bending at acute angles.

Wiring with excessive twisting, bending, etc. can cause a malfunction, wire breakage, fire or air leakage.

Minimum bending radius: Sensor cable ..... 25 mm  
(Note: Shown above is wiring with the fixed minimum allowable bending radius and at a temperature of 20°C. If used under this temperature, the connector can receive excessive stress even though the minimum bending radius is allowable.)  
Regarding the minimum bending radius of the air tubing, refer to the instruction manual or catalog for tubing.

2. Mounting on a plane surface.

If there are irregularities, cracks or height differences, excessive stress will be applied to the frame or case, resulting in damage or other trouble. Also, do not drop or apply a strong shock. Otherwise, damage or an accident can occur.

3. Do not drop or bump the sensor.

When handling the sensor, do not drop the sensor or apply strong impact to it, as this may cause the sensor to malfunction or break down.

4. Do not use this product in an area where noise (electric magnetic field or surge voltage, etc.) are generated.

Using the ionizer under such conditions may cause it to malfunction or internal devices to deteriorate or break down. Take noise countermeasures and prevent the lines from mixing or coming into contact with each other.

## Mounting

### Warning

5. Observe the tightening torque requirements when installing the ionizer. (Refer to the instruction manual included with the product.)

If overtightened with a high torque, the mounting screws or mounting brackets may break. Also, if under tightened with a low torque, the connection may loosen.

6. Do not directly touch the detection surface of the sensor head with a metal piece or metal hand tool.

Touching the surface in this manner may not only cause the sensor to not only fail to provide the specified functionality and/or performance but also result in a sensor failure or an accident.

7. Do not affix any tape or seals to the main unit.

If the tape or seal contains any conductive adhesive or reflective paint, a dielectric phenomenon may occur due to ions arising from such substances, resulting in electrostatic charging or electric leakage.

8. Installation and adjustment should be conducted after turning off the power supply.

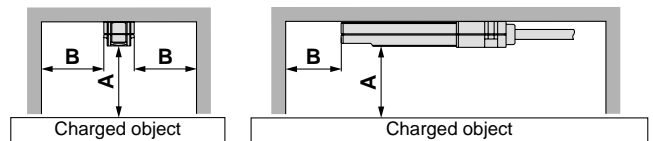
9. Keep the installation distance long enough to prevent static electricity from being discharged through the sensor head (refer to "Specifications" on page 2).

Static electricity may be discharged through the sensor head depending on the electrostatic potential of the object. Be extremely careful about this since electrostatic discharge through the sensor head may cause the sensor to break down.

### Caution

1. Install the electrostatic sensor away from walls, etc., as shown below:

The ionizer may fail to measure electrostatic potentials correctly if a wall or other obstacles exist within the clearances shown in the following figure.



(mm)	
A	B
10	20
20	40
25	45
30	55
40	65
50	75
60	90
70	100
75	105

2. After installation, always make sure that the electrostatic potential is measured correctly.

Errors may occur in the detected electrostatic potential depending on the ambient installation conditions, etc. After installation, check the sensor's condition with regard to electrostatic potential detection.



# Series IZD10

## Electrostatic Sensors

### Precautions 2

Be sure to read this before handling. Refer to back page 1 for Safety Precautions and refer to back page 4, 5 for Specific Product Precautions.

#### Wiring / Piping

### ⚠ Warning

1. Before wiring confirm if the power supply voltage is enough and that it is within the specifications before wiring.
2. To maintain product performance, apply class-D grounding to the FG terminal according to the instructions given in this product brochure.  
When using a commercially available switching regulator, ground the GND and FG terminals.
3. When applying the power supply, pay special attention to the wiring and/or surrounding environment until the safety is confirmed.
4. Do not remove or attach wires from/to any parts, including the power supply, while the sensor is turned on, as this may cause the surface electrostatic sensor to malfunction. Be sure to the sensor is turned off prior to performing any wiring (including plugging/unplugging connectors).
5. If the power line and high pressure line are routed together, this product may malfunction due to noise. Therefore, use a separate wiring route for this product.
6. Be sure to confirm there are no wiring errors before starting this product.  
Faulty wiring will lead to product damage or malfunction.  
Applying 24 VDC to the sensor output will directly lead to internal circuitry breakdown.

#### Operating Environment / Storage Environment

### ⚠ Warning

1. Operate at an ambient temperature that is within the specifications.  
Ambient temperature ranges from 0 to 50°C. Do not use the sensor in locations where the temperature may change suddenly even if the ambient temperature range is within the specified limits, resulting in condensation.
2. Environments to avoid  
Avoid using and storing this product in the following environments since they may cause damage to this product.
  - a) Avoid using in a place that exceeds an ambient temperature range of 0 to 50°C.
  - b) Avoid using in a place that exceeds an ambient humidity range of 35 to 85% Rh.
  - c) Avoid using in a place where condensation occurs due to a drastic temperature change.
  - d) Avoid using in a place in the presence of corrosive or explosive gas or where there is a volatile combustible.
  - e) Avoid using in an atmosphere where there are particles, conductive iron powders, oil mist, salt, solvent, blown dust, cutting oil (water, liquid), etc.
  - f) Avoid using in direct sunlight or radiated heat.
  - g) Avoid using in a place where there is a strong magnetic noise (strong electric field, strong magnetic field, or surge).
  - h) Avoid using in a place where static electricity other than that generated the ionizer is discharged to the main body.
  - i) Avoid using in a place where a strong high frequency occurs.
  - j) Avoid using in a place where this product is likely to be damaged by lightning.
  - k) Avoid using in a place where direct vibration or shock is applied to the main body.
  - l) Avoid using in a place where there is a force large enough to deform this product or weight is applied to the product.

#### Operating Environment / Storage Environment

### ⚠ Warning

3. The electrostatic sensor is not resistant to lightning surges.  
Take measures for protection against lightning surges on the system side.

#### Maintenance

### ⚠ Caution

1. Periodically inspect the electrostatic sensor to check if it is operated while being out of order.  
Only a person having an adequate knowledge and experience about the system is allowed to inspect the sensor.
2. Do not disassemble or rebuild this product.  
Otherwise, an electrical shock, damage and/or a fire may occur. Also, the disassembled or rebuilt products may not achieve the performances guaranteed in the specifications, and exercise caution because the product will not be warranted.

#### Handling

### ⚠ Warning

1. Do not drop, bump or apply excessive impact (100 m/s<sup>2</sup> or more) while handling.  
Even though it does not appear to be damaged, the internal parts may be damaged and cause a malfunction.
2. When mounting/dismounting the cable, use your finger to pinch the claw of the modular plug, then attach/detach it correctly.  
If the modular plug is at a difficult angle to attach/detach, the modular jack's mounting section may be damaged and cause a disorder.
3. Before use, allow the sensor to warm up for 10 minutes or more after power-on.  
The sensor may provide unsteady readings immediately after power-on.
4. Use a UL-approved DC power supply compatible with the UL1310 Class 2 Power Unit or with power units comprising a UL1585 Class 2-compliant transformer, in combination with the sensor.



# Series IZD10 Specific Product Precautions 1

Be sure to read this before handling. Refer to back page 1 for Safety Precautions and refer to back page 2, 3 for Specific Product Precautions.

## Mounting of Electrostatic Sensor

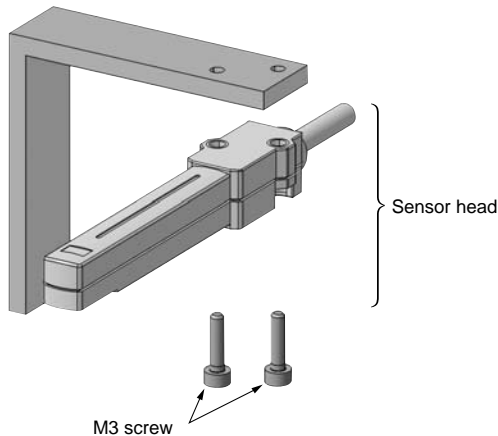
### Mounting of Sensor Head

1. When using the electrostatic sensor, install it in a location where the detection hole of the sensor head can detect the object being measured. (Refer to “Technical Data – Detection Range” on page 1.)
2. Install the sensor so that the distance between the detection hole and the object’s surface is within 10 to 50 mm when the IZD10-110 is used and within 25 to 75 mm when the IZD10-510 is used. Be careful not to allow the sensor head to come into contact with the object. Static electricity may be discharged through the sensor head depending on the electrostatic potential of the object. Keep the installation distance long enough to prevent static electricity from being discharged through the sensor head. Be very careful about this since electrostatic discharge through the sensor head may cause the sensor to break down.

The detection range and the sensor output vary depending on the installation distance. For more information, refer to “Technical Data - Output Signal and - Detection Range” on page 1.

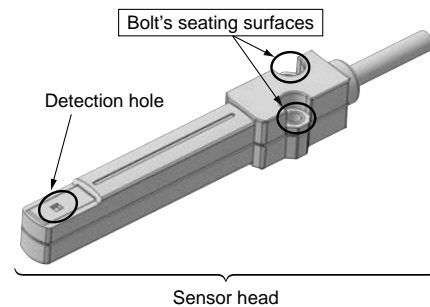
3. Use two M3-size screws (should be prepared separately) to mount the sensor head.

Recommended tightening torque for M3 screws: 0.61 to 0.63 N·m



4. Align bolts with their seating surfaces to mount the sensor head. Mounting it by inserting the bolts from the opposite side may damage the sensor head.

The sensor head enclosure is in common with the GND terminal for reasons of the sensor structure. When installing or turning on the sensor, be very careful to avoid the enclosure from being short-circuited to the +24 V power supply. The detection hole is opened in order to detect static electricity. If any foreign matters enter the hole or the inner part of the hole is touched with a hand tool, etc., the sensor may malfunction or break down, resulting in a failure to correctly detect static electricity. Be careful not to allow any foreign matters to enter the inner part or touch it with a hand tool, etc. Do not pull the cable extending from the sensor head or twist it at the head’s neck. Forcibly pulling or twisting the cable in this manner may cause the sensor head and/or the cable to break down.



### Mounting of Sensor Amplifier

1. Use two M3-size screws (should be prepared separately) to mount the sensor amplifier.

Recommended tightening torque for M3 screws: 0.61 to 0.63 N·m

2. Align bolts with their seating surfaces to mount the sensor amplifier.

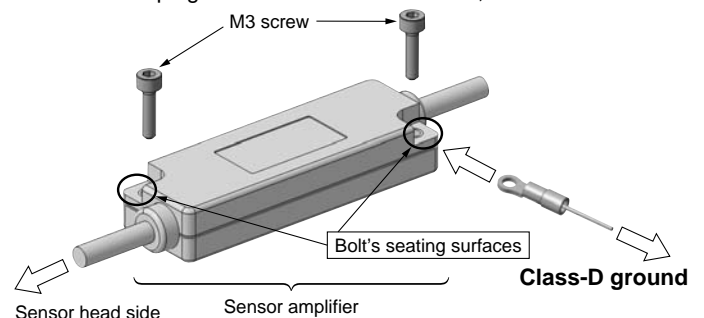
Mounting it by inserting the bolts from the opposite side may damage the sensor amplifier.

3. Do not pull the cable extending from the sensor amplifier or twist it at the amplifier’s neck.

Forcibly pulling or twisting the cable in this manner may cause the sensor amplifier and/or the cable to break down.

4. Be sure to apply class-D grounding to the sensor amplifier casing since it is in common with the FG terminal.

Recommended crimping terminal: TMEV1.25-3 insulation-coated crimping terminal from NICHIFU Co., Ltd.



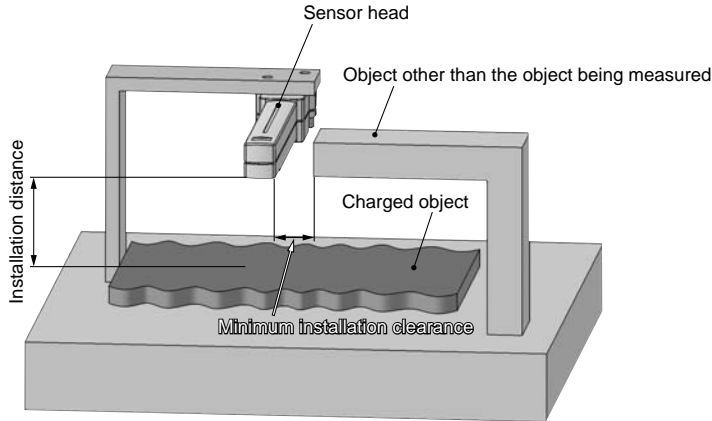


# Series IZD10 Specific Product Precautions 2

Be sure to read this before handling. Refer to back page 1 for Safety Precautions and refer to back page 2, 3 for Specific Product Precautions.

## Mounting Precautions

- 1. Avoid placing any objects other than the object being measured or the sensor head cable close to the detection hole.**  
If any objects other than the object being measured are placed in the vicinity of the electrostatic sensor during sensor installation, the sensor will be affected by the objects thus placed and the sensor output will differ from the actual value.
- 2. To fix the sensor, use a bracket not coated with an insulating layer such as paint or a surface treatment material.**  
If any objects need to be placed near the electrostatic sensor, place them at a distance greater than the minimum installation clearances shown in the following table.

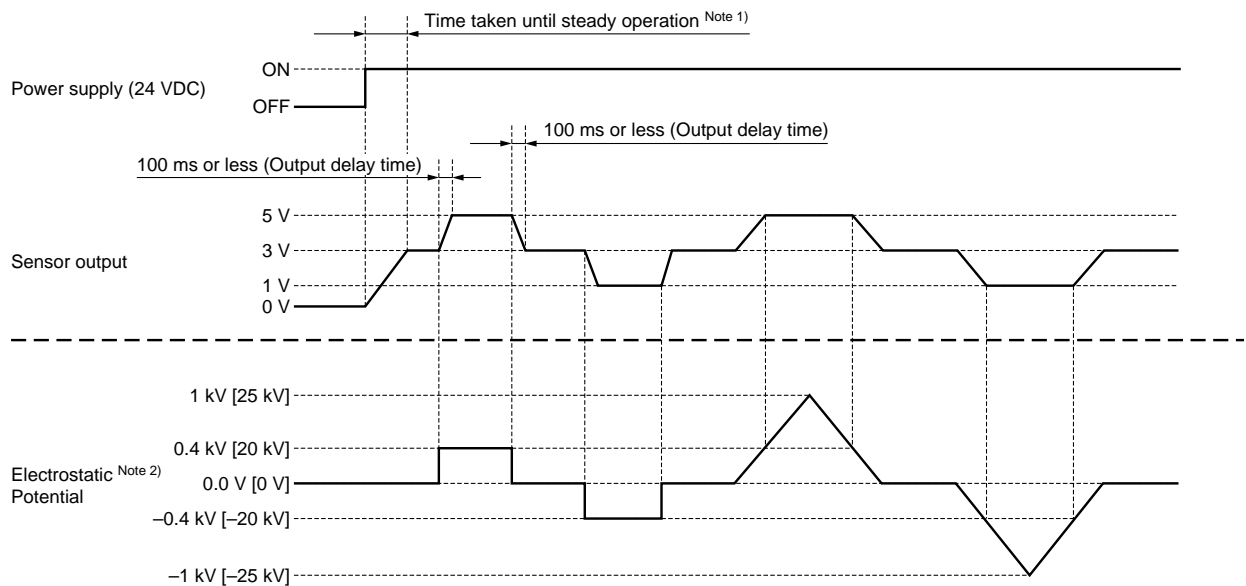


Installation distance (mm)	Min. installation clearance (mm)
10	20
20	40
25	45
30	55
40	65
50	75
60	90
70	100
75	105

- 3. Use the electrostatic sensor where there is no equipment nearby that generates electric or magnetic fields.**  
The electrostatic sensor is susceptible to electric and magnetic fields for reasons of its operating principle. If there are any current-carrying cables, transformers or radio equipment near the sensor head, the sensor may fail to correctly detect static electricity.

## Timing Chart

The following is a timing chart where the installation distance (from the object being measured) of the electrostatic sensor is assumed to be 25 mm. (The installation distance is 50 mm for the IZD10-510.)



Note 1) The sensor is ready for operation approximately one second after power-on but may provide unsteady readings. It is therefore recommended that the sensor be used more than 10 minutes after power-on.

Note 2) The values are for the IZD10-110, while values in [ ] are for the IZD10-510.





# Series IZE11 Electrostatic Sensor Monitors Precautions

Be sure to read this before handling. Refer to back page 1 for Safety Precautions.

## Electrostatic Sensor Monitor

### Operating Environment

#### Warning

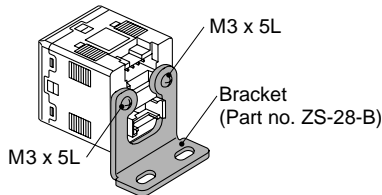
1. Our electrostatic sensor monitor are CE marked; however, they are not equipped with surge protection against lightning. Lightning surge countermeasures should be applied directly to system components as necessary.
2. Our electrostatic sensor monitor do not have an explosion proof rating. Never use in the presence of an explosive gas as this may cause a serious explosion.

### Mounting

#### Caution

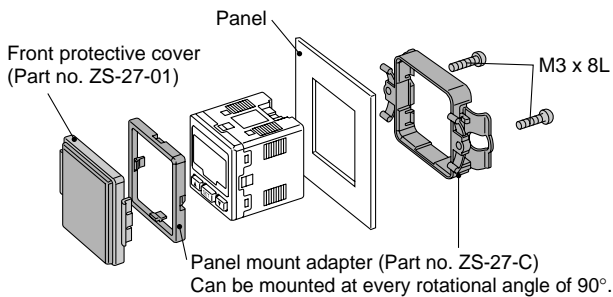
##### 1. Mounting with bracket

Mount a bracket to the body using two M3 x 5L mounting screws. Tightening torque for bracket mounting screw should be 0.5 to 0.7 N·m.



##### 2. Mounting with panel mount adapter

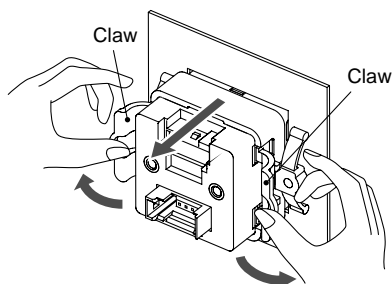
Mount a panel mount adapter using two M3 x 8L mounting screws.



##### 3. When removing the panel mount adapter

To remove the electrostatic sensor monitor with a panel mount adapter from user equipment, first remove the two mounting screws, then push the clips outward as shown in the figure and pull the monitor back towards you.

Removing the monitor otherwise may damage the monitor and/or the panel mount adapter.

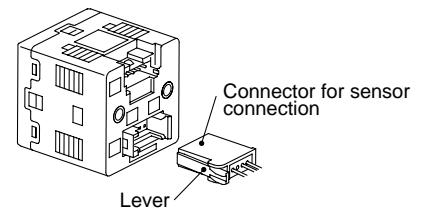


### Wiring

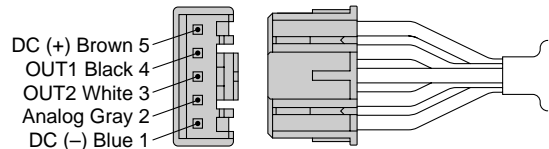
#### Caution

##### 1. Connection / Removal of Connector

- Insert the connector straight while pinching the lever, and then push the lever into the jack of the housing and lock it.
- Pull the connector straight out while applying pressure with your thumb to the lever and unhooking it from the jack.



##### 2. Connector pin no. of connection cable for power supply / output



### Setting

#### Warning

##### 1. If not correctly set to the option specified for the connected sensor, the monitor will fail to display correct electrostatic potentials.

When initially setting up the monitor or connecting a sensor to the monitor, always make sure that the selected option and the electrostatic sensor agree with each other.

\* The monitor is factory-set to the  $\pm 0.4$  kV option.






**EUROPEAN SUBSIDIARIES:**

**Austria**

SMC Pneumatik GmbH (Austria).  
Girakstrasse 8, A-2100 Korneuburg  
Phone: +43 2262-62280, Fax: +43 2262-62285  
E-mail: office@smc.at  
http://www.smc.at


**France**

SMC Pneumatique, S.A.  
1, Boulevard de Strasbourg, Parc Gustave Eiffel  
Bussy Saint Georges F-77607 Mame La Vallée Cedex 3  
Phone: +33 (0)1-6476 1000, Fax: +33 (0)1-6476 1010  
E-mail: contact@smc-france.fr  
http://www.smc-france.fr


**Netherlands**

SMC Pneumatics BV  
De Ruyterkade 120, NL-1011 AB Amsterdam  
Phone: +31 (0)20-5318888, Fax: +31 (0)20-5318880  
E-mail: info@smcpneumatics.nl  
http://www.smcpneumatics.nl


**Spain**

SMC España, S.A.  
Zuazobidea 14, 01015 Vitoria  
Phone: +34 945-184 100, Fax: +34 945-184 124  
E-mail: post@smc.smces.es  
http://www.smces.es


**Belgium**

SMC Pneumatics N.V./S.A.  
Nijverheidsstraat 20, B-2160 Wommelgem  
Phone: +32 (0)3-355-1464, Fax: +32 (0)3-355-1466  
E-mail: post@smcpneumatics.be  
http://www.smcpneumatics.be


**Germany**

SMC Pneumatik GmbH  
Boschring 13-15, D-63329 Egelsbach  
Phone: +49 (0)6103-4020, Fax: +49 (0)6103-402139  
E-mail: info@smc-pneumatik.de  
http://www.smc-pneumatik.de


**Norway**

SMC Pneumatics Norway A/S  
Vollsveien 13 C, Granfos Næringspark N-1366 Lysaker  
Tel: +47 67 12 90 20, Fax: +47 67 12 90 21  
E-mail: post@smc-norge.no  
http://www.smc-norge.no


**Sweden**

SMC Pneumatics Sweden AB  
Ekhagsvägen 29-31, S-141 71 Huddinge  
Phone: +46 (0)8-603 12 00, Fax: +46 (0)8-603 12 90  
E-mail: post@smcpneumatics.se  
http://www.smc.nu


**Bulgaria**

SMC Industrial Automation Bulgaria EOOD  
16 Kliment Ohridski Blvd., fl.13 BG-1756 Sofia  
Phone: +359 2 9744492, Fax: +359 2 9744519  
E-mail: office@smc.bg  
http://www.smc.bg


**Greece**

SMC Hellas EPE  
Anagenniseos 7-9 - P.C. 14342, N. Philadelphia, Athens  
Phone: +30-210-2717265, Fax: +30-210-2717766  
E-mail: sales@smchellas.gr  
http://www.smchellas.gr


**Poland**

SMC Industrial Automation Polska Sp.z.o.o.  
ul. Poloneza 89, PL-02-826 Warszawa,  
Phone: +48 22 211 9600, Fax: +48 22 211 9617  
E-mail: office@smc.pl  
http://www.smc.pl


**Switzerland**

SMC Pneumatik AG  
Dorfstrasse 7, CH-8484 Weisslingen  
Phone: +41 (0)52-396-3131, Fax: +41 (0)52-396-3191  
E-mail: info@smc.ch  
http://www.smc.ch


**Croatia**

SMC Industrijska automatika d.o.o.  
Cromerac 12, 10000 ZAGREB  
Phone: +385 1 377 66 74, Fax: +385 1 377 66 74  
E-mail: office@smc.hr  
http://www.smc.hr


**Hungary**

SMC Hungary Ipari Automatizálási Kft.  
Budafoki út 107-113, H-1117 Budapest  
Phone: +36 1 371 1343, Fax: +36 1 371 1344  
E-mail: office@smc.hu  
http://www.smc.hu


**Portugal**

SMC Sucursal Portugal, S.A.  
Rua de Engº Ferreira Dias 452, 4100-246 Porto  
Phone: +351 22-610-89-22, Fax: +351 22-610-89-36  
E-mail: postpt@smc.smces.es  
http://www.smces.es


**Turkey**

Entek Pnömatik San. ve Tic Ltd. Sti.  
Perpa Tic. Merkezi Kat: 11 No: 1625, TR-80270 Okmeydanı Istanbul  
Phone: +90 (0)212-221-1512, Fax: +90 (0)212-221-1519  
E-mail: smc-entek@entek.com.tr  
http://www.entek.com.tr


**Czech Republic**

SMC Industrial Automation CZ s.r.o.  
Hudcova 78a, CZ-61200 Brno  
Phone: +420 5 414 24611, Fax: +420 5 412 18034  
E-mail: office@smc.cz  
http://www.smc.cz


**Ireland**

SMC Pneumatics (Ireland) Ltd.  
2002 Citywest Business Campus, Naas Road, Saggart, Co. Dublin  
Phone: +353 (0)1-403 9000, Fax: +353 (0)1-464-0500  
E-mail: sales@smcpneumatics.ie  
http://www.smcpneumatics.ie


**Romania**

SMC Romania srl  
Str Frunzei 29, Sector 2, Bucharest  
Phone: +40 213205111, Fax: +40 213261489  
E-mail: smcromania@smcromania.ro  
http://www.smcromania.ro


**UK**

SMC Pneumatics (UK) Ltd  
Vincent Avenue, Crownhill, Milton Keynes, MK8 0AN  
Phone: +44 (0)800 1382930 Fax: +44 (0)1908-555064  
E-mail: sales@smcpneumatics.co.uk  
http://www.smcpneumatics.co.uk


**Denmark**

SMC Pneumatik A/S  
Knudsminde 4B, DK-8300 Odder  
Phone: +45 70252900, Fax: +45 70252901  
E-mail: smc@smc-pneumatik.dk  
http://www.smc.dk.com


**Italy**

SMC Italia S.p.A  
Via Garibaldi 62, I-20061 Carugate, (Milano)  
Phone: +39 (0)2-92711, Fax: +39 (0)2-9271365  
E-mail: mailbox@smcitalia.it  
http://www.smcitalia.it


**Russia**

SMC Pneumatik LLC.  
4B Sverdlovskaja nab, St. Petersburg 195009  
Phone: +7 812 718 5445, Fax: +7 812 718 5449  
E-mail: info@smc-pneumatik.ru  
http://www.smc-pneumatik.ru


**Estonia**

SMC Pneumatics Estonia OÜ  
Laki 12-101, 106 21 Tallinn  
Phone: +372 (0)6 593540, Fax: +372 (0)6 593541  
E-mail: smc@smcpneumatics.ee  
http://www.smcpneumatics.ee


**Latvia**

SMC Pneumatics Latvia SIA  
Smerla 1-705, Riga LV-1006  
Phone: +371 781-77-00, Fax: +371 781-77-01  
E-mail: info@smclv.lv  
http://www.smclv.lv


**Slovakia**

SMC Priemyselna Automatizácia, s.r.o.  
Námestie Matina Benku 10, SK-81107 Bratislava  
Phone: +421 2 444 56725, Fax: +421 2 444 56028  
E-mail: office@smc.sk  
http://www.smc.sk


**Finland**

SMC Pneumatics Finland Oy  
PL72, Tiistinniityntie 4, SF-02231 ESPOO  
Phone: +358 207 513513, Fax: +358 207 513595  
E-mail: smcfi@smc.fi  
http://www.smc.fi


**Lithuania**

SMC Pneumatics Lietuva, UAB  
Oslo g.1, LT-04123 Vilnius  
Phone: +370 5 264 81 26, Fax: +370 5 264 81 26


**Slovenia**

SMC industrijska Avtomatika d.o.o.  
Mirnska cesta 7, SL-8210 Trebnje  
Phone: +386 7 3885412 Fax: +386 7 3885435  
E-mail: office@smc.si  
http://www.smc.si


**OTHER SUBSIDIARIES WORLDWIDE:**

ARGENTINA, AUSTRALIA, BOLIVIA, BRASIL, CANADA, CHILE,  
CHINA, HONG KONG, INDIA, INDONESIA, MALAYSIA, MEXICO,  
NEW ZEALAND, PHILIPPINES, SINGAPORE, SOUTH KOREA,  
TAIWAN, THAILAND, USA, VENEZUELA

<http://www.smceu.com>  
<http://www.smcworld.com>