

## IEC Appliance Connector C14 with Line Switch 2-pole



C14  
  
 70° C

**Description**

- Panel Mount:  
Screw-on version from front or rear side, snap-in version from front side
- 2 Functions:  
Inlet Protection class I, Line switch 2-pole
- Quick connect terminals 4.8 x 0.8 mm
- Alternative: version with line filter [KFB2](#)
- We recommend for new applications the new type [DC11](#)

**Approvals**

- VDE License Number: 40021945
- UL License Number: E96454
- CSA License Number: 38456

**Characteristics**

- All single elements are already wired  
Unwired versions available on request
- Line switch non-illuminated or illuminated

**Other versions on request**

- Unwired versions
- Line switch with other rocker marking
- For protection class II

**Weblinks**

[Approvals](#), [RoHS](#), [CHINA-RoHS](#), [e-Store](#), [SCHURTER-Stock-Check](#), [Distributor-Stock-Check](#)

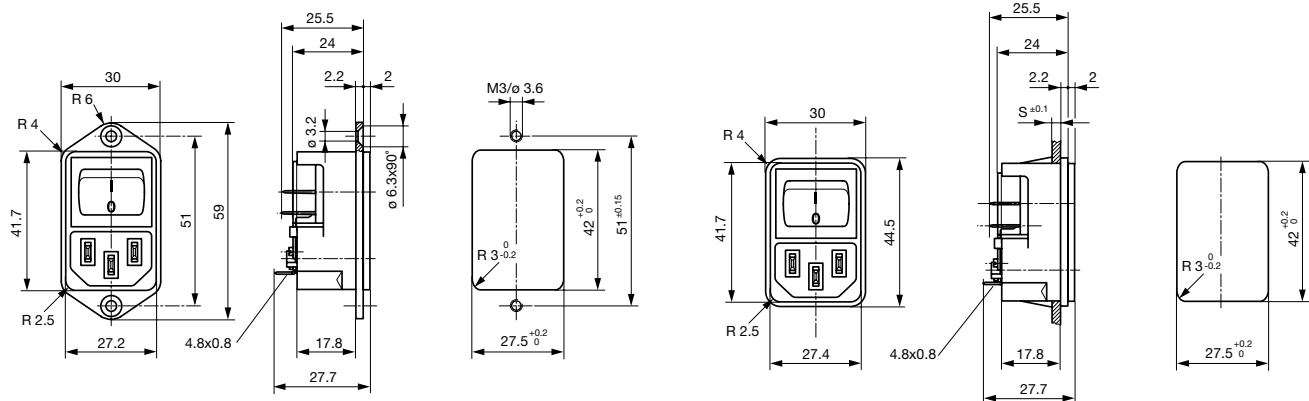
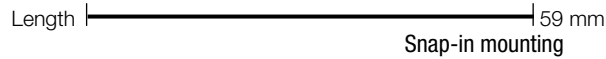
**Technical Data**

Ratings IEC	10A / 250VAC; 50Hz
Ratings UL/CSA	15A / 250VAC; 60Hz
Dielectric Strength	> 2.5kVAC between L-N > 3kVAC between L/N-PE (1 min/50Hz)
Allowable Operation Temp.	-25°C to 70°C
Degree of Protection	from front side IP 40 acc. to IEC 60529
Protection Class	Suitable for appliances with protection class I acc. to IEC 61140
Terminal	Quick connect terminals 4.8 x 0.8 mm
Panel Thickness s	Screw-on: max 6 mm Mounting screw torque max 0.5Nm Snap-in: 1.5/2/2.5 mm
Material: Housing	Thermoplastic, black, UL 94V-0

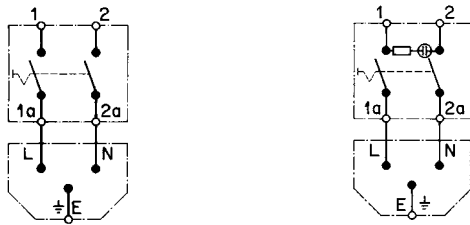
Appliance-Inlet /-Outlet	C14 acc. to IEC/EN 60320-1, UL 498, CSA C22.2 no. 42 (for cold condition) pin-temperature 70 °C, 10A, Protection class I
Line Switch	Rocker switch 2-pole, non-illuminated or illuminated, acc. to IEC 61058-1 <a href="#">Technical details</a>

## Dimensions

Screw-on mounting



## Diagrams



non-illuminated

illuminated

## Variants

[Distributor-Stock-Check](#) | [SCHURTER-Stock-Check](#) | [e-Store](#)

with internal connections

Panel mounting	Panel Thickness s [mm]	Illumination	Rated voltage 125/250 [V]	Color	Order Number
Snap-in	1.5	●	250	red	4302.2102
Snap-in	1.5	●	250	green	4302.2142
Snap-in	2	●	250	red	4302.2103
Snap-in	2	●	250	green	4302.2143
Snap-in	2.5	●	250	red	4302.2104
Snap-in	2.5	●	250	green	4302.2144
Snap-in	1.5	-	-	-	4302.2002
Snap-in	2	-	-	-	4302.2003
Snap-in	2.5	-	-	-	4302.2004
Screw-on	-	●	250	red	4302.2101
Screw-on	-	●	250	green	4302.2141
Screw-on	-	-	-	-	4302.2001

## Packaging unit

50 Pcs

Accessory

Description



Assorted Covers  
Rear Cover

0859.0075



Cord retaining kits  
Cord retaining strain relieve

Flat head, A

4700.0001