

Acoustic alarms 110 dB (A) / 105 dB (A)



DS 10 / DS 5

The sounders of type DS 10 / DS 5 were designed to meet industrial demands for robust operation and can be used as an all-round warning device. Suitable for both indoor and outdoor use these sounders can generate up to 31 different sounds using the on board switch inside the device. As an option 3 more sounds are available using an external controller.

In addition to the factory settings the sound combinations can be programmed at will on site. Special editions for particular jobs are also available.

IP 66 Protective system	IP 67 Protective system	EN 54-3 Approval for fire alarm
+55 °C -25 °C Operational temperature	+70 °C -40 °C Storage temperature	90% Relative humidity
		VdS G28609 Association of property insurers

Acoustic data:

Type	DS 5	DS 10
Sound level	105 dB(A)	110 dB(A)

Electrical data: **AC** 50 Hz / 60 Hz

Nominal voltage	Electrical data	DS 5	DS 10
230 V	Voltage range: Rated current: Power consumption:	195 V... 253 V 0,03 A 8 VA	195 V... 253 V 0,06 A 15 VA
115 V	Voltage range: Rated current: Power consumption:	95 V... 127 V 0,06 A 8 VA	95 V... 127 V 0,12 A 15 VA
24 V	Voltage range: Rated current: Power consumption:	19 V... 29 V 0,28 A 7 W	19 V... 29 V 0,42 A 10,5 W

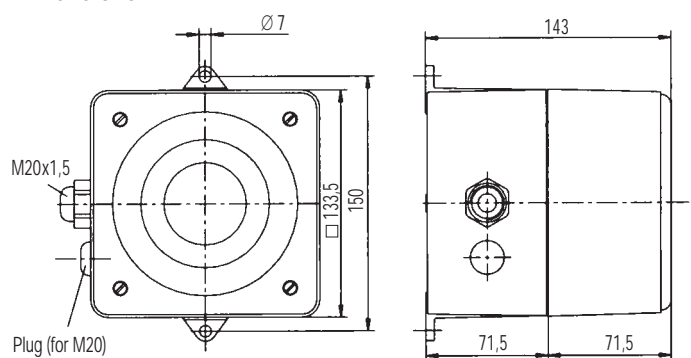
Electrical data: **DC** 50 Hz / 60 Hz

Nominal voltage	Electrical data	DS 5	DS 10
12 V	Voltage range: Rated current: Power consumption:	10 V... 15 V 0,28 A 3,4 W	10 V... 15 V 0,30 A 4 W
24 V	Voltage range: Rated current: Power consumption:	19 V... 29 V 0,28 A 6,7 W	19 V... 29 V 0,42 A 10,1 W
48 V	Voltage range: Rated current: Power consumption:	41 V... 53 V 0,28 A 13,5 W	41 V... 53 V 0,42 A 20,2 W

Mechanical data:

Model	DS 5	DS 10
Duty cycle	100%	
Cable entry	2 x M20 (1x brass cable gland, chromated, 1x brass plug, chromated)	
Uninsulated connection length	8 - 12 mm	
Size of cable connector	max. 2,5 mm ²	
Weight	DC: 1,95 kg / AC: 2,15 kg	
Installation	do not point the sounding horn in an upward direction	
Surface coating	hypoxy resin RAL 3000, flame-red	
Material	cast aluminium GD-AI Si12 Cu	

Dimensions:



Supplementary data:

Operational temperature	-25 °C ... +55 °C
Storage temperature	-40 °C ... +70 °C
Protective system	IP 66 / IP 67
Environmental protection class according to EN 54-3	type B
Protective class	I
Approvals	VdS: G28609, GL: 30457-83-HH, UL: 57256

Special version:

External sound pattern selection (2 variants) for controlling several sound patterns over long distances:
1. for all voltages = potential free shut-off function
2. for 12V/24 V = voltage connection



Sound patterns DS 10 / DS 5

Basic tone No.	DIP-Switch						Description – basic tone (default: tone-No. 1)	Stage 2	Stage 3	Stage 4	
	1	2	3	4	5	6					
0							No tone	1	5	4	
1				x			Unified emergency signal DIN 33 404, part 3		3	2	4
2			x				Audible emergency evacuation signal acc. to ISO 8021		1	4	3
3			x	x			Alternating tone		1	2	4
4		x					Continuous tone		1	3	5
5		x	x				Interrupted tone		1	4	3
6		x	x				Siren		1	4	9
7		x	x	x			French fire sound - NFS32-001 -		3	10	4
8	x						Swedish imminent - SS 031711 -		2	3	4
9	x			x			Electromechanical horn		1	3	4
10	x	x					Continuous tone		27	9	26
11	x	x	x				Continuous tone - Bayer -		1	17	9
12	x	x					Continuous tone		27	9	26
13	x	x	x				Continuous tone		1	5	3
14	x	x	x				Continuous tone		1	4	10
15	x	x	x	x			Interrupted tone		1	24	12
16	x						Interrupted tone		1	24	15
17	x			x			Interrupted tone - Bayer -		1	11	9
18	x			x			Interrupted tone		19	7	4

Basic tone No.	DIP-Switch						Description – basic tone (default: tone-No. 1)	Stage 2	Stage 3	Stage 4	
	1	2	3	4	5	6					
19	x			x	x		Alternating tone		27	13	23
20	x		x				Interrupted tone IMO SOLAS III/50 + SOLAS III/6.4		9	21	26
21	x		x		x		Interrupted tone - leave ship -		20	9	26
22	x		x	x			Sweep up sawtooth with gap		19	14	2
23	x		x	x	x		Siren		27	12	2
24	x	x					Alternating tone		1	16	12
25	x	x			x		Alternating tone		1	14	5
26	x	x		x			Alternating tone		4	9	27
27	x	x		x	x		Siren		13	23	19
28	x	x	x				Siren		7	10	4
29	x	x	x		x		Siren - Hoechst -		1	30	9
30	x	x	x	x			Interrupted tone		1	4	26
31	x	x	x	x	x		Siren - NF C 48-265 -		3	14	4
32*	0	0	0	0	0	x	Choice of available tone combinations in stage 2, 3 and 4				

Approvals on request:



Zone 2 + 22

Sample order:	Model: DS 10	Voltage: 24 VDC	Sound level: 110 dB (A)	Colour: RED	Special version: external alarm tone selection	Approval: EN 54-3
----------------------	-----------------	--------------------	----------------------------	----------------	---	----------------------

Conformity to standard:

DIN EN 54-3: 2001	Fire detection and fire alarm systems – Part 3: Fire alarm devices; Sounders	DIN IEC 60326-3: 1993	Printed boards; design and use of printed boards
EN 50130-4: 1996	Immunity requirements for components of fire, intruder and social alarm systems	DIN EN 457: 1992	Machine safety – acoustic alarm signals (ISO 7731 modified)
EN 61000-6-2: 2002	EMC, Immunity for industrial environments	DIN 33404/3: 1982	Danger signals for work places - unified emergency signal
EN 61000-6-3: 2002	EMC, Emission standard for residential commercial and light-industrial environments	ISO 8201: 1987	Evacuation alarm
EN 55022: 2001	Information technology equipment - Radio disturbance characteristics, class B	DIN EN 981: 1997	System of acoustic / visual alarm signals and information signals
EN 60947-1: 2003	Low-voltage switchgear and controlgear - general rules	ISO 11429: 1996	System of acoustic / visual alarm signals and information signals
EN 60529: 2000	Degrees of protection provided by enclosures (IP-Code)		