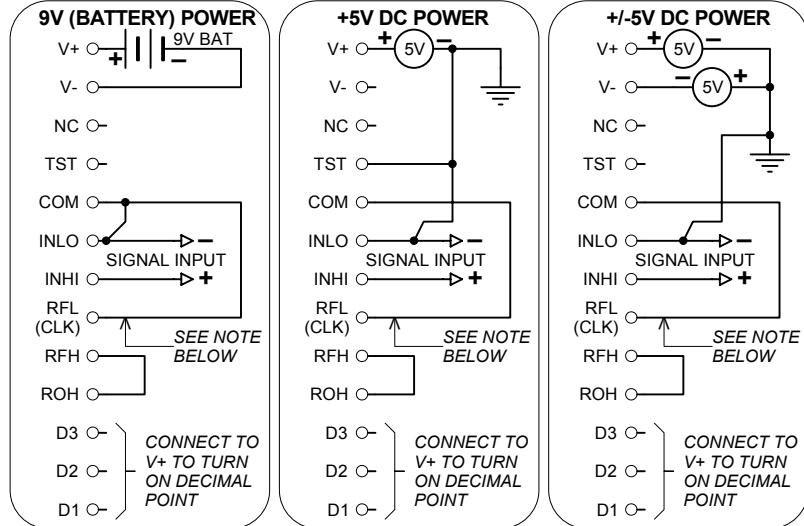
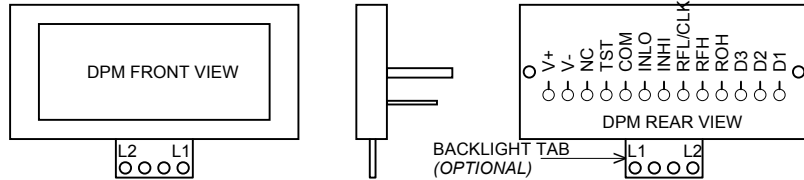


13-PIN DPM CONNECTIONS



- NOTES:
- DO NOT MAKE THE CONNECTION BETWEEN "COM" & "RFL" ON DPMs WITH HOLD OPTION.
 - INPUT MUST BE ISOLATED FROM SUPPLY ON 9V POWER DPM.
 - INPUT COMMON MODE RANGE IS +/- 2 V MAX. ON +/-5V & +5V POWERED DPMs.
 - DO NOT SOLDER TO .025" PINS

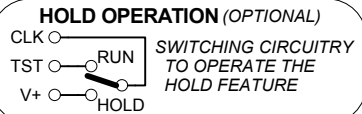
PIN	TERMINAL DESCRIPTION
V+	POSITIVE DPM POWER SUPPLY
V-	NEG PWR SUPPLY FOR 9V & +/- 5V DPMS
NC	NO CONNECTION
TST	NEG PWR SUPPLY FOR +5V DPMS
COM	ANALOG COMMON
INLO	NEGATIVE INPUT SIGNAL (-)
INHI	POSITIVE INPUT SIGNAL (+)
CLK	HOLD INPUT (OPTIONAL)
RFL	NEGATIVE DIFFERENTIAL REFERENCE INPUTS
RFH	POSITIVE DIFFERENTIAL REFERENCE INPUTS
ROH	ON BOARD REFERENCE OUTPUT
D3	1XX.X
D2	1X.XX
D1	1.XXX
	DECIMAL POINT

BACKLIGHT POWER CONNECTIONS (OPTIONAL)

Solder on front tab.

BACKLIGHT COLOR	SUPPLY CONNECTIONS	
	POSITIVE (+)	NEGATIVE (-)
RED	L1	L2
GREEN	L2	L1

- NOTES:
- Check DPM P/N for correct voltage.
 - The backlight power is separate from the DPM power. To reduce noise the returns of the supplies should be connected together.



PANEL CUTOUTS

