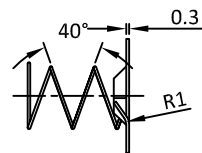
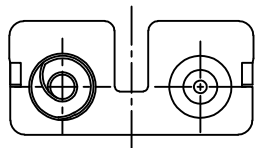
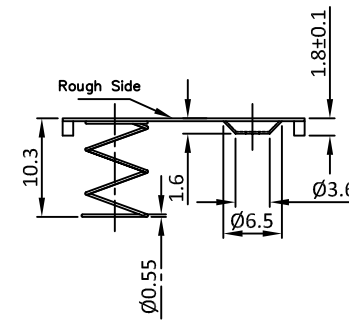
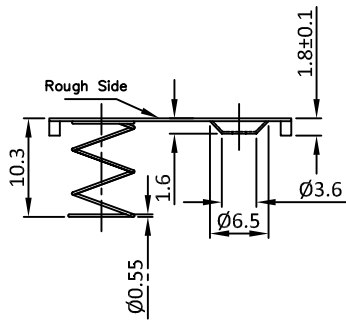
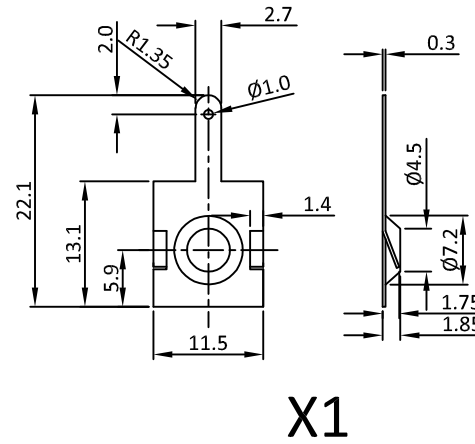
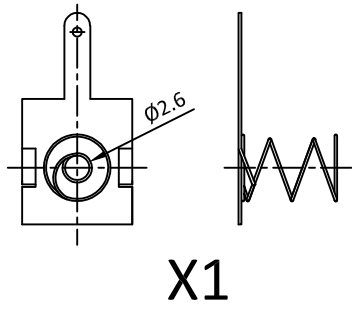
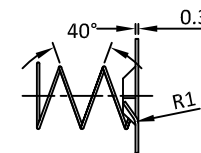
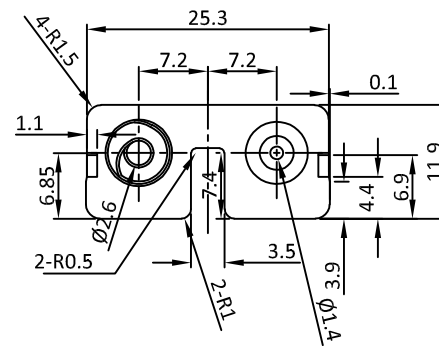


Note: RND 455-00906 kit includes five parts



X2



X1